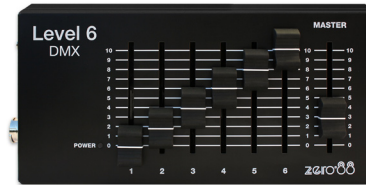


Features

- 6 Channel Manual Lighting Console
- Single preset operation
- Grand Master
- DMX Control
- Rugged case
- Power LED
- Dimensions: 46mm (H) x 222mm (W) x 110mm (D)
- Weight: 0.9Kg / 2.0lb



Overview

Level 6 DMX is designed to be a simple and intuitive small lighting desk, making it ideal for DMX control applications as diverse as schools, meeting rooms and museums.

Featuring six channel faders and an overall master – the Level 6 DMX is convenient for hand held operation or alternatively fixed to a wall. Direct fader control also makes it useful for simple control of 2 RGB colour mixing groups or even used for testing and proving DMX control. A localised power supply is included in the package.

Quality you can trust

40 Years of Lighting Passion

- | | | |
|---------------------------|------------------------------|------------------------------|
| ✓ 3 years warranty | ✓ Real people to help you | ✓ Multilingual training team |
| ✓ On-line training videos | ✓ Downloadable web resources | ✓ Support forum |
| ✓ Free software upgrades | ✓ ISO 9001:2008 Certified | |

Ordering Information

Level 6 DMX (UK PSU): 00-629-11
 Level 6 DMX (Schuko PSU): 00-629-21

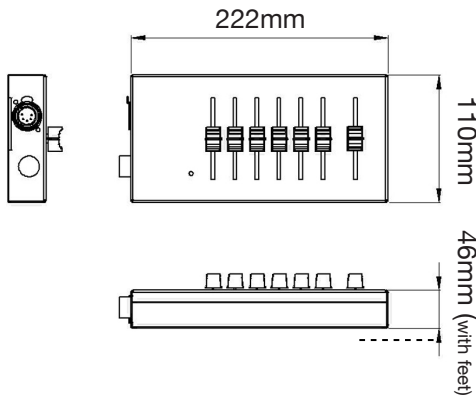
Supplied Accessories

Power Supply
 Operating Manual

Specifications

- Control Channels: 6
- Channel Faders: 6
- Grand Master Faders: 1
- Power Supply (external): 100-240VAC, 47-63Hz, IEC320-C14 mains inlet connector. Lead with DIN4 connector to desk
- DMX Output: DMX512 via 5 pin female XLR connector
- Dimensions: 53mm(H) x 222mm(W) x 110mm(D)
- Weight: 0.87 Kg
- Operating Temperature: +5°C to +40°C
- Humidity: 5% to 95% Non condensing

Dimensions



	Voltage	100V	<input type="checkbox"/>	220 - 240V NON CE	<input checked="" type="checkbox"/>	Standards
		110 - 127V	<input type="checkbox"/>	277V	<input type="checkbox"/>	
		230V CE	<input checked="" type="checkbox"/>	347V	<input type="checkbox"/>	

This product conforms to one or more of the above standards. Please contact your local Cooper Controls representative for further information.

Zero 88

Cooper Controls Ltd, Usk House, Lakeside,
 Llantarnam Park, Cwmbran, Torfaen, NP44 3HD, UK.
 Tel : +44 (0)1633 838088 Fax : +44 (0)1633 867880
 E-mail: enquiries@zero88.com Web: www.zero88.com