

TL-A220



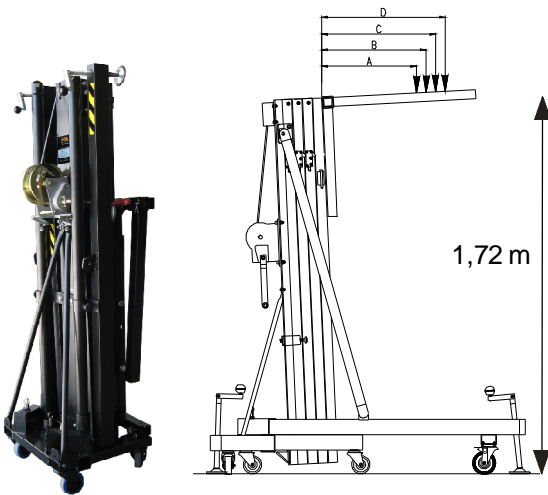
Line Array Lift with Auto-lock security system

TECHNICAL SPECIFICATIONS

Maximum height	5.5m (18')
Maximum load	220kg (485lb)
Work surface	2.1 x 1.6m (6.9 x 5.2')
Folded height	1.72m (5.6')
Weight	95kg (209lb)
Winch	900kg
Adaptor	Forks

Distance from the center of the load to the towerlift	Maximum load
-------------------------------------------------------	--------------

A	50 cm	220 Kg
B	55 cm	200 Kg
C	60 cm	183 Kg
D	65 cm	169 Kg



Intl. Tel.: +34 961 22 15 21
Tel.: 902 34 10 34 - Fax: + 34 961 22 11 77
Web:www.vmb.es - E-mail: contact@vmb.es

