

# TL-075



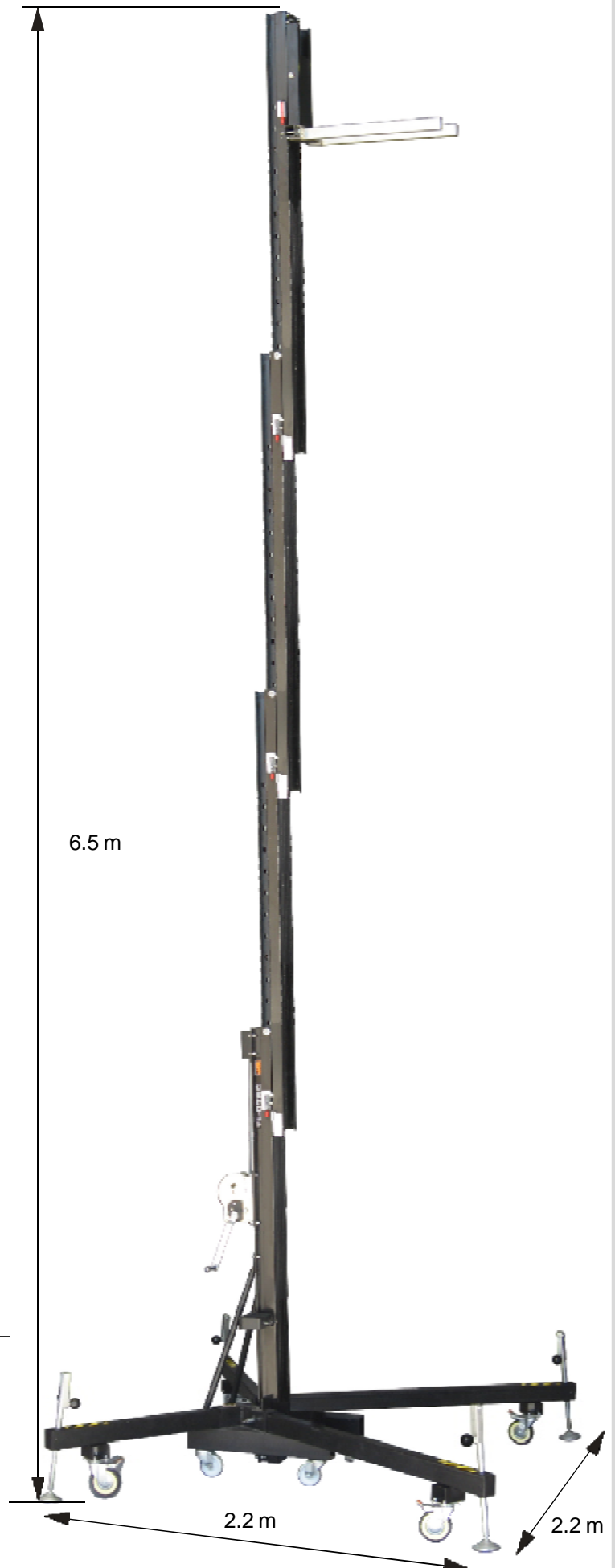
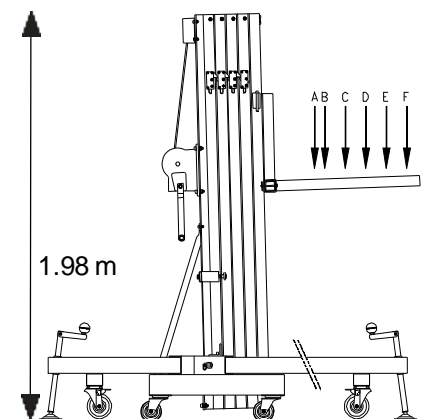
Front load aluminium towerlift with ALS security.

## TECHNICAL SPECIFICATIONS

Maximum height	6.5m (21.3')
Maximum load	300kg (661lb)
Work surface	2.2 x 2.2m (7.2 x 7.2')
Folded height	1.98m (6.5')
Weight	179kg (395lb)
Winch	1200kg
Adaptor	Forks

Distance from the center of the load to the towerlift	Maximum load
---	--------------

A	30 cm	300 Kg
B	40 cm	253 Kg
C	50 cm	219 Kg
D	60 cm	193 Kg
E	70 cm	174 Kg
F	80 cm	155 Kg



Intl. Tel.: +34 961 22 15 21  
Tel.: 902 34 10 34 - Fax: + 34 961 22 11 77  
Web: [www.vmb.es](http://www.vmb.es) - E-mail: [contact@vmb.es](mailto:contact@vmb.es)