

TL-072



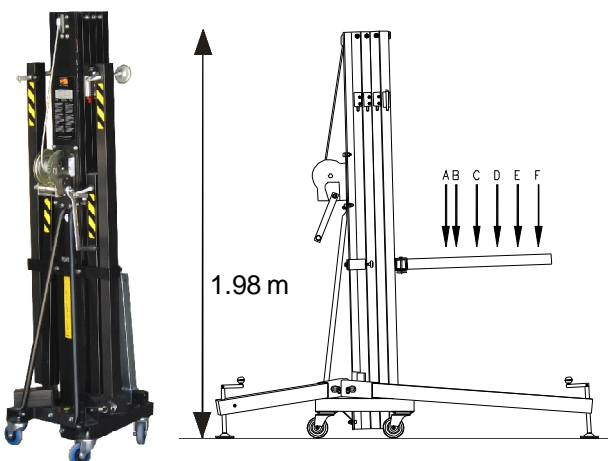
Front load aluminium towerlift with ALS security.

TECHNICAL SPECIFICATIONS

Maximum height	6.5m (21.3')
Maximum load	240kg (529lb)
Work surface	2.2 x 2.2m (7.2 x 7.2')
Folded height	1.98m (6.5')
Weight	114kg (251lb)
Winch	900kg
Adaptor	Forks

Distance from the center of the load to the towerlift	Maximum load
---	--------------

A	25 cm	240 Kg
B	30 cm	208 Kg
C	40 cm	156 Kg
D	50 cm	125 Kg
E	60 cm	104 Kg
F	70 cm	89 Kg



Intl. Tel.: +34 961 22 15 21
Tel.: 902 34 10 34 - Fax: + 34 961 22 11 77
Web: www.vmb.es - E-mail: contact@vmb.es

