

TL-056



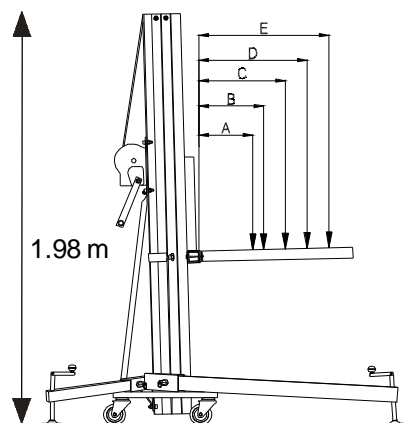
Front load aluminium towerlift with ILS security

TECHNICAL SPECIFICATIONS

Maximum height	6.5m (21.3')
Maximum load	200kg (441lb)
Work surface	2 x 2m (6.6 x 6.6')
Folded height	1.98m (6.5')
Weight	94.5kg (208lb)
Winch	900kg
Adaptor	Forks

Distance from the center of the load to the towerlift	Maximum load
---	--------------

A	25 cm	200 Kg
B	30 cm	180 Kg
C	40 cm	150 Kg
D	50 cm	128 Kg
E	60 cm	112 Kg



Intl. Tel.: +34 961 22 15 21
Tel.: 902 34 10 34 - Fax: + 34 961 22 11 77
Web: www.vmb.es - E-mail: contact@vmb.es

