



Moodspot WD2400



TDE-lighttech has developed a new LED spot to complement the existing Moodspot range. Moodspot WD2400 incorporates Warm Dimming technology, allowing you to gradually emit a warmer light as you dim down from 3000K~2000K.

Due to the highly efficient LED driver technology, the Moodspot WD2400 is capable of dimming smooth and flicker free down to 0%, replicating everything you love about halogen style dimming, but with all the energy saving and longevity benefits LED lighting has to offer. The Moodspot WD2400 offers an excellent CRI of above 95 (CRI > 95), ensuring vivid colours and realistic skin tone.

Features

Warm Dimming
3000K-2000K

High CRI
CRI > 95

Perfect dimmable
100-0%

Lifespan
50.000+ hours

Technical specifications

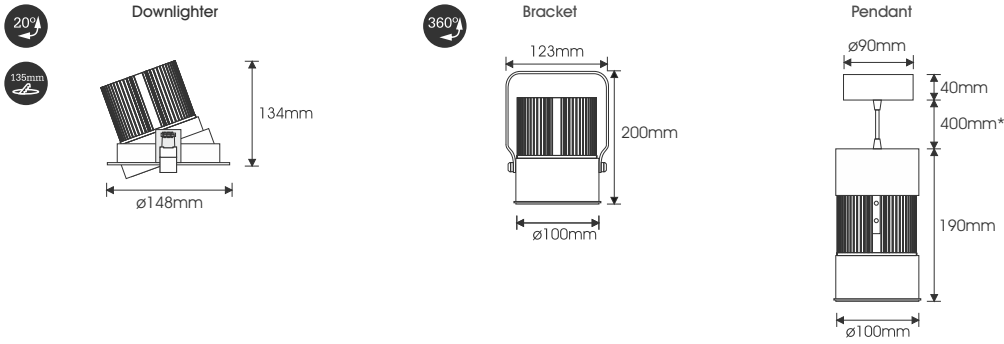
LED	Colour temperature: Colour rendering: Colour variation: Lumen output	3000K~2000K Ra > 95 / R9 > 90 3 MacAdam Ellipse 3000 lumen (3000K)
Power	Maximum forward voltage: Maximum current: Consumption:	36VDC CLASS 2 INPUT ONLY 950mA 34,2 Watt
Accessories	Flanges: Flange colours:	Round White / Black
Miscellaneous	Material: Lifespan: Lenses: IP-Rating: Certifications: Versions: Pendant cable: Warranty:	Aluminium + PMMA > 50.000 hour L80 [10K] 13° / 20° / 35° / 45° IP20 cMETus - E114112 Glow-wire test 2033673.01 Pendant / Recessed / Bracket Two core with reinforced steel 5 years
Control	External driver options:	Mains dimmable / IZI-Link / DMX512





Moodspot WD2400

Dimensions



*other length available on special request

Order Code

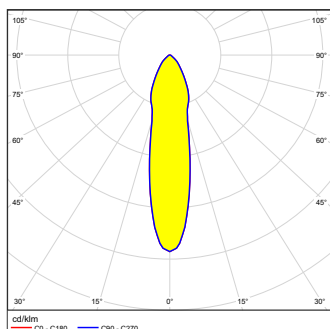
- MO.WD.24.R.W - WD2400 Recessed Moodspot; White; excl. driver;
- MO.WD.24.R.B - WD2400 Recessed Moodspot; Black; excl. driver;
- MO.WD.24.B.B - WD2400 Bracket Moodspot; Black; excl. driver;
- MO.WD.24.PB - WD2400 Pendant Moodspot; Black; excl. driver;
- MO.WD.24.T.B - WD2400 Track Moodspot; Black; incl. mains dimmable driver

Order Code Accessoires

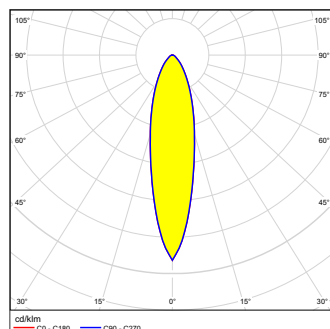
- MO2.20.13 - Lens 13° for Moodspot TW2000/WD2400
- MO2.20.20 - Lens 20° for Moodspot TW2000/WD2400
- MO2.20.35 - Lens 35° for Moodspot TW2000/WD2400
- MO2.20.45 - Lens 45° for Moodspot TW2000/WD2400

Photometric data

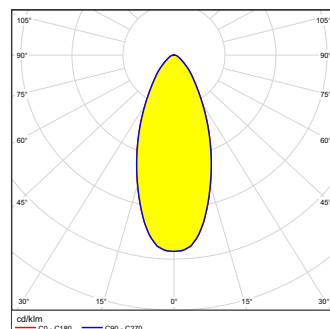
Polar chart 13° optic



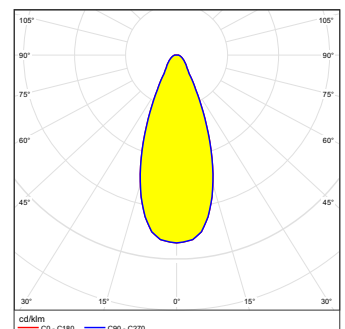
Polar chart 20° optic



Polar chart 35° optic



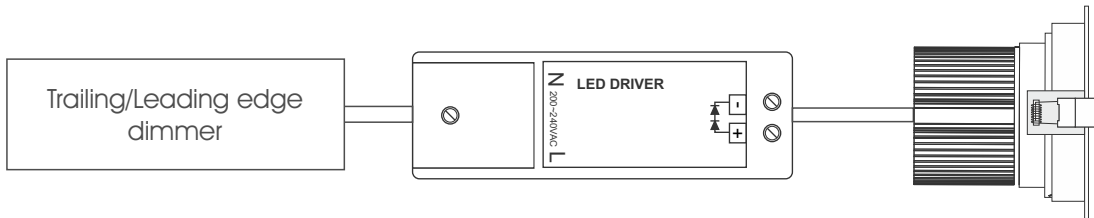
Polar chart 45° optic





Moodspot WD2400

Mains dimmable driver (Option 1)



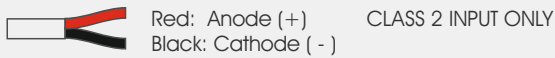
External constant current driver (Option 2)

Specially designed drivers have been developed to ensure flickerfree dimming and unique features in dimming range up to 0%. Check out our website for more information about suitable LED drivers.

Use min 90°C supply conductors when connecting to the WD2400 led spot.

Only use power supplies which can deliver a constant current of no more than 1000mA and with a minimum forward voltage of 40VDC

The WD2400 led spot is prepared with a two wired cable.

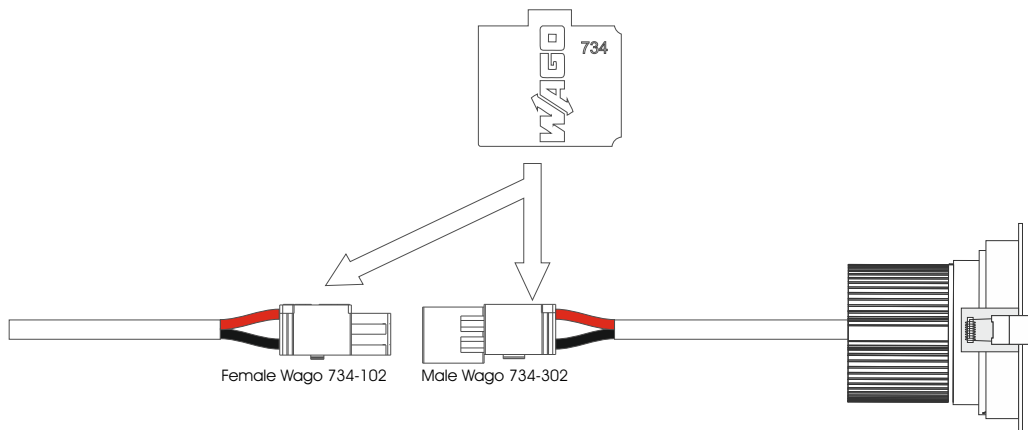


CAUTION:

To prevent the risk of fire/electric shock use only a LISTED/CERTIFIED Class 2 LED driver

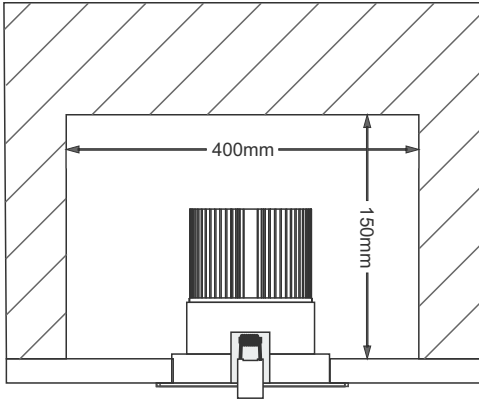
Connector connection

The WD2400 does not come supplied with a connector. A connector set can be supplied on request. When supplied with a connector set, connection will be as followed:





Minimum Spacings Downlight



Luminaire not suitable for covering with thermal insulating materials.
Allow air to flow freely around fixture.