

Castor Single Colour



The Castor LED spot is an exceptionally high performance recessed down lighter. It is a premium quality solid state lighting product precisely engineered and manufactured with state of the art technologies and materials.

The Castor can be used in residential and commercial markets and in combination with our LED drivers the Castor LED spot is perfectly dimmable.

Features

Housing

Small design

Low power consumption

5,5 Watt

Perfect dimmable

100-0%

Lifespan

50.000+ hours

Technical specifications

LED

Colour temperature:	2700K*
Colour rendering:	CRI>90
Lumen output:	540 lumen

Power

Power:	24VDC
Consumption:	5,5 Watt
Efficiency LED driver:	>90%

Accessories

Flanges:	Round / Square
Flange colours:	White / Black

Miscellaneous

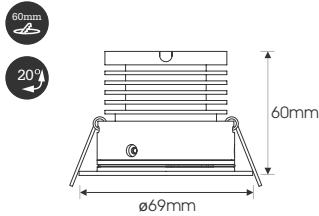
Material:	Aluminium + PMMA
Lifespan:	50.000 hour
Lenses:	16° / 22° / 36° / 44°

*Other colour temperatures available on request



Castor Single Colour

Dimensions



Wiring

Use min 90°C supply conductors when connecting to the Castor led spot.

Only use power supplies which can deliver a constant dc-voltage between 21~24VDC.

The Castor led spot is prepared with a two wired cable.



Order Code

CA.27.R.W - Castor Recessed Adjustable Downlighter; 2700K; Round Flange White
CA.27.R.B - Castor Recessed Adjustable Downlighter; 2700K; Round Flange Black

Order Code Optics

CCCC.S.16 - Lens 16° for Castor
CCCC.S.22 - Lens 22° for Castor
CCCC.S.36 - Lens 36° for Castor
CCCC.S.44 - Lens 44° for Castor

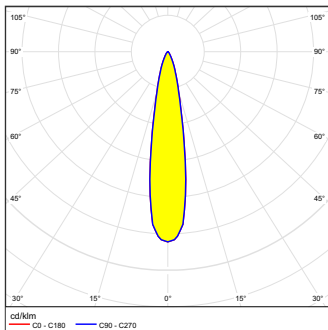
Order Code Accessoires

CA.F.RO.W - White flange for Castor round*
CA.F.RO.B - Black flange for Castor round*

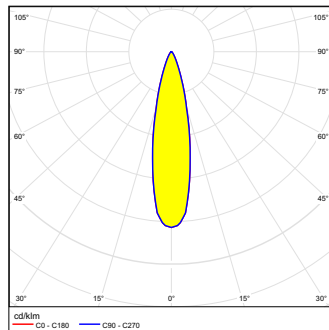
*Different flange colours available on special request

Photometric data

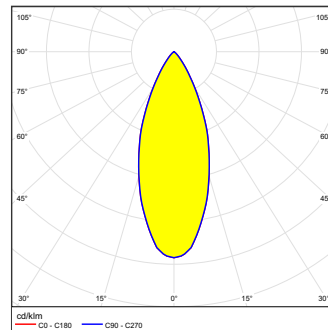
Polar chart 16° optic



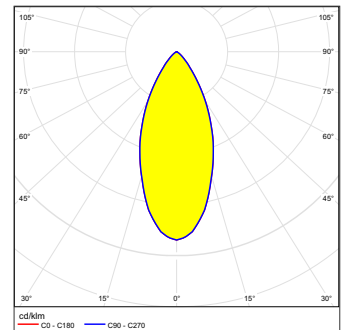
Polar chart 22° optic



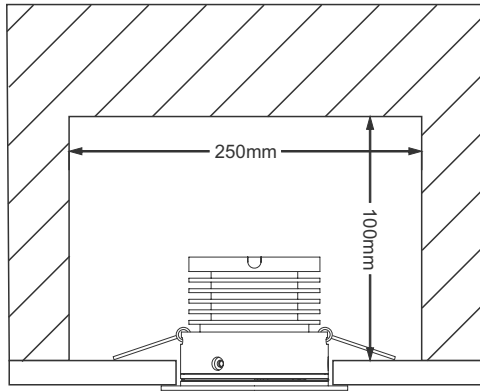
Polar chart 36° optic



Polar chart 44° optic



Minimum Spacings



Luminaire not suitable for covering
with thermal insulating materials.
Allow air to flow freely around fixture.