

USER MANUAL

SWIT Electronics Co.,Ltd.

Tel:+86-25-85805753
 Fax:+86-25-85805296
 http://www.swit.cc
 E-mail: contact@swit.cc

Thank you for choosing SWIT products. Please read the instructions before using, and keep it for future reference.

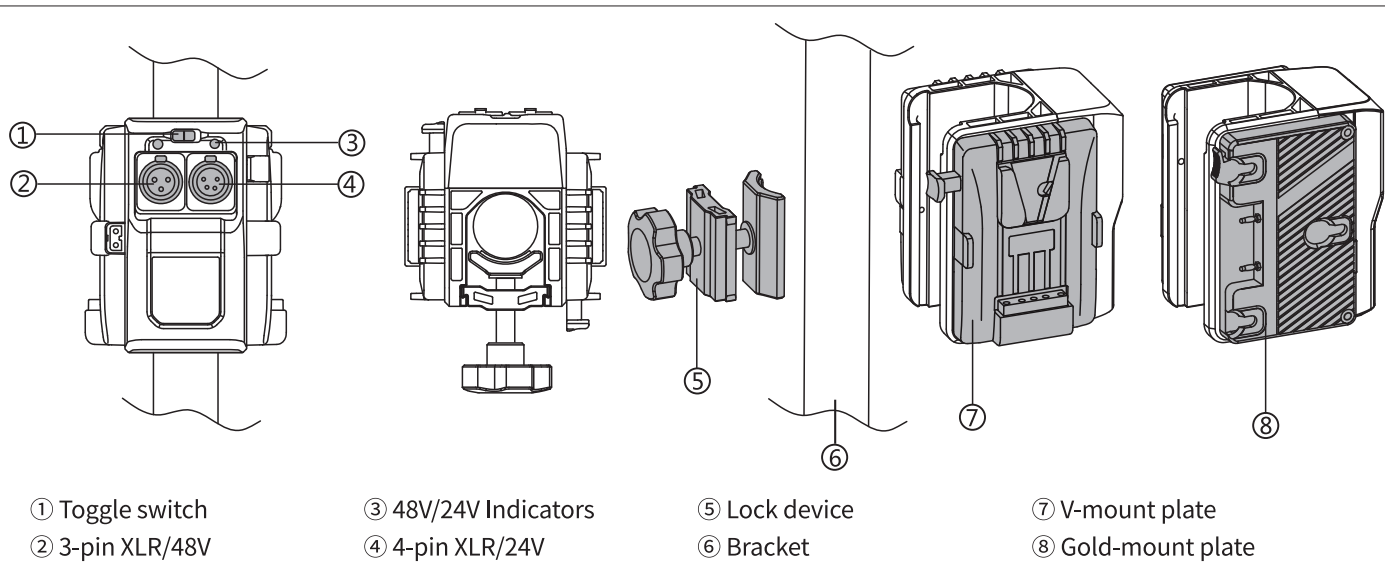
Warning

- Keep away from the rainwater.
- Please keep the electrode clean and do not short circuit between the electrodes.
- Please confirm the power of the electrical equipment to meet the battery specifications.
- Please install the adaptor on the bracket reliably to prevent serious damage caused by falling.

Features

- Compatible with SWIT ordinary battery and dual-voltage battery, with the maximum output of 48V/10.4A (500W) when using SWIT PB-H260S.
- Compatible tripod with 25mm~45mm diameter.
- Small size, High power.
- Symmetrical design, more stable.

Appearance



Specifications

Model	TD-R210S/A		
Output interface	3-pin XLR		4-pin XLR
Input voltage range	11.5~16.8V	23~33.6V	11.5~33.6V
Maximum output	240W、 48V/5A	500W、 48V/10.4A	240W、 24V/10A
Working temperature	-20—40°C		
Net weight	0.9kg		
Dimension	127 x 104 x 93 mm		

Notice:

1. Recommend to use the battery with same model and same power.
2. Only with SWIT PB-H260A/S can output 48V/500W.
3. When mount other batteries, the maximum output power is the maximum output power of the adaptor or the sum of the output power of the two batteries (Take smaller value) .

Specifications

1. The adaptor needs to mount two batteries at the same time.
2. Indicator: ○ “Off” ● “On” ☀ “Flash”

Indicators status during using

48V 24V ● ○	Single channel is always on, the current channel is normal.
☀ ☀	The two indicators flashing means the adaptor is working abnormally, such as over temperature protection, over current protection and short circuit protection. Please unplug all batteries and cables, and wait for the adaptor to cool down or reload the battery to recover automatically.
☀ ○	Single indicator flashing, low battery power, please replace the battery as soon as possible.
○ ○	Battery runs out.