



## S-4607 SDI / Optical Fiber Bi-directional Converter

# USER MANUAL

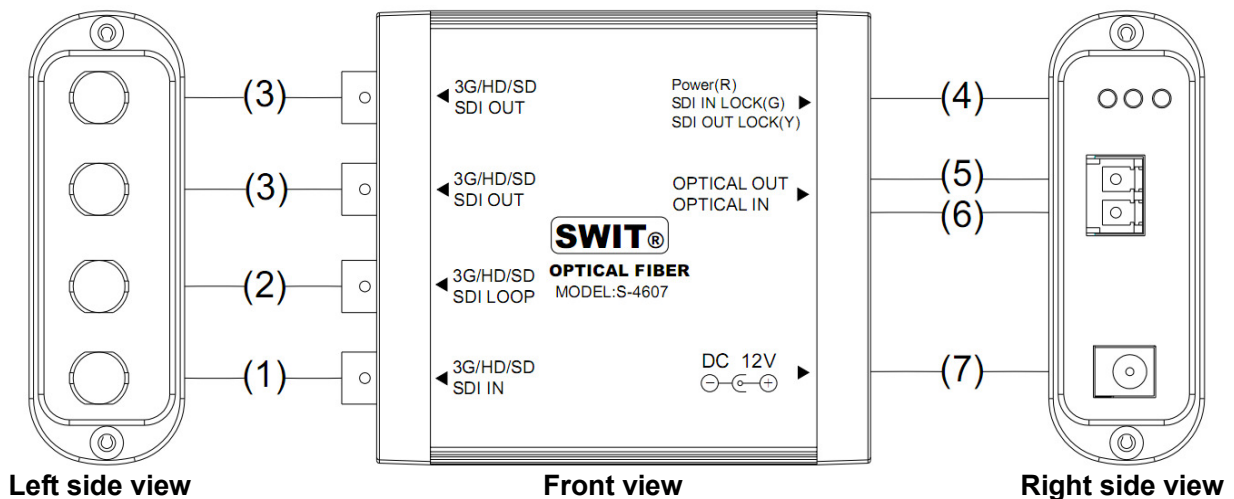
SWIT Electronics Co., Ltd.

Tel:+86-25-85805753  
Fax:+86-25-85805296  
<http://www.swit.cc>  
E-mail: [contact@swit.cc](mailto:contact@swit.cc)

## 1. Characteristics

- ◆ Portable full-duplex bi-directional 3G/HD/SD-SDI and Optical Fiber converter
- ◆ Single-mode optical fiber, max 20km reliable transmission
- ◆ Support hot swap of optical module
- ◆ Heavy duty housing, with bottom screw threads for installing

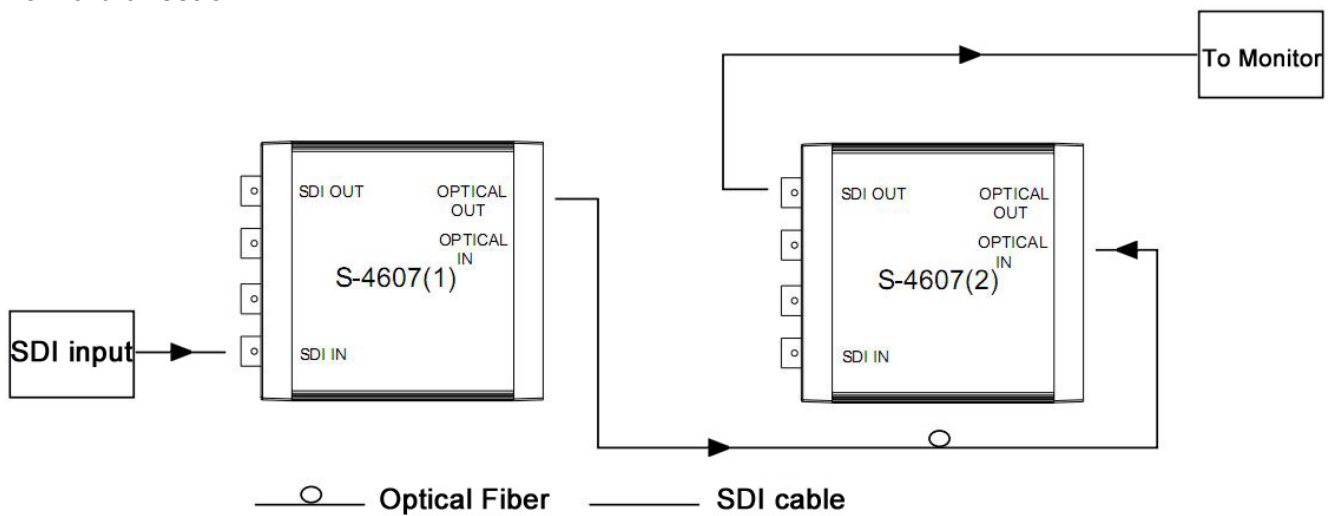
## 2. Product View



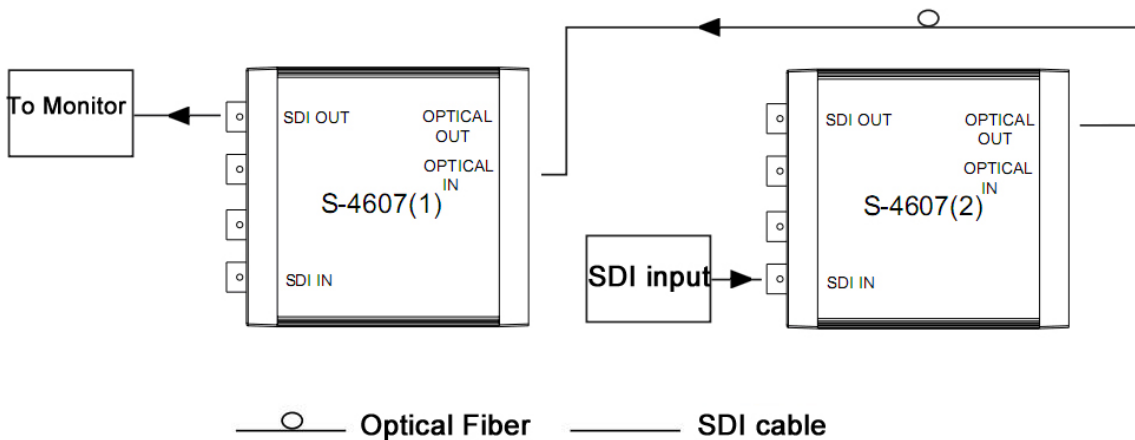
- (1) **SDI IN:** 3G/HD/SD-SDI input (BNC)
- (2) **SDI LOOP:** 3G/HD/SD-SDI loop through output (BNC)
- (3) **SDI OUT:** 3G/HD/SD-SDI convert output x2 (BNC)
- (4) **LED status indicator**
- (5) **OPTICAL OUT:** Optical fiber convert output (LC)
- (6) **OPTICAL IN:** Optical fiber input (LC)
- (7) **DC 12V:** 5.5mm pole DC input

### 3. Working Flow

Forward direction:



Reverse direction:

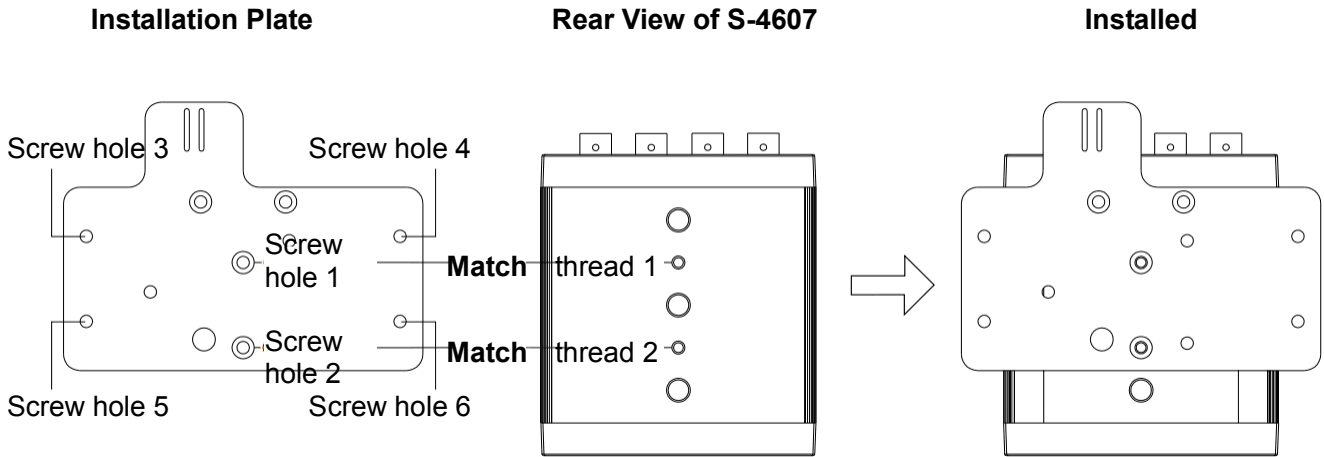


Remark: The S-4607 bi-directional conversions work simultaneously.

### 4. LED status Indicators

- (1) Power (Red): Power indicator
- (2) SDI IN LOCK (Green): SDI input indicator, lights on when there's SDI input recognized
- (3) SDI OUT LOCK (Yellow): SDI output indicator, lights on when there's SDI output recognized

## 5. Installation Plate



Match the screw holes 1&2 with the threads 1&2 of S-4607, and fix the installation plate to the S-4607 by the supplied screws.

The screw holes 3, 4, 5, 6 are used to install the converter to wall or racks.

## 6. Specifications

Model	S-4607	
Input	3G/HD/SD SDI×1 OPTICAL×1	
Output	3G/HD/SD SDI loop out ×1, OPTICAL convert out ×1 3G/HD/SD SDI convert out ×2	
SDI Format	SMPTE-425M	1080p (60/59.94/50)
	SMPTE-274M	1080p (30/29.97/25/24/23.98)
		1080i (60/59.94/50)
	SMPTE-296M	720p (60/59.94/50)
	ITU-R BT.656	576i (50)
	SMPTE-125M	480i (59.94)
Optical connector	LC	
Transmission distance	20km	
Wavelength	Input: 1310nm; Output: 1260nm~1580nm	
Power consumption	≤4W	
Working voltage	DC 6-18V	
Working environment	Temperature: 0°C -+70°C, Humidity:10%-90%	
Dimension	98×84×29 mm	
Net weight	200g	

## 7. Maintenance

1. Please do not disassemble the product by yourself.
2. Keep the product away from rain or moisture.
3. Please use the provided power adapter and if you use third party power adapter, please make sure the voltage range, supplied power, and polarity of power lead are fit.