

SWIT®

Chip-Array LED On-Camera Light S-2060

Ver: A

USER MANUAL

SWIT Electronics Co.,Ltd.

Tel:+86-25-85805753
Fax:+86-25-85805296
http://www.swit.cc
E-mail: contact@swit.cc

Congratulations on your purchase of this product. Please read this user manual carefully.

Features

- ◆ New generation chip-array LED technology, outputs bright but soft & glareless light
- ◆ CRI 97 high color rendering index, comparable to the halogen light
- ◆ 60° wide beam angle, equally spread light, no visible lighting edge and single shadow
- ◆ 1300Lux @ 1 meter, 10%-100% dimmable
- ◆ By focusing lens, the center brightness of 1 meter can reach 4000Lux
- ◆ Color temperature 2700K-5600K continuously adjustable
- ◆ 6V-17V wide input voltage
- ◆ Bayonet mount removable barn doors, interchange with color filter or diffuser cover
- ◆ Cold shoe/ screw-thread installation
- ◆ All metal barn doors, glass fiber housing, strong and durable

Product view

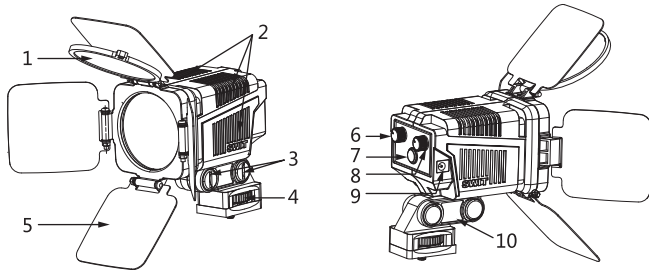


Fig 1

Fig 2

- 1.Focusing lens
- 2.Cooling vent
- 3.Connecting rod fastening bolt
- 4.Screw mount base
- 5.Barn door
- 6.Color temperature adjusting knob
- 7.Switch on/off
- 8.Illumination adjusting knob
- 9.DC-IN
- 10.Connecting rod

Caution

1. Never attempt to open the device. Refer all servicing to qualified personnel.
2. Never insert anything into the cooling vent to avoid damage or short circuit.
3. Keep the light away from rain or moisture.
4. Please do not stare at the turned on LED light.
5. Keep the filters clean.
6. When powering through DC-IN socket by D-tap cable, please make sure the power supply's voltage and power meet the light input requirements.
7. Working temperature: -10°C~40°C
8. Keep the cooling vent clear to avoid damage.

Clean

Use a soft, dry cloth to clean the LED light. If you clean the light with soft cloth slightly moistened with neutral detergent, please dry the surface of the light with a soft, dry cloth. Do not use a damp cloth or alcohol, gasoline and other solvents of any kind.

Specification

Input	DC 6V~17V
Power Consumption	Approx. 30W
Illumination @ 1meter	Approx. 1300 lux (without focusing lens) Approx. 4000 lux (with focusing lens)
Beam Angle	Approx. 60° (without focusing lens) Approx. 23° (with focusing lens)
Color Temperature	2700K~5600K continuous
Color Rendering Index	CRI 97
Working Temperature	-10°C~+40°C
Weight	Approx. 530g
Dimension	Approx. 120 x 86 x 121mm

Packing List

	Packing details	Quantity
1	LED light	× 1
2	Cold-shoe connector	× 1
3	D-tap power cable (S-7104)	× 1
4	User manual	× 1
5	Warranty card	× 1
6	Portable bag	× 1

Usage

1. Power the light

- ① Please Make sure the light is switched off (turn the switch to "O"). Plug the pole end of S-7104 into the DC-IN socket. Plug the D-tap end of S-7104 to the camera auxiliary power tap or the battery' s D-tap output socket, which the voltage and power meet the requirements of S-2060 LED light.
- ② For third-party DC cables, please make sure the DC connector is 5.5/2.1mm pole and input voltage should be 6-17V; and inner: positive, Outer: negative.

Note: It is normal phenomena that the illumination decreases when the power supply is lower than 12V.

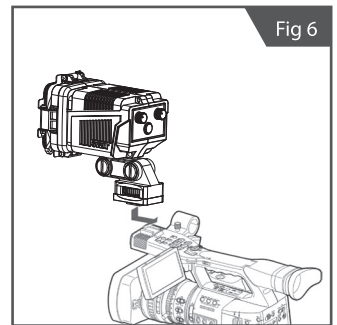
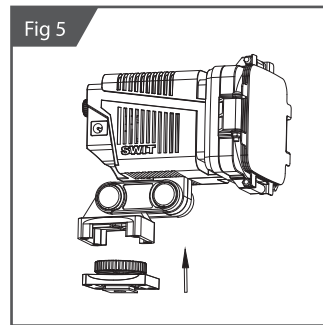
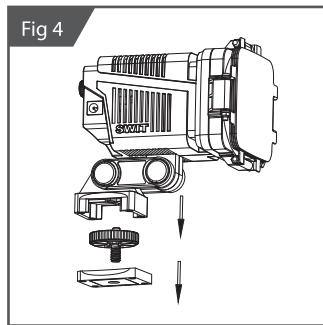
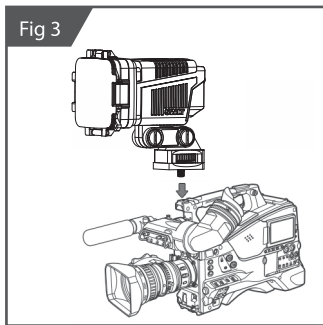
2. Fix the LED light to the camera

• By 1/4" screw mount

S-2060 is equipped with screw mount base as default, and can be directly installed on 1/4" thread handle. (Fig 3)

• By Cold shoe

- ① Unscrew the 4 screws and take down the screw mount base from the light. (Fig 4)
- ② Install the supplied cold shoe base onto the light.(Fig 5)
- ③ Anticlockwise revolve the fasten knob, and loose the cold shoe slice, then install onto the camera cold shoe slot, and fasten the knob to finish. (Fig 6)



3. Tilt the light angle

Hold the light body, and adjust the angle up and down with the connecting rod. (Fig 7)

Note: If the connecting rod is loosen, clockwise revolve the fasten knob to fasten it.

4. Adjust the illumination

Revolve the illumination adjusting knob to adjust the illumination from 10% to 100%.

5. Use focusing lens

Using focusing lens will increase the center illumination to 4000Lux @ 1meter, meanwhile, the beam angle will decrease to 23°. (Fig 8)

6. Adjust color temperature

Revolve the Color temperature adjusting knob to continuously change the color temperature from 2700K to 5600K.

7. Disassemble barn door

Revolve the barn door according to the direction of the arrow to take it down. (Fig9)

Align the arrow on the barn door to the Installation mark of S-2060 light body and press the barn door; revolve the barn door again according to the direction of the arrow to assemble it. (Fig10)

