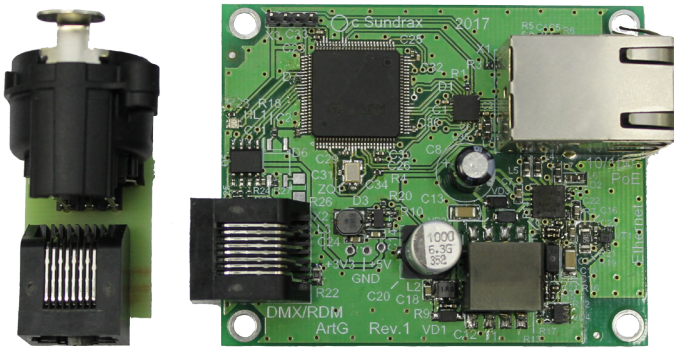


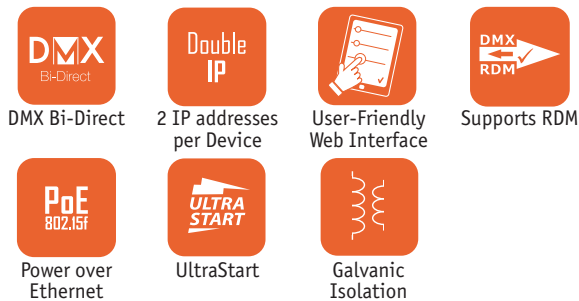
ArtGate Compact OEM

Bidirectional converter, booster, intelligent merger

Version: 2.03
11 Aug 2017



OEM board for integration into your fixtures and installations. ArtGate Compact OEM converts DMX512 to ArtNet/sACN in both directions. Various merging modes available: HTP, LTP, AUTO, PRIORITY, OVERLAY. Comes with optional RJ-45 to XLR output adapter. Compatible with any hardware and software supporting ArtNet and sACN protocols. Configuration is performed through web-based management page. Available as non-OEM package to be integrated into stage floors or wall sockets.



Advantages

- Minimum loading time, fastest recovery after short power failure
- Master IP that never gets lost
- Galvanic isolation
- Simple user-friendly web interface
- Configurable DMX port direction

Application

Convert DMX512 into ArtNet and sACN protocols in both directions to transmit DMX data through Ethernet LAN

Transmit more DMX streams with less cables

Lighting control and management through single Ethernet network

Convert mapped video content from mapping software into DMX streams

Ensure interfacing between modern stage lighting software and DMX lighting

Real-time control of video projectors and laser units supporting ArtNet or sACN from DMX console

Merging Options

HTP: highest takes precedence

LTP: latest takes precedence

AUTO: last modified takes precedence – intelligent merging mode that provides availability to manage installation from two consoles simultaneously

OVERLAY: merges custom slots from two ArtNet/sACN streams, fully customized through web interface

PRIORITY: for sACN streams with priority tag, console with the highest priority for a given Universe will be in charge

ArtGate Compact OEM

Bidirectional converter, booster, intelligent merger

Technical Specifications

Mechanical

- Housing: No (OEM)
- Dimensions, mm: 67(D) x 26(H) x 53(W)
- Mass: 0.1 kg
- Mounting: Stage equipment, lighting fixtures, etc.

Power & Electrical

- Power supply: PoE
- Input Power (max): 1 W

Environmental

- Operating Temperature: 0...+60°C
- Storage Temperature: -50...+70°C
- Operating Relative Humidity (max): 95%
- IP Rating: IP 20
- Certification: CE, RoHS
- Warranty: 36 Month (Return to base)

Control / Data Connections

- Supported protocols: ArtNet I, II, III, IV/ sACN, DMX512, RDM
- Data update rate: 44 Hz

Inputs / Outputs

- DMX ports: 1
- DMX connectors: RJ-45 with optional XLR (M or F) (3 pin, 5 pin)
- Ethernet port: 10/100 Base-TX
- Ethernet connectors: RJ-45

Configuration / Indication

- Setup: Web interface
- Indication: LEDs for DMX and Ethernet activity

Package Contents

- ArtGate Compact OEM

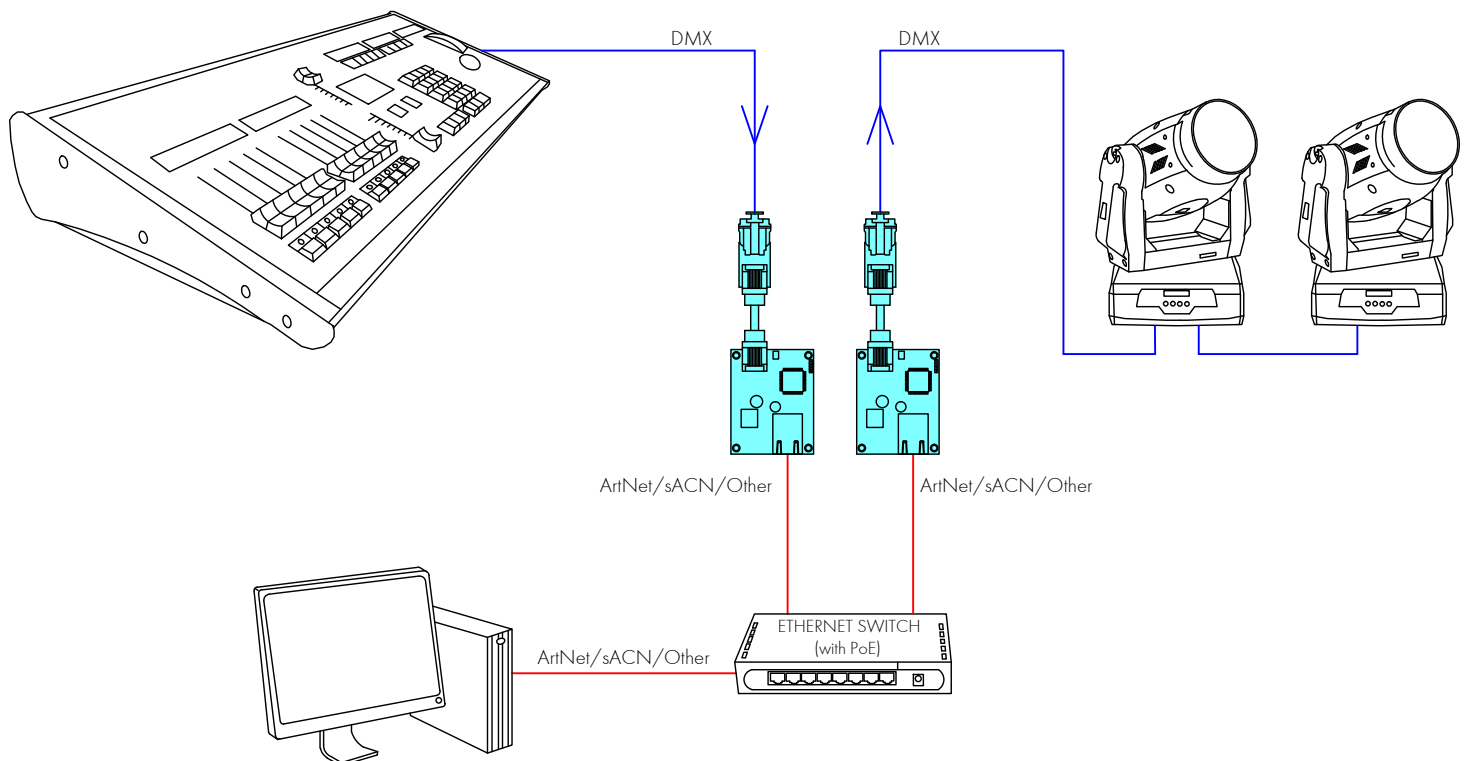
Product Line

Name	Modification	Product code
ArtGate Compact OEM	1 DMX input / output (3-pin), 1 Ethernet port	AGC-3-DE-OEM
	1 DMX input / output (5-pin), 1 Ethernet port	AGC-5-DE-OEM

ArtGate Compact OEM

Bidirectional converter, booster, intelligent merger

Connection Scheme



Disclaimer

To the best of our knowledge, the technical data contained herein is true and accurate at the date of issuance and is subject to change without prior notice. No liability accepted for errors or omissions. Always make sure to use the most recent release and contact Sundrax Electronics to verify correctness before placing your order.