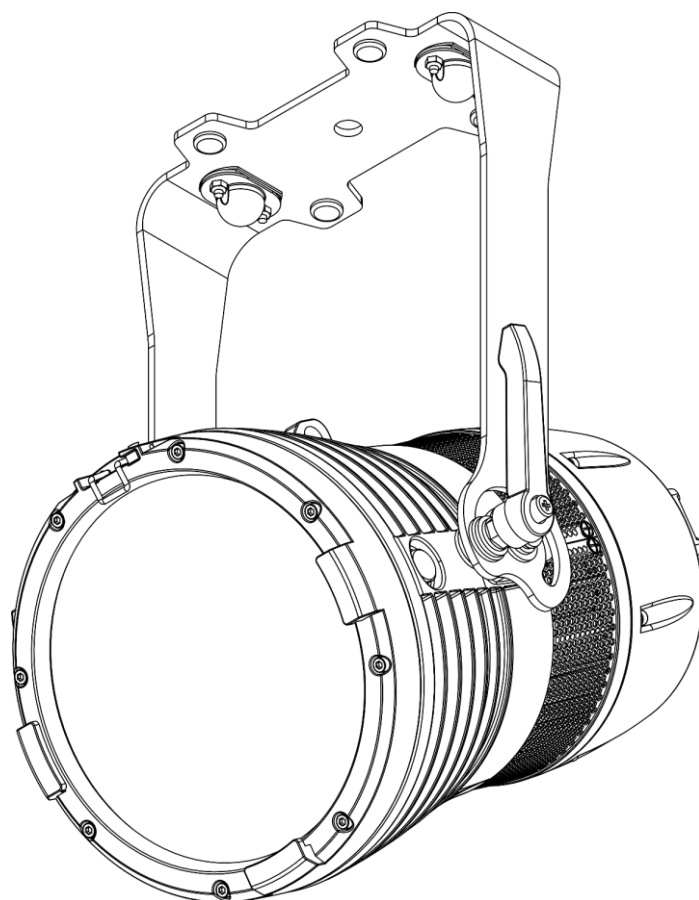




## USER MANUAL



ENGLISH

# Spectral Revo UV IP65

# V1

Product code: 43641

## Preface

---

Thank you for purchasing this Showtec product.

The purpose of this user manual is to provide instructions for the correct and safe use of this product.

Keep the user manual for future reference as it is an integral part of the product. The user manual shall be stored at an easily accessible location.

This user manual contains information concerning:

- Safety instructions
- Intended and non-intended use of the device
- Installation and operation of the device
- Maintenance procedures
- Troubleshooting
- Transport, storage and disposal of the device

Non-observance of the instructions in this user manual may result in serious injuries and damage of property.

©2020 Showtec. All rights reserved.

No part of this document may be copied, published or otherwise reproduced without the prior written consent of Highlite International.

Design and product specifications are subject to change without prior notice.

For the latest version of this document, please visit our website [www.highlite.com](http://www.highlite.com) or contact us at [service@highlite.com](mailto:service@highlite.com).

Highlite International and its authorized service providers are not liable for any injury, damage, direct or indirect loss, consequential or economic loss or any other loss arising from the use of, or inability to use or reliance on the information contained in this document.

## Table of contents

<b>1. Introduction</b> .....	<b>4</b>
1.1. Before Using the Product .....	4
1.2. Intended Use .....	4
1.3. Product Lifespan.....	4
1.4. LEDs Lifespan .....	4
1.5. Text Conventions .....	4
1.6. Symbols and Signal Words.....	5
1.7. Symbols on the Information Label .....	5
<b>2. Safety</b> .....	<b>6</b>
2.1. Warnings and Safety Instructions .....	6
2.2. Requirements for the User.....	8
<b>3. Description of the Device</b> .....	<b>9</b>
3.1. Front View .....	9
3.2. Back View .....	9
3.3. Product Specifications .....	10
3.4. Dimensions.....	11
<b>4. Installation</b> .....	<b>12</b>
4.1. Safety Instructions for Installation .....	12
4.2. Personal Protective Equipment .....	12
4.3. Installation Site Requirements .....	12
4.4. Rigging .....	13
4.4.1. Angle Adjustment.....	14
4.5. Connecting to Power Supply .....	15
4.6. Power Linking of Multiple Devices.....	15
<b>5. Setup</b> .....	<b>16</b>
5.1. Warnings and Precautions .....	16
5.2. Stand-alone Setup .....	16
5.3. DMX Connection.....	16
5.3.1. DMX-512 Protocol .....	16
5.3.2. DMX Cables.....	17
5.3.3. Master/Slave Setup .....	17
5.3.4. DMX Linking.....	18
5.3.5. DMX Addressing.....	18
<b>6. Operation</b> .....	<b>19</b>
6.1. Safety Instructions for Operation.....	19
6.2. Control Modes .....	19
6.3. Control Panel .....	20
6.4. Start-up.....	20
6.5. Menu Overview .....	21
6.6. Main Menu Options .....	22
6.6.1. Static .....	22
6.6.2. DMX Address .....	23
6.6.3. Run Mode.....	23
6.6.4. Personality .....	23
6.6.5. Settings.....	24
6.6.5.1. Reset .....	24
6.6.5.2. DMX Error.....	24
6.6.5.3. Mode Settings .....	25
6.6.6. Key.....	25
6.6.7. Information.....	25
6.7. DMX Channels .....	26
6.8. Supported RDM PIDs (Parameter IDs) .....	26
<b>7. Troubleshooting</b> .....	<b>27</b>

**8. Maintenance .....28**  
8.1. Safety Instructions for Maintenance .....28  
8.2. Preventive Maintenance .....28  
    8.2.1. Basic Cleaning Instructions .....29  
8.3. Corrective Maintenance .....29

**9. Deinstallation, Transportation and Storage .....30**  
9.1. Instructions for Deinstallation .....30  
9.2. Instructions for Transportation .....30  
9.3. Storage .....30

**10. Disposal .....30**

**11. Approval.....30**

## 1. Introduction

### 1.1. Before Using the Product



#### Important

Read and follow the instructions in this user manual before installing, operating or servicing this product.

The manufacturer will not accept liability for any resulting damages caused by the non-observance of this manual.

After unpacking, check the contents of the box. If any parts are missing or damaged, contact your Highlite International dealer.

Your shipment includes:

- Showtec Spectral Revo UV IP65
- Schuko to Seetronic power cable (1,5 m)
- Safety cable
- User manual

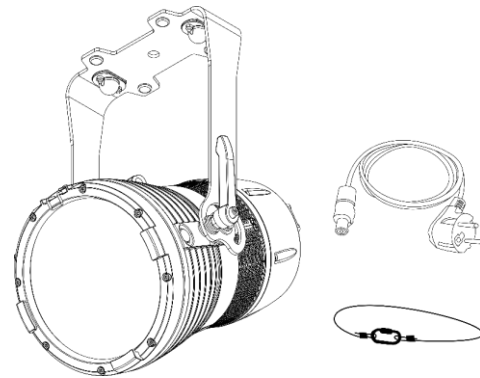


Fig. 01

### 1.2. Intended Use

This device is intended for professional use as an outdoor spot. It is not suitable for households and for general lighting.

Any other use, not mentioned under intended use, is regarded as non-intended and incorrect use.

### 1.3. Product Lifespan

This device is not designed for permanent operation. Disconnect the device from the electrical power supply when the device is not in operation. This will reduce the wear and will improve the device's lifespan.

### 1.4. LEDs Lifespan

The light output of the LEDs gradually decreases over time (lumen depreciation). High operating temperatures contribute to this process. You can extend the lifespan of the LEDs by providing adequate ventilation and operating the LEDs at the lowest possible brightness.

### 1.5. Text Conventions

Throughout the user manual the following text conventions are used:

- Buttons: All buttons are in bold lettering, for example "Press the **UP/DOWN** buttons"
- References: References to chapters and parts of the device are in bold lettering, for example: "Refer to **2. Safety**", "turn the **adjustment handle (05)**"
- 0–255: Defines a range of values
- Notes: **Note:** (in bold lettering) is followed by useful information or tips

## 1.6. Symbols and Signal Words

Safety notes and warnings are indicated throughout the user manual by safety signs.

Always follow the instructions provided in this user manual.



**DANGER**

Indicates an imminently hazardous situation which, if not avoided, will result in death or serious injury.



**WARNING**

Indicates a potentially hazardous situation which, if not avoided, could result in death or serious injury.



**CAUTION**

Indicates a potentially hazardous situation, which, if not avoided, may result in minor or moderate injury.



**Attention**

Indicates important information for the correct operation and use of the product.



**Important**

Read and observe the instructions in this document.



**Electrical hazard**



**Eye damage hazard**



Provides important information about the disposal of this product.

## 1.7. Symbols on the Information Label

This product is provided with an information label. The information label is located on the mounting bracket of the device.

The information label contains the following symbols:



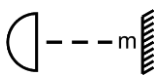
This device shall not be treated as household waste.

**IP65**

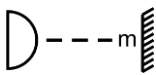
This device is rated IP65.



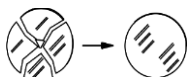
This device falls under IEC protection class I.



Minimum distance from lighted objects.



Minimum distance from other objects.



Replace any cracked protective shield.



Caution: Risk of electric shock. Do not open.

Caution: To reduce the risk of electrical shock, do not remove cover. No user-serviceable parts inside. Refer servicing to qualified personnel.

## 2. Safety

**Important**

**Read and follow the instructions in this user manual before installing, operating or servicing this product.**

The manufacturer will not accept liability for any resulting damages caused by the non-observance of this manual.

### 2.1. Warnings and Safety Instructions

**DANGER**

**Danger for children**

For adult use only. The device must be installed beyond the reach of children.

- Do not leave various parts of the packaging (plastic bags, polystyrene foam, nails, etc.) within children's reach. Packaging material is a potential source of danger for children.

**DANGER**

**Electric shock caused by dangerous voltage inside**

There are areas within the device where dangerous touch voltage may be present.

- Do not open the device or remove any covers.
- Do not operate the device if the covers or the housing are open. Before operation, check if the housing is firmly closed and all screws are tightly fastened.
- Disconnect the device from electrical power supply before service and maintenance, and when the device is not in use.

**DANGER**

**Electric shock caused by short-circuit**

This device falls under IEC protection class I.

- Make sure that the device is electrically connected to ground (earth). Connect the device only to a socket-outlet with ground (earth) connection.
- Do not cover the ground (earth) connection.
- Do not bypass the thermostatic switch or fuses.
- Do not let the power cable come into contact with other cables. Handle the power cable and all connections with the mains with caution.
- Do not modify, bend, mechanically strain, put pressure on, pull or heat up the power cable.
- Make sure that the power cable is not crimped or damaged. Examine the power cable periodically for any defects.
- Do not immerse the device in water or other liquids. Do not install the device in a location where flooding may occur.
- Do not use the device during thunderstorms. Disconnect the device from the electrical power supply immediately.
- Keep the connectors sealed with the rubber caps when the connectors are not in use.
- Do not connect the cables from above the connectors, if the device is installed outdoors. Make a 'drip loop' in the cable so that rain water cannot enter the device.

- Make sure that the cable run is not too heavy. A heavy cable run can cause damage to the connectors. If the connectors are damaged, their ingress protection (IP) can deteriorate.



**WARNING**  
**Risk of epileptic shock**

Strobe lighting can trigger seizures in photosensitive epilepsy. Sensitive persons should avoid looking at strobe lights.



**CAUTION**  
**Ultraviolet hazard**

UV emitted from this device.

- Minimize exposure to eyes and skin.
- Do not operate the device without the lens.
- Do not look at the operating light source. May be harmful to the eye.
- Use appropriate shielding if looking into light source during service or maintenance.



**Attention**  
**Power supply**

- Before connecting the device to the power supply, make sure that the current, voltage and frequency match the input voltage, current and frequency specified on the information label on the device.
- Make sure that the cross-sectional area of the extension cords and power cables is sufficient for the required power consumption of the device.



**Attention**  
**General safety**

- Do not insert objects into the air vents.
- Do not connect the device to a dimmer pack.
- Do not switch the device on and off in short intervals. This decreases the device's life.
- Do not shake the device. Avoid brute force when installing or operating the device.
- Change the lens or the LEDs if they are visibly damaged to such an extent that their effectiveness is impaired, for example by cracks or deep scratches. Contact your Highlite International dealer for more information, as servicing can be performed only by instructed or skilled persons.
- If the device is dropped or struck, disconnect the device from the electrical power supply immediately.
- If the device is exposed to extreme temperature variations (e.g. after transportation), do not switch it on immediately. Let the device reach room temperature before switching it on, otherwise it may be damaged by the formed condensation.
- If the device fails to work properly, discontinue the use immediately.





**Attention**  
**For professional use only**  
**This device shall be used only for the purposes it is designed for.**

This device is designed to be used as a professional outdoor spot. Any incorrect use may lead to hazardous situations and result in injuries and material damage.

- This device is not suitable for households and for general lighting.
- This device is not designed for permanent operation.
- This device does not contain user-serviceable parts. Unauthorized modifications to the device will render the warranty void. Such modifications may result in injuries and material damage.



**Attention**  
**Before each use, examine the device visually for any defects.**

Make sure that:

- All screws used for installing the device or parts of the device are tightly fastened and are not corroded.
- The safety devices are not damaged.
- There are no deformations on housings, fixations and installation points.
- The lens is not cracked or damaged.
- The power cables are not damaged and do not show any material fatigue.



**Attention**  
**Do not expose the device to conditions that exceed the rated IP class conditions.**

This device is IP65 rated. IP (Ingress Protection) 65 class means that the device is dust-tight and protected against harmful effect of water jets.

## 2.2. Requirements for the User

This product may be used by ordinary persons. Maintenance may be carried by ordinary persons. Installation and service shall be carried out only by instructed or skilled persons. Contact your Highlite International dealer for more information.

Instructed persons have been instructed and trained by a skilled person, or are supervised by a skilled person, for specific tasks and work activities associated with the installation, service and maintenance of this product, so that they can identify risks and take precautions to avoid them.

Skilled persons have training or experience, which enables them to recognize risks and to avoid hazards associated with the installation, service and maintenance of this product.

Ordinary persons are all persons other than instructed persons and skilled persons. Ordinary persons include not only users of the product but also any other persons that may have access to the device or who may be in the vicinity of the device.

### 3. Description of the Device

The Showtec Spectral Revo UV IP65 is an IP65-rated outdoor spot. It features an innovative single lens which creates a homogenous UV output.

#### 3.1. Front View

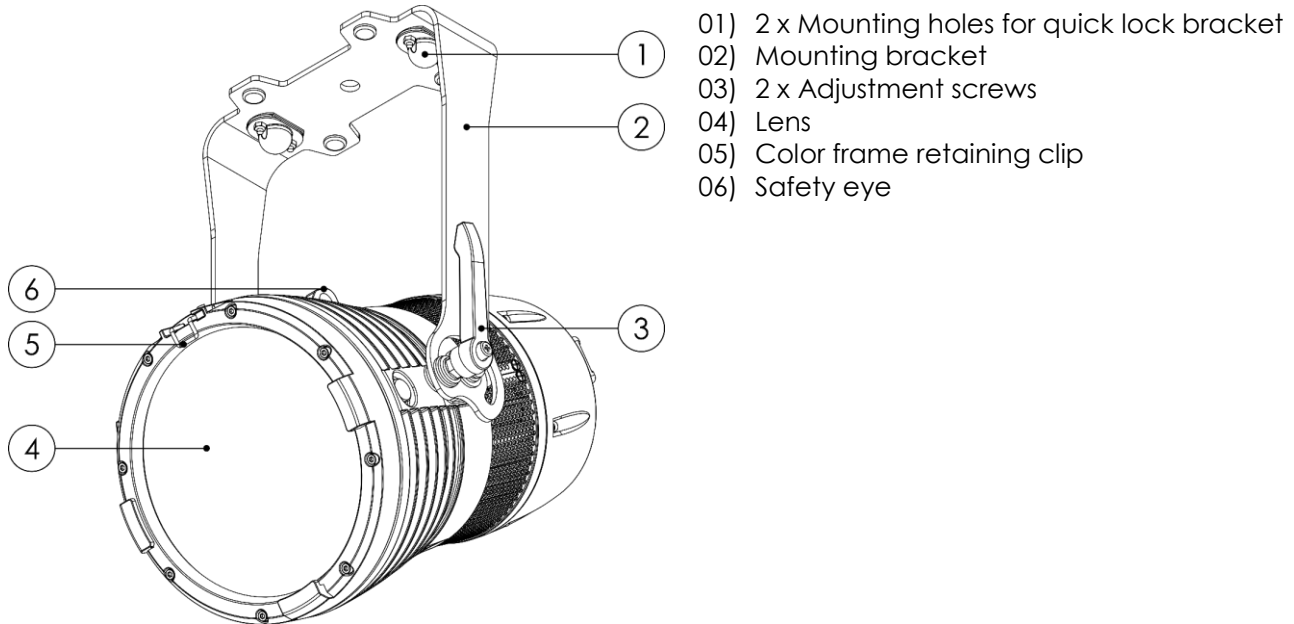


Fig. 02

#### 3.2. Back View

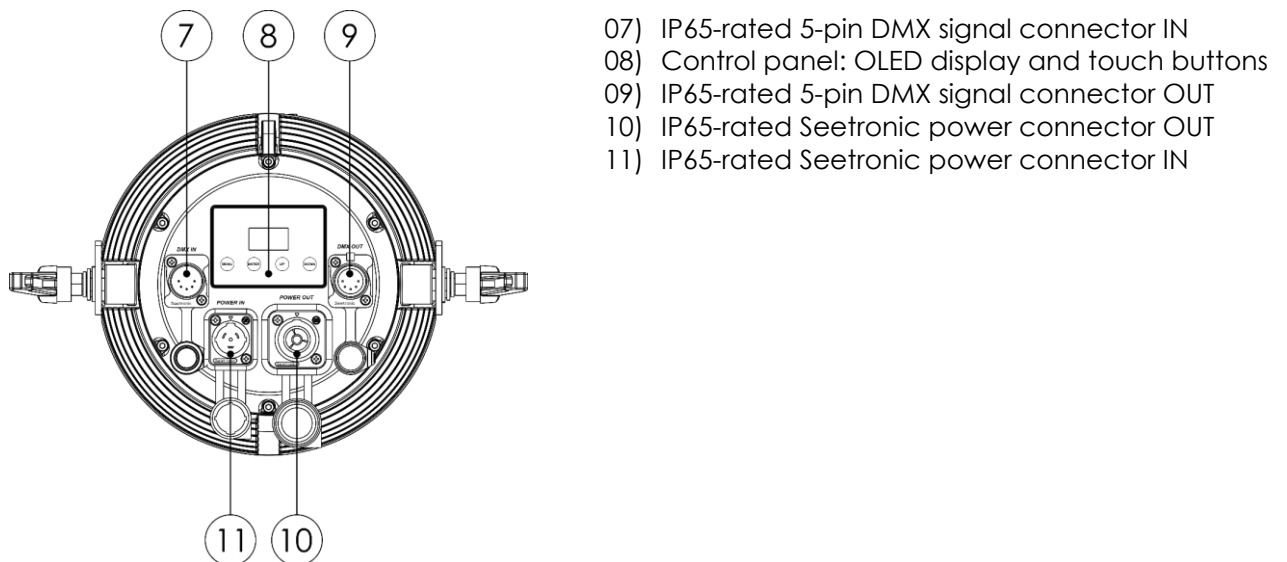


Fig. 03

### 3.3. Product Specifications

Model:	Spectral Revo UV IP65
<b>Electrical:</b>	
Input voltage:	100–240 V AC, 50/60 Hz
Power consumption:	125 W
<b>Physical:</b>	
Dimensions:	425 x 320 x 219 mm (L x W x H) (including bracket)
Weight:	6,1 kg
<b>Optics:</b>	
Light source:	110 W UV LED module
Dimmer:	0–100 %
Strobe:	0–25 Hz
Beam angle:	45°
<b>Operation and control:</b>	
Control:	Stand-alone Master/Slave DMX-512, RDM
DMX channels:	UNO (1 channel), DOS (2 channels), STD.P (4 channels)
Control panel:	OLED display and touch buttons
<b>Connections:</b>	
Power connections:	IP65-rated Seetronic power connectors IN/OUT
Data connections:	IP65-rated 5-pin DMX connectors IN/OUT
Signal pinouts:	Pin 1 (earth), pin 2 (-), pin 3 (+), pin 4 (N/C), pin 5 (N/C)
<b>Construction:</b>	
Housing:	Die-cast aluminum
Color:	Black
IP rating:	IP65
Cooling:	Forced convection
<b>Thermal:</b>	
Maximum ambient temperature $t_a$ :	40 °C
<b>Minimum distance:</b>	
Minimum distance from flammable surfaces:	0,8 m
Minimum distance to lighted object:	0,8 m

3.4. Dimensions

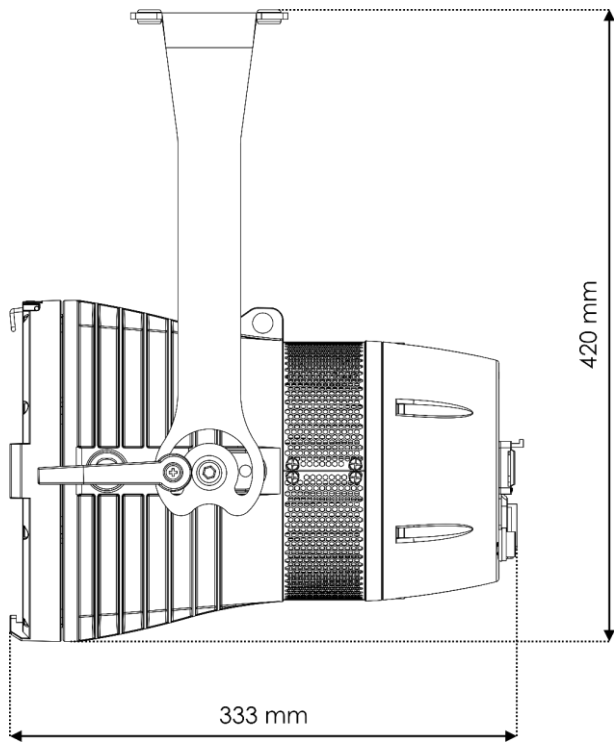


Fig. 04

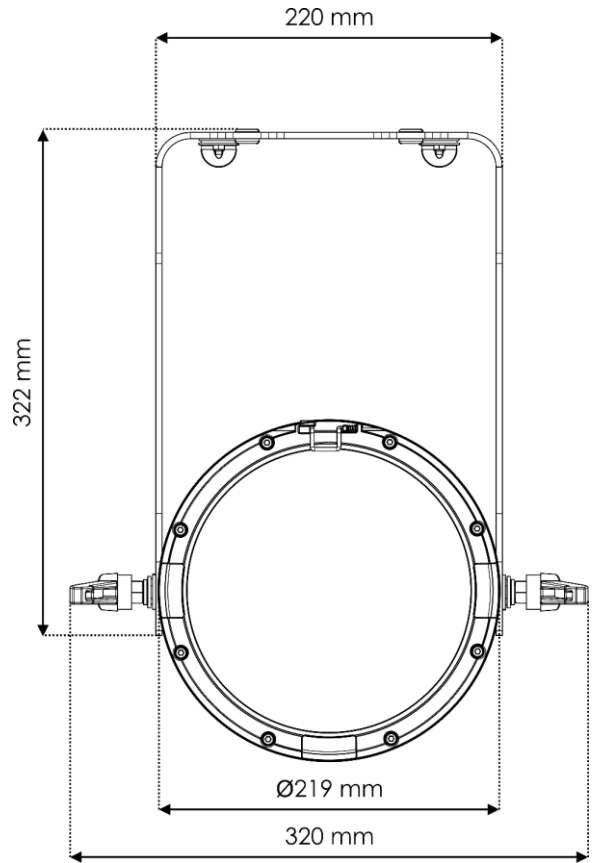


Fig. 05

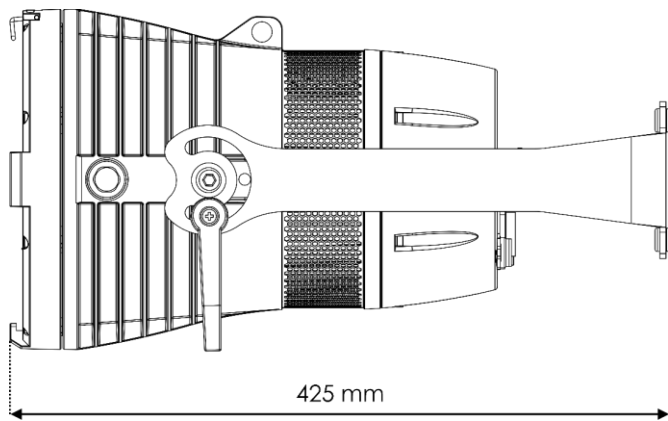


Fig. 06

## 4. Installation

---

### 4.1. Safety Instructions for Installation



**WARNING**

**Incorrect installation can cause serious injuries and damage of property.**

If trussing systems are used, installation must be carried out only by instructed or skilled persons.

Follow all applicable European, national and local safety regulations concerning rigging and trussing.

### 4.2. Personal Protective Equipment

During installation and rigging wear personal protective equipment in compliance with the national and site-specific regulations.

### 4.3. Installation Site Requirements

- The device can be used outdoors.
- The device can be mounted to a truss or other rigging structure.
- The minimum distance between the light output and the illuminated surface must be bigger than 0,8 m.
- The maximum ambient temperature  $t_a = 40\text{ °C}$  must never be exceeded.
- The relative humidity must not exceed 50 % with an ambient temperature of 40 °C.

## 4.4. Rigging

The device can be positioned on a flat surface or mounted to a truss or other rigging structure. Make sure that all loads are within the pre-determined limits of the supporting structure.



### CAUTION

Restrict the access under the work area during rigging and/or derigging.

To mount the device, follow the steps below:

- 01) Use a clamp to attach the device to the supporting structure, as shown in Fig. 07. Make sure that the device cannot move freely. The use of a quick lock bracket is optional.
- 02) Secure the device with a secondary suspension, for example a safety cable. Make sure that the secondary suspension can hold 10 times the weight of the device. If possible, the secondary suspension should be attached to a supporting structure independent of the primary suspension. Put the safety cable through the **safety eye (06)**, as shown in Fig. 07. You can use the safety cable supplied with the device.

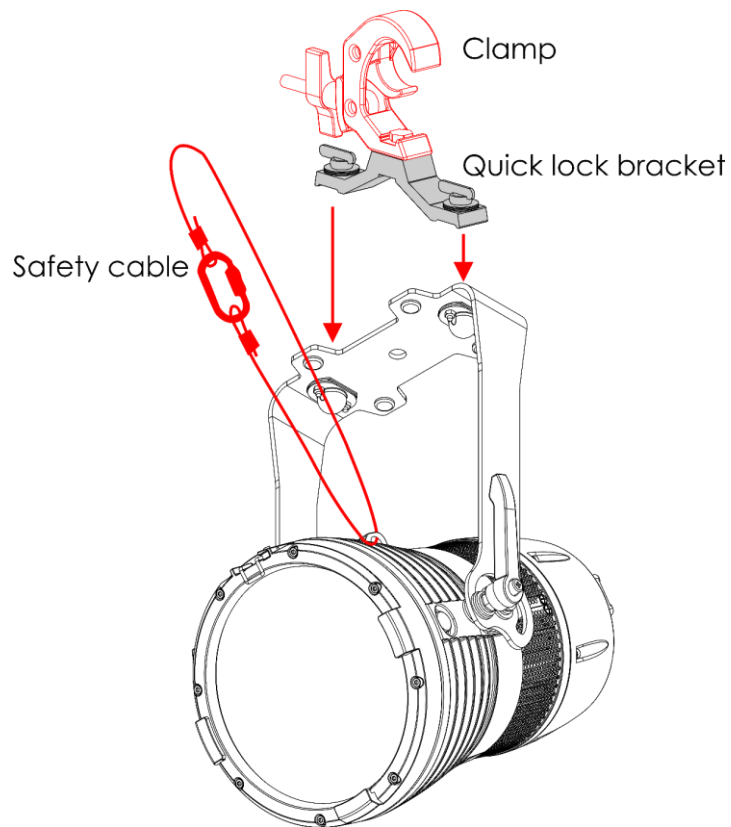


Fig. 07

## 4.4.1. Angle Adjustment

You can adjust the angle of the device with the 2 **adjustment screws (03)**.

- 01) Turn the **adjustment screws (03)** counterclockwise to release them.
- 02) Tilt the device at the desired angle (see Fig. 08).
- 03) Turn the **adjustment screws (03)** clockwise to tighten them. Make sure that the device cannot move freely after the **adjustment screws (03)** are tightened.

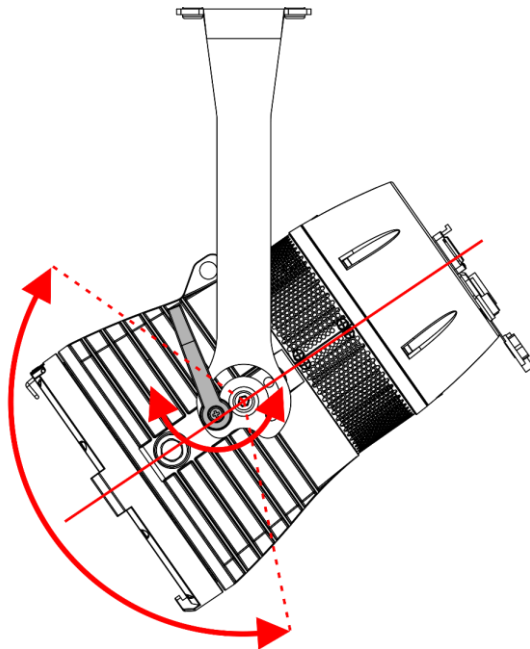


Fig. 08

## 4.5. Connecting to Power Supply



**DANGER**  
Electric shock caused by short-circuit

The device accepts AC mains power at 100–240 V and 50/60 Hz. Do not supply power at any other voltage or frequency to the device.

This device falls under IEC protection class I. Make sure that the device is always electrically connected to the ground (earth).

Before connecting the device to the socket-outlet:

- Make sure that the power supply matches the input voltage specified on the information label on the device.
- Make sure that the socket-outlet has ground (earth) connection.

Connect the device to the socket-outlet with the power plug. Do not connect the device to a dimmer circuit, as this may damage the device.

This device is IP65 rated.

- Do not expose the device to conditions that exceed the rated IP class conditions.
- Keep the connectors sealed with the rubber caps when the connectors are not in use.
- Do not connect the cables from above the connectors, if the device is installed outdoors. Make a 'drip loop' in the cable so that rain water cannot enter the device.
- Make sure that the cable run is not too heavy. A heavy cable run can cause damage to the connectors. If the connectors are damaged, their ingress protection (IP) can deteriorate.

## 4.6. Power Linking of Multiple Devices

This device supports power linking. Power can be relayed to another device via the power OUT connector. Note that the input and the output connectors have different designs: one type cannot be connected to the other.

Power linking of multiple devices must be carried out only by instructed or skilled persons.



**WARNING**  
Incorrect power linking may lead to overload of the electrical circuit and result in serious injuries and damage of property.

To prevent overload of the electrical circuit, when power linking multiple devices:

- Use cables with sufficient current-carrying capacity. The power cable supplied with the device is not suitable for power linking of multiple devices.
- Make sure that the total current draw of the device and all connected devices does not exceed the rated capacity of the power cables and the circuit breaker.
- Do not link more devices on one power link than the maximum recommended number.

Maximum recommended number of devices:

- at 100–120 V: 7 devices Spectral Revo UV IP65
- at 200–240 V: 15 devices Spectral Revo UV IP65



## 5. Setup

### 5.1. Warnings and Precautions



**DANGER**  
Electric shock caused by short-circuit

This device is IP65 rated.

- Do not expose the device to conditions that exceed the rated IP class conditions.
- Keep the connectors sealed with the rubber caps when the connectors are not in use.
- Do not connect the cables from above the connectors, if the device is installed outdoors. Make a 'drip loop' in the cable so that rain water cannot enter the device.
- Make sure that the cable run is not too heavy. A heavy cable run can cause damage to the connectors. If the connectors are damaged, their ingress protection (IP) can deteriorate.



**Attention**  
Connect all data cables before supplying power.  
Disconnect power supply before connecting or disconnecting data cables.

### 5.2. Stand-alone Setup

When the Spectral Revo UV IP65 is not connected to a controller or to other devices, it functions as a stand-alone device.

For more information about the control modes, refer to **6.2. Control Modes** on page 19.

### 5.3. DMX Connection

#### 5.3.1. DMX-512 Protocol

You need a DMX serial data link to run light shows of one or more devices using a DMX-512 controller or to run synchronized shows of two or more devices set in a master/slave control mode.

The Spectral Revo UV IP65 has 5-pin DMX signal IN and OUT connectors.

The pin assignment is as follows: pin 1 (ground), pin 2 (-), pin 3 (+), pin 4 (N/C), pin 5 (N/C).

Devices on a serial data link must be daisy-chained in a single line. The number of devices that you can control on one data link is limited by the combined number of the DMX channels of the connected devices and the 512 channels available in one DMX universe.

To comply with the TIA-485 standard, no more than 32 devices should be connected on one data link. In order to connect more than 32 devices on one data link, you must use a DMX optically isolated splitter/booster, otherwise this may result in deterioration of the DMX signal.

**Note:**

- Maximum recommended DMX data link distance: 300 m
- Maximum recommended number of devices on a DMX data link: 32 devices

## 5.3.2. DMX Cables

Shielded twisted-pair cables with 5-pin XLR connectors must be used for reliable DMX connection. You can purchase DMX cables directly from your Highlite International dealer or make your own cables.

If you use XLR audio cables for DMX data transmission, this may lead to signal degradation and unreliable operation of the DMX network.

When you make your own DMX cables, make sure that you connect the pins and wires correctly as shown in Fig. 09.

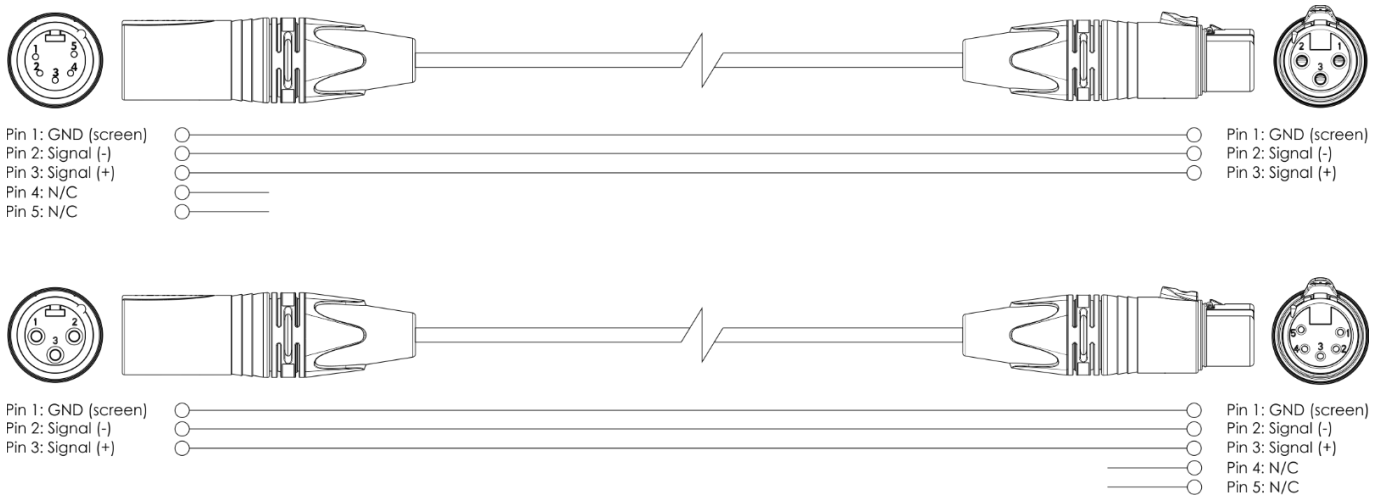


Fig. 09

## 5.3.3. Master/Slave Setup

The Spectral Revo UV IP65 supports master/slave control mode. To connect multiple devices in a master/slave setup, follow the steps below:

- 01) Connect the first device's DMX OUT connector to the second device's DMX IN connector with a 5-pin DMX cable.
- 02) Repeat step 1 to connect all devices as shown in Fig. 10.
- 03) Connect a DMX terminator (120 Ω resistor) to the DMX OUT connector of the last device in the setup.
- 04) Set the first device on the data link as a master device. See **6.6.5.3. Mode Settings** on page 25 for more information.
- 05) Set the remaining devices in the setup as slave devices. See **6.6.3 Run Mode** on page 23 for more information.

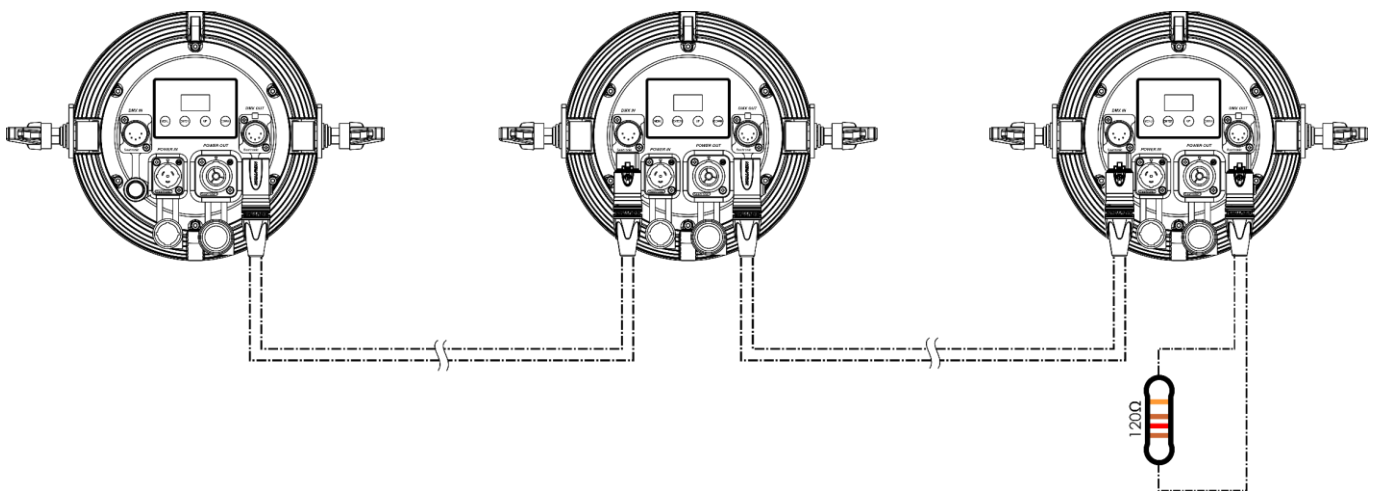


Fig. 10

## 5.3.4. DMX Linking

To connect multiple devices on one DMX data link, follow the steps below:

- 01) Use a 5-pin DMX cable to connect the DMX OUT connector of the lighting controller to the DMX IN connector of the first device.
- 02) Connect the first device's DMX OUT connector to the second device's DMX IN connector with a 5-pin DMX cable.
- 03) Repeat step 2 to connect all devices in a daisy-chain as shown in Fig. 11.
- 04) Connect a DMX terminator (120  $\Omega$  resistor) to the DMX OUT connector of the last device on the data link.

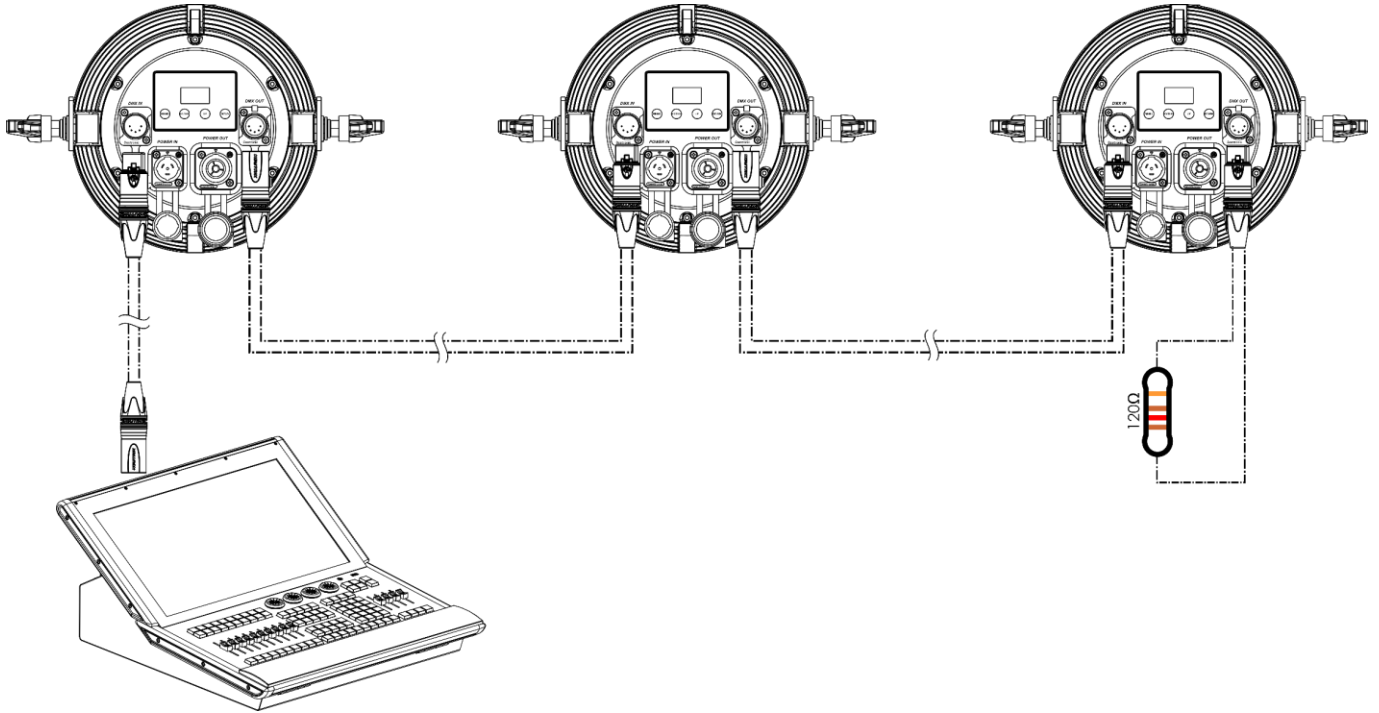


Fig. 11

## 5.3.5. DMX Addressing

In a setup with multiple devices, make sure that you set the DMX starting address of each device correctly. The Spectral Revo UV IP65 has 3 personalities: UNO (1 channel), DOS (2 channels), and STD.P (4 channels).

If you want to connect multiple devices on one data link and use them in 4-channel mode, for example, follow the steps below:

- 01) Set the starting address of the 1<sup>st</sup> device on the data link to 1 (001).
- 02) Set the starting address of the 2<sup>nd</sup> device on the data link to 5 (005), as  $1 + 4 = 5$ .
- 03) Set the starting address of the 3<sup>rd</sup> device on the data link to 9 (009), as  $5 + 4 = 9$ .
- 04) Continue assigning the starting addresses of the remaining devices by adding each time 4 to the previous number.

Make sure that you do not have any overlapping channels in order to control the Spectral Revo UV IP65 correctly. If two or more devices are addressed similarly, they will work similarly.

## 6. Operation

### 6.1. Safety Instructions for Operation



#### Attention

This device must be used only for the purposes it is designed for.

This device is intended for professional use as an outdoor spot. It is not suitable for households and for general lighting.

Any other use, not mentioned under intended use, is regarded as non-intended and incorrect use.



#### Attention

#### Power supply

Before connecting the device to the power supply, make sure that the current, voltage and frequency match the input voltage, current and frequency specified on the information label on the device.

### 6.2. Control Modes

The Spectral Revo UV IP65 can be operated with a DMX controller, or without a DMX controller as a stand-alone device or in a master/slave setup.

The Spectral Revo UV IP65 supports the following control modes:

- Stand-alone: Manual operation mode (Static)
- Master/Slave: Manual operation mode (Static)
- DMX-512: 1, 2 and 4 channels

For more information about how to connect the devices, refer to **5. Setup** on pages 16–18.

To operate the device manually as a stand-alone device:

- 01) Select SELF in the Mode Settings submenu. See **6.6.5.3. Mode Settings** on page 25 for more information.
- 02) Adjust the light intensity and add strobe effect. See **6.6.1. Static** on page 22 for more information.

To operate the device in master/slave setup:

- 01) Set the master device and the slave devices. See **6.6.5.3. Mode Settings** on page 25 and **6.6.3 Run Mode** on page 23 for more information.
- 02) Adjust the light intensity and add strobe effect. See **6.6.1. Static** on page 22 for more information.

To operate the device with a DMX controller:

- 01) Select DMX mode in the Run Mode menu. See **6.6.3 Run Mode** on page 23 for more information.
- 02) Set the DMX starting address of the device in the DMX Address submenu. See **5.3.5. DMX Addressing** on page 18 and **6.6.2. DMX Address** on page 23.
- 03) Select the DMX channel mode. See **6.6.4. Personality** on page 23 for more information. See **6.7. DMX Channels** on page 26 for complete overview of all DMX channels.

### 6.3. Control Panel

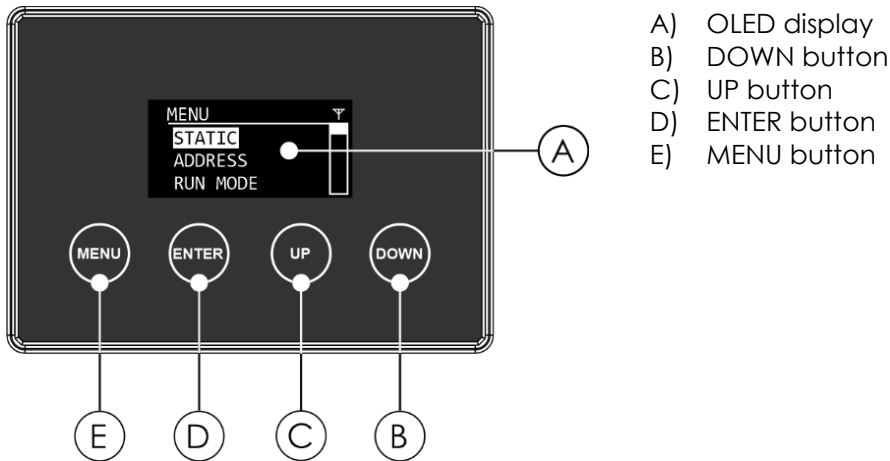


Fig. 12

- Use the **MENU** button to open the main menu or to exit the current submenu and return to the main menu.
- Use the **UP/DOWN** buttons to navigate through the menus or to increase/decrease numeric values.
- Use the **ENTER** button to open the desired menu, to confirm your choice or to set the currently selected value.

### 6.4. Start-up

Upon start-up the display will show a splash screen with the Showtec logo.

By default the display of the device is locked. To unlock the display and access the main menu, you need to enter the password:

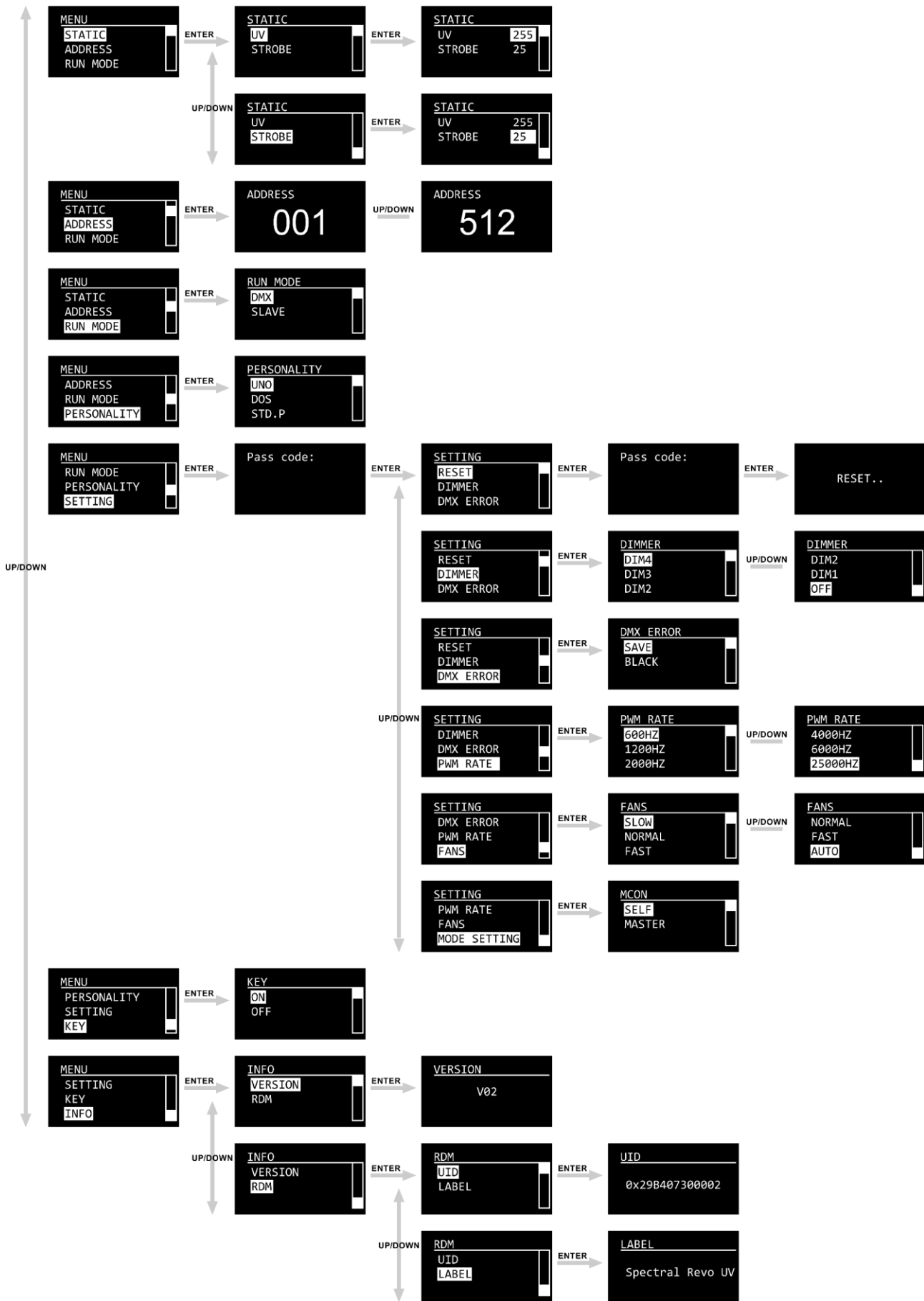
- 01) Press and hold the **MENU** button for 6 seconds to light up the display.
- 02) Press the **UP/DOWN** buttons in the following order: **UP, DOWN, UP, DOWN** to enter the password.
- 03) Press the **ENTER** button to confirm.

To change the settings and remove the display lock, see **6.6.6. Key** on page 25.

#### Note:

If no button is pressed, after 45 seconds of inactivity the display will turn off. Enter the password to unlock the display. If the display lock is turned off, press any button to turn the display on.

### 6.5. Menu Overview



## 6.6. Main Menu Options

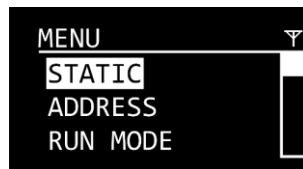
The main menu has the following options:



- 01) Press the **UP/DOWN** buttons to navigate through the main menu.
- 02) Press the **ENTER** button to open the submenus.

### Note:

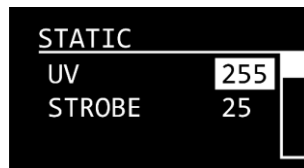
- Some of the submenus require a password. The default password is pressing the **UP/DOWN** buttons in the following order: **UP, DOWN, UP, DOWN**. If you turn off the display lock, this will not affect the submenus which by default require a password.
- If there is DMX connection, at the top right corner of the display there will appear an antenna symbol.



### 6.6.1. Static

In this menu you can manually set the light intensity and add strobe effect.

- 01) Press the **UP/DOWN** buttons to choose between UV and STROBE.
- 02) Press the **ENTER** button to confirm the selection and open the submenu.
- 03) Press the **UP/DOWN** buttons to increase/decrease the values:



- UV: The adjustment range is 0–255, from low to high intensity
  - STROBE: The adjustment range is 0–25, from OFF to high frequency
- 04) Press the **ENTER** button to set the value and to move to the next setting.

## 6.6.2. DMX Address

In this menu you can set the DMX starting address of the device.

01) Press the **UP/DOWN** buttons to select the DMX starting address of the device. The selection range is 001–512.



02) Press the **ENTER** button to save the changes.

## 6.6.3. Run Mode

In this menu you can set the control mode of the device.

01) Press the **UP/DOWN** buttons to select one of the following 2 options:



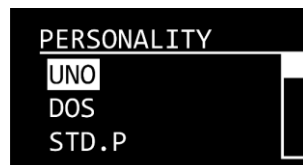
- **DMX:** The device will operate in DMX mode
- **SLAVE:** The device will operate as a slave device in master/slave mode

02) Press the **ENTER** button to confirm the selection.

## 6.6.4. Personality

In this menu you can select the DMX channel mode.

01) Press the **UP/DOWN** buttons to select the desired DMX channel mode. There are 3 options available:



- **UNO:** 1 channel
- **DOS:** 2 channels
- **STD.P:** 4 channels

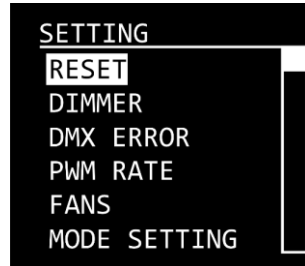
02) Press the **ENTER** button to confirm the selection.



## 6.6.5. Settings

In this menu you can adjust the device's settings. This menu requires a password. The default password is pressing the **UP/DOWN** buttons in the following order: **UP, DOWN, UP, DOWN**.

- 01) Enter the password.
- 02) Press the **ENTER** button to confirm the password and access the menu.
- 03) Press the **UP/DOWN** buttons to select one of the following 6 options:



- **RESET:** See **6.6.5.1. Reset**
  - **DIMMER:** Select the dimmer speed. The available options are DIM4, DIM3, DIM2, DIM1, and OFF
  - **DMX ERROR:** See **6.6.5.2. DMX Error**
  - **PWM RATE:** Set the PWM (Pulse Width Modulation) frequency. The available options are 600 Hz, 1200 Hz, 2000 Hz, 4000 Hz, 6000 Hz, and 25000 Hz
  - **FANS:** Set the speed of the cooling fans. The available options are SLOW, NORMAL, FAST, and AUTO
  - **MODE SETTING:** See **6.6.5.3. Mode Settings**
- 04) Press the **ENTER** button to confirm the selection.

### 6.6.5.1. Reset

In this submenu you can restore the default factory settings of the device. This submenu requires a password. The default password is pressing the **UP/DOWN** buttons in the following order: **UP, DOWN, UP, DOWN**.

- 01) Enter the password.
- 02) Press the **ENTER** button to confirm the password and start the reset. During reset the display will show:



When the reset is completed, the display will show OK.

- 03) Press any button to return to the main menu.

### 6.6.5.2. DMX Error

In this submenu you can determine the behavior of the device in case of a DMX failure.

- 01) Press the **UP/DOWN** buttons to toggle between the following 2 options:
  - **SAVE:** The device will use the last properly received DMX signal
  - **BLACK:** The device will black out the light output
- 02) Press the **ENTER** button to confirm your choice.

### 6.6.5.3. Mode Settings

In this submenu you can set the device to perform as a master.

- 01) Press the **UP/DOWN** buttons to toggle between the following 2 options:
  - **SELF:** The device will operate as a stand-alone device
  - **MASTER:** The device will operate as a master device in master/slave control mode
- 02) Press the **ENTER** button to confirm your choice.

### 6.6.6. Key

In this menu you can activate the display lock.

- 01) Press the **UP/DOWN** buttons to toggle between ON and OFF.
  - **ON:** The display lock is on. The display turns off after 45 seconds of inactivity. To access the main menu, you need to enter the password. The default password is pressing the **UP/DOWN** buttons in the following order: **UP, DOWN, UP, DOWN**
  - **OFF:** The access to the main menu remains unlocked after the display turns off
- 02) Press the **ENTER** button to confirm your choice.

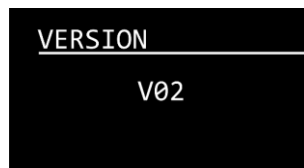
#### Note:

If you turn off the display lock, this will not affect the submenus which by default require a password.

### 6.6.7. Information

In this menu you can see the firmware version and the RDM details of the device.

- 01) Press the **UP/DOWN** buttons to choose between the following 2 options:
  - **VERSION:** The display shows the current firmware version of the device:



- **RDM:** You can see the Unique Identifier (UID) and the name (LABEL) of the device
- 02) Press the **ENTER** button to confirm the selection.

## 6.7. DMX Channels

UNO	DOS	STD.P	Function	Value	Setting
1	1	1	<b>Dimmer</b>	000–255	From low to high intensity (0–100 %)
	2	2	<b>Dimmer Fine</b>	000–255	Fine adjustment
		3	<b>Strobe</b>	000–009	No function (open)
				010–099	Strobe, from low to high frequency (0–25 Hz)
				100–109	No function (open)
				110–179	Lighting strobe, from low to high rate
				180–189	No function (open)
				190–255	Random strobe, from low to high rate
		4	<b>Dimmer Speed</b>	000–009	No function (Default DIM4)
				010–029	Off
				030–069	DIM1
				070–129	DIM2
				130–189	DIM3
				190–255	DIM4

## 6.8. Supported RDM PIDs (Parameter IDs)

Parameter ID	Discovery command	SET command	GET command
DISC_UNIQUE_BRANCH	*		
DISC_MUTE	*		
DISC_UN_MUTE	*		
DEVICE_INFO			*
SUPPORTED_PARAMETERS			*
SOFTWARE_VERSION_LABEL			*
DMX_START_ADDRESS		*	*
IDENTIFY_DEVICE		*	*
DEVICE_MODEL_DESCRIPTION			*
MANUFACTURER_LABEL			*
DEVICE_LABEL		*	*
SENSOR_DEFINITION			*
SENSOR_VALUE		*	*
DEVICE_RESET		*	
DMX_PERSONALITY		*	
DMX_PERSONALITY_DESCRIPTION			*
STATUS_MESSAGES			*
STATUS_ID_DESCRIPTION			*

## 7. Troubleshooting

This troubleshooting guide contains solutions to problems which can be carried out by an ordinary person. The device does not contain user-serviceable parts.

Unauthorized modifications to the device will render the warranty void. Such modifications may result in injuries and material damage.

Refer servicing to instructed or skilled persons. Contact your Highlite International dealer in case the solution is not described in the table.

Problem	Probable cause(s)	Solution
The device does not function at all	No power to the device	<ul style="list-style-type: none"> <li>Check if power is switched on and cables are plugged in</li> </ul>
	Internal fuse is blown	<ul style="list-style-type: none"> <li>Disconnect the device and contact your Highlite International dealer</li> </ul>
The device responds erratically	The factory settings of the device are changed	<ul style="list-style-type: none"> <li>Reset the device's parameters to the default factory settings. See <b>6.6.5.1. Reset</b> on page 24</li> </ul>
The device does not respond to DMX control	The controller is not connected	<ul style="list-style-type: none"> <li>Connect the controller</li> </ul>
	The signal is reversed. The 5-pin DMX OUT of the controller does not match the DMX IN of the device	<ul style="list-style-type: none"> <li>Install a phase-reversing cable between the controller and the device</li> </ul>
	The controller is defective	<ul style="list-style-type: none"> <li>Try using another controller</li> </ul>
The device responds erratically to DMX control	Bad data link connection	<ul style="list-style-type: none"> <li>Examine connections and cables. Correct poor connections. Repair or replace damaged cables</li> </ul>
	The data link is not terminated with a 120 $\Omega$ termination plug	<ul style="list-style-type: none"> <li>Insert a termination plug in the DMX OUT connector of the last device on the link</li> </ul>
	Incorrect addressing	<ul style="list-style-type: none"> <li>Check address settings and correct, if necessary</li> </ul>
	In case of a setup with multiple devices, one of the devices is defective and disturbs data transmission on the link	<ul style="list-style-type: none"> <li>To find out which device is defective, bypass one device at a time until normal operation is restored</li> </ul>
No light or LEDs cut out intermittently	LEDs are damaged	<ul style="list-style-type: none"> <li>Disconnect the device and contact your Highlite International dealer</li> </ul>
	The power supply settings do not match local AC voltage and frequency	<ul style="list-style-type: none"> <li>Disconnect the device. Check the settings and correct, if necessary</li> </ul>

## 8. Maintenance

---

### 8.1. Safety Instructions for Maintenance



**DANGER**  
Electric shock caused by dangerous voltage inside

Disconnect power supply before servicing or cleaning.

### 8.2. Preventive Maintenance



**Attention**  
Before each use, examine the device visually for any defects.

Make sure that:

- All screws used for installing the device or parts of the device are tightly fastened and are not corroded.
- The safety devices are not damaged.
- There are no deformations on housings, fixations and installation points.
- The lens is not cracked or damaged.
- The power cables are not damaged and do not show any material fatigue.

### 8.2.1. Basic Cleaning Instructions

The external lens of the device must be cleaned periodically in order to optimize the light output. The cleaning schedule depends on the conditions at the site where the device is installed. When smoke or fog machines are used at the site, the device will need more frequent cleaning. On the other hand, if the device is installed in well-ventilated area, it will need less frequent cleaning. To establish a cleaning schedule, examine the device at regular intervals during the first 100 hours of operation.

To clean the device, follow the steps below:

- 01) Disconnect the device from the electrical power supply.
- 02) Allow the device to cool down for at least 5 minutes.
- 03) Remove the dust collected on the external surface with dry compressed air and a soft brush.
- 04) Clean the lens with a damp cloth. Use a mild detergent solution.
- 05) Dry the lens carefully with a lint-free cloth.
- 06) Clean the DMX and other connections with a damp cloth.



#### Attention

- Do not immerse the device in liquid.
- Do not use alcohol or solvents.
- Make sure that the connections are fully dry before connecting the device to the power supply and to other devices.

### 8.3. Corrective Maintenance

The device does not contain user-serviceable parts. Do not open the device and do not modify the device.

Refer repairs and servicing to instructed or skilled persons. Contact your Highlite International dealer for more information.

## 9. Deinstallation, Transportation and Storage

---

### 9.1. Instructions for Deinstallation



**WARNING**

**Incorrect deinstallation can cause serious injuries and damage of property.**

- Let the device cool down before dismounting.
- Disconnect power supply before deinstallation.
- Always observe the national and site-specific regulations during deinstallation and derigging of the device.
- Wear personal protective equipment in compliance with the national and site-specific regulations.

### 9.2. Instructions for Transportation

- Use the original packaging to transport the device, if possible.
- Always observe the handling instructions printed on the outer carton box, for example: "Handle with care", "This side up", "Fragile".

### 9.3. Storage

- Clean the device before storing. Follow the cleaning instructions in chapter **8.2.1. Basic Cleaning Instructions** on page 29.
- Store the device in the original packaging, if possible.

## 10. Disposal

---

### Correct disposal of this product



#### Waste Electrical and Electronic Equipment

This symbol on the product, its packaging or documents indicates that the product shall not be treated as household waste. Dispose of this product by handing it to the respective collection point for recycling of electrical and electronic equipment. This is to avoid environmental damage or personal injury due to uncontrolled waste disposal. For more detailed information about recycling of this product contact the local authorities or the authorized dealer.

## 11. Approval

---



Check the respective product page on the website of Highlite International ([www.highlite.com](http://www.highlite.com)) for an available declaration of conformity.



©2020 Showtec