



**PLPROFILE1 LED Luminaire**

The PLPROFILE1 LED luminaire is a variable beam profile with precise beam control and pattern projection from a high output beam. An innovative combination of LED source technology and precision optical design, the PLPROFILE1 luminaire delivers Philips Selecon’s industry benchmark projection quality in a compact, robust fixture.

A key benefit of the PLPROFILE1 luminaire is that it is no longer necessary to change lamps or color filter. Combining the superior control and light quality of a Philips Selecon Profile with seamless fading between colors allows designers a new level of creativity. Less power consumption and no dimmer circuits makes the PLPROFILE1 luminaire the obvious choice for pattern projection and stage washes.



**PLPROFILE1 LED Luminaire**

**Features**

- Delivers the performance of a 500 watt profile fixture with a maximum power consumption of 150 watts
- Available in 18 to 34 or 24 to 44 degree beam angles
- Interchangeable lens tray between medium and wide versions
- Slot provided for iris, M-size pattern holder, or third party effect accessory
- Infinite color choice from the RGBW engine and supporting color temperatures from 2700K to 5600K in white
- Homogenized fully mixed color output light, no multiple color shadows
- Ten’s of thousands of hours of life expectancy
- Quick selection of Warm White, Cool White, and Daylight
- User defined on board presets states available to record your color composition
- Color presets simplifies matching existing light sources
- Constant color balance down to very low light levels irrespective of intensity setting
- DMX512 Input/Output with 8 or 16-bit resolution or a simple 3-channel control
- On-board LCD menu for ease of luminaire set up and addressing
- No ultra-violet (wavelengths of less than 400nm) – for UVA, B or C or the Infrared spectrum (wavelengths of more than 775nm)
- Luminaire color: black
- Electronic universal power supply 100-240VAC
- PowerCon In and Through connectors
- Electronic power supply; ETL / cETL approved and CE marked



**SPECIFICATION SUBMITTAL**

CONSULTANT: <input type="text"/>	PROJECT NAME: <input type="text"/>	MODEL NUMBER   QUANTITY: <input type="text"/> <input type="text"/>   <input type="text"/> <input type="text"/>   <input type="text"/> <input type="text"/>   <input type="text"/> <input type="text"/>
DATE: <input type="text"/>	PROJECT NUMBER: <input type="text"/>	APPROVED BY: <input type="text"/>



## PLPROFILE1 LED Luminaire

### Advanced Control

The PLPROFILE1 LED luminaire has an on-board LCD menu system for luminaire setup, control, and addressing. The menu system is extremely user-friendly and offers all configuration options with a few button presses.

### Console Control

All PLPROFILE1 luminaires support DMX512 control with a choice of 8 or 16 bit control resolution or simple 3-channel control. With the increased development of LED luminaires like PL1 and PLPROFILE1 with 4 or more colors additional control is needed for intuitive operation. All Strand Lighting Palette family controls now support extended color control and color temperature control to simplify programming and luminaire color matching.

### PLPROFILE1 LED Engine

The PLPROFILE1 luminaire’s powerful LED engines offer exceptional performance and life. Under normal operating conditions our LED engine has a potential life expectancy of up to 50,000 hours, however under worst case operating conditions with the luminaire set to continuous full output it is possible that a small percentage of LEDs may require replacement sooner. The Philips Selecon three-year limited warranty includes our guarantee against premature failure of the LED engine.

The PLPROFILE1 luminaire uses the same proven LED engine as the Philips Selecon PL3, PL1, PLCYC1, PLFRESNEL1 and the Philips Vari-Lite VLX luminaires meaning the color experience is simplified across the stage.

Interchangeable lens trays for fast and easy choice of either medium zoom (18-34 degrees) or wide zoom (24-44 degrees) without the use of tools. Lens trays sold separately.

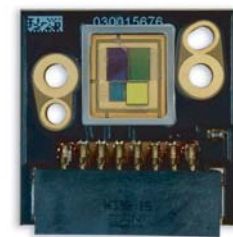


PLPROFILE1 Luminaire Advanced Control

- ① LCD Menu Display
- ② Local controls offer the ability to access preset color temperatures; locally stored custom presets adjust intensity; colors and motorized focus.



Strand Lighting Light Palette VL



PLPROFILE1 Luminaire LED Engine



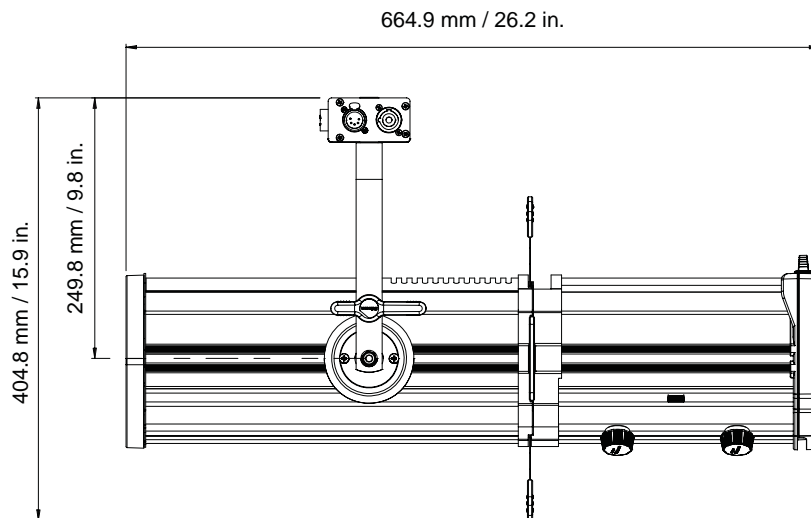
Technical Specifications

Electrical Specifications		Mechanical Specifications	
Source:	1 Each, True RGBW 120W LED chip	Construction:	Machined aluminum, sheet metal, and molded engineering grade plastic components
Operating Voltages:	120 to 240 Volts AC (auto-ranging)	Color:	Black
Frequency:	50/60 Hz	Weight:	18.7 lbs / 8.5 kg (luminaire only)
Current Draw:	1.3 Amps (115V) / 0.65 Amps (230V) - Maximum load with all LEDs at full RGBW	<b>Optical Specifications</b>	
Power Consumption:	150 Watts (max., RGBW at 100%)	Output:	> 2,000 lumens (white light)
Ambient Temperature:	0° to 40°C (32° to 104°F)	Beam Angle:	18-34 Degrees or 24-44 Degrees (depends on lens option purchased)
Control:	On-Board Menu / DMX512		
DMX512 Channels:	15 Channels (16-Bit Mode) 9 Channels (8-Bit Mode) 3 Channels (3-Channel Mode)		
Standards Compliance:	ETL/cETL Listed and CE Marked		

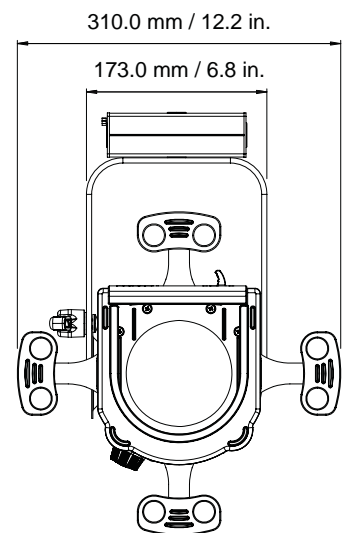


Dimensions

Side View



Front View





Infinite color choices from the RGBW engine and supporting color temperatures from 2700K to 5600K in white.

**Ordering Information**

**Cat No. Description**

<b>PLPROFILE1 LED Luminaires</b>		<b>Accessories - AC Power Input Cables</b>	
<b>PLZS1-1834-03</b>	PLPROFILE1 LED Luminaire, 18-34 Degree Zoomspot, Black, with SC C-Clamp, Safety Cable, and AC Input Cable*	<b>PC1BE</b>	PLPROFILE1 Luminaire AC Power Input Cable (39 inches / 1 meter), Powercon without AC connector (bare end)
<b>PLZS1-2444-03</b>	PLPROFILE1 LED Luminaire, 24-44 Degree Zoomspot, Black, with SC C-Clamp, Safety Cable, and AC Input Cable*	<b>PC1GP</b>	PLPROFILE1 Luminaire AC Power Input Cable (39 inches / 1 meter), Powercon with Stagepin Connector
*Specify AC input connector at time of ordering ( <b>GR</b> - Edison / <b>GP</b> - Grounded Stagepin / <b>GTL</b> - Twistlock).		<b>PC1GTL</b>	PLPROFILE1 Luminaire AC Power Input Cable (39 inches / 1 meter), Powercon with Twistlock Connector
<b>Accessories - Zoomspot Lenses</b>		<b>PC1GR</b>	PLPROFILE1 Luminaire AC Power Input Cable (39 inches / 1 meter), Powercon with Edison Connector
<b>15ACAX1834LT</b>	Acclaim Axial Zoomspot 18-34 Degrees Lens Tray, Black	<b>Accessories - AC Interconnect Cables</b>	
<b>15ACAX2444LT</b>	Acclaim Axial Zoomspot 24-44 Degrees Lens Tray, Black	<b>PC3PC</b>	PLPROFILE1 Luminaire PowerCon Male to PowerCon Female 2.5 Meter Cable for interconnection between units
<b>Accessories - Clamps</b>		<b>Accessories - Luminaire Software Uploader Cable</b>	
<b>SC</b>	Selecon Molded Yoke Rated C-Clamp	<b>PLUPLD</b>	USB Luminaire Software Programming Kit (for updating or reloading luminaire software only) - includes USB to DMX Dongle, Uploader Program, and Carry Bag
<b>MC</b>	Mega Claw, Black Anodized		
<b>Accessories - Top Box Assembly</b>			
<b>PLICB</b>	Spare Top Box (Interconnect) Assembly		

**Philips Selecon**

**Dallas**  
10911 Petal Street  
Dallas, TX 75238  
Tel: +1 (214) 647-7880  
Fax: +1 (214) 647-8031

**New York**  
267 5th Ave, 4th Floor  
New York, NY 10016  
Tel: +1 (212) 213-8219  
Fax: +1 (212) 532-2593

[www.seleconlight.com](http://www.seleconlight.com)  
© Philips Group 2013  
All rights reserved.  
The Company reserves the right to make any variation in design or construction to the equipment described. E&OE

**Auckland**  
19-21 Kawana Street  
Northcote, Auckland 0627  
New Zealand  
Tel: + 64 9 481 0100  
Fax: + 64 9 481 0101

**Asia**  
Unit C, 14/F,  
Roxy Industrial Centre  
No. 41-49 Kwai Cheong Road  
Kwai Chung, N.T., Hong Kong  
Tel: +852 2796 9786  
Fax: +852 2798 6545

**Europe**  
European Service & Distribution Centre  
Rondweg zuid 85  
Winterswijk 7102 JD  
the Netherlands  
Tel: +31 (0) 543-542516

