

Product Specification Sheet

PLFRESNEL1



The PLFRESNEL1 is a general purpose luminaire for theatre, small studio, and display lighting applications. It produces an adjustable cone of light with a soft edge which is easily blended with adjacent beams to provide even illumination. Using LED source technology combined with a traditional Fresnel lens, the PLFRESNEL1 delivers Philips Selecon's industry benchmark quality without the compromising performance of spreader lenses.

The PLFRESNEL1 uses the same proven LED engine as the Philips Selecon PL3, PL1, PLCYC1 and the Philips Vari-Lite VLX ranges meaning colour matching is simplified across the stage. The user interface is the same ensuring ease of use.

A key benefit of the PLFRESNEL1 is that it is no longer necessary to change lamps or colour filter. Combining the superior control and light quality of a Philips Selecon Fresnel with seamless fading between colours allows designers a new level of creativity. Less power consumption and no dimmer circuits makes the PLFRESNEL1 the obvious choice for basic stage lighting.

Features

Single source RGBW LED chip delivers limitless colour mixing and variable colour temperature.

Single units instead of multiple units previously required to mix colour washes on the stage.

Homogenised fully mixed light, no multiple colour shadows.

Quick selection of colour presets.

No need for lamp replacement or filter maintenance.

No need for dimmers, connect directly to mains supply.

PowerCon In/Out Power connectors.

DMX512 Input/Output with 8 or 16-bit resolution.

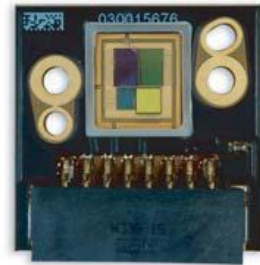
Onboard LCD Menu for ease of addressing/setup.

Fitted with rated safety cable.

PLFRESNEL1 LED Engine

The PLFRESNEL1's powerful long-life LED engine offers exceptional performance and life.

The Philips Selecon three-year limited warranty includes our guarantee against premature failure of the LED engine.



Electrical Specification

Voltage: 100 – 240 VAC

Wattage: 150W Max. (RGBW @100%)

Current: 1.3A @115V / 0.65A @230V

Maximum 20A Thru Current

Approvals



Designed to comply fully with CE standards.

Photometric Data

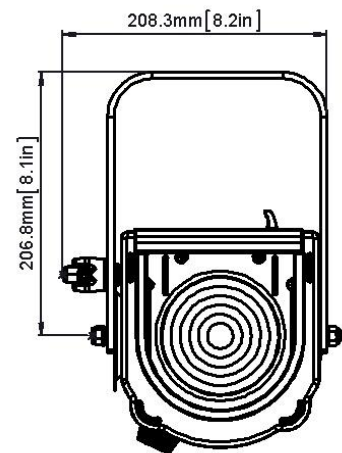
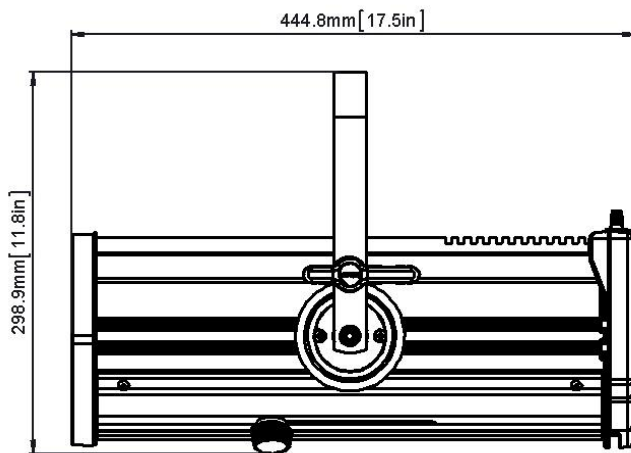
Beam Angle (Field Angle): 15° - 54°
Nominal Chip Lumens : 2000 Lumens
Maximum Chip Power: 120W
Maximum Total Power: 150W

Colour	Chip Only Power (W)
WARM WHITE	64
COOL WHITE	81
DAY LIGHT	100
RED ONLY	23
GREEN ONLY	46
BLUE ONLY	26
WHITE ONLY	30

Physical Data

Weight: 5.6 kg Provisional

Included: 1x M12 suspension bolt and instruction leaflet.



Order Codes

- PLFR1-03** PLFRESNEL-1 supplied with a single power cable and DMX in and DMX out cable, black.
PLFR1-03P PLFRESNEL-1 supplied with a single power cable, NZ/Australia plug and a DMX in and DMX out cable, black.
- PLFR1-03TBX** PLFRESNEL-1 supplied with a single power cable connected to a yoke mounted top box. The top box has Powercon in and out and DMX in and out sockets, black.
- PLFR1-03TBXP** PLFRESNEL-1 supplied with a single power cable connected to a yoke mounted top box. The top box has Powercon in and out and DMX in and out sockets, NZ/Australia plug, black.
- 20BDMF** Four leaf barndoor, black.

Philips Selecon reserves the right to change the specifications without notice (January 2013).

PHILIPS
Selecon