



***ROBERT JULIAT***



UNCOMPROMISING QUALITY  
SINCE 1919

**ROBERT JULIAT IS THE PROUD SUPPLIER OF :** LONDON COVENT GARDEN OPERA HOUSE - NEW YORK METROPOLITAN THEATRE - PARIS BASTILLE OPERA HOUSE - DRESDEN SEMPEROPER, GERMANY - PARIS PALAIS GARNIER OPERA HOUSE - SINGAPORE ESPLANADE, THEATRES ON THE BAY - HONG KONG BALLET - PARIS COMEDIE FRANÇAISE THEATRE - GENEVA GRAND THEATRE, SWITZERLAND - NEW YORK CARNEGIE HALL - SAINT-PETERSBURG KIROV-MARIINSKY BALLET AND OPERA - TEATRO REAL MADRID , SPAIN - OPERAEN, COPENHAGEN OPERA HOUSE, DENMARK - ORIENTAL ARTS CENTRE, SHANGHAI - ATHENS MEGARON CONCERT HALL, GREECE - MÜNCHNER KAMMERSPIELE, GERMANY - MONACO GRIMALDI CONGRESS CENTRE - ANTIGUA CATEDRAL DE SANTIAGO DE MANAGUA, NICARAGUA - RIGA NATIONAL OPERA HOUSE, LATVIA - LONDON ROYAL NATIONAL THEATRE - CLUB MEDITERRANEE HOLIDAY RESORTS - PARIS NOTRE-DAME CATHEDRAL - YALE UNIVERSITY, USA - PALACIO DE BELLAS ARTES, MEXICO - MOHAMMED V THEATRE RABAT, MOROCCO - MILANO TEATRO ALLA SCALA, ITALY - BEIJING NATIONAL CENTRE FOR THE PERFORMING ARTS - PARIS MOULIN ROUGE CABARET - NEW YORK LINCOLN CENTRE - AUCKLAND BRUCE MASON THEATRE, NEW ZEALAND - WORLD TRADE CENTRE, BAHREIN - BROADWAY AND WEST END SHOWS - THEATRE DE LA MONNAIE, BRUSSELS, BELGIUM - SAN FRANCISCO OPERA HOUSE - BALLETS BEJART LAUSANNE, SWITZERLAND - LONDON ROYAL ALBERT HALL - PARIS, MILAN, NEW-YORK FASHION WEEKS - DAEJEON CULTURE HALL, KOREA - BBC STUDIOS, UK - BERLIN DEUTSCHE STAATSOPER, GERMANY -



DURBAN PLAYHOUSE, SOUTH AFRICA - EUROVISION SONG CONTESTS - VENICE TEATRO LA FENICE, ITALY - BEIRUT THEATRE, LEBANON - TOKYO NEW NATIONAL THEATRE - MOSCOW BOLCHOÏ BALLET - PALAU DE LES ARTS REINA SOFIA, VALENCIA, SPAIN - HOLIDAY ON ICE TOURS - ISAAC THEATRE ROYAL CHRISTCHURCH, NEW ZEALAND - NATIONAL THEATRE BUCHAREST, ROMANIA - ANDRE RIEU WORLD STADIUM TOUR - PRAGUE STATE OPERA, CZECH REPUBLIC - CAMBRIDGE NATIONAL THEATRE - AMSTERDAM MUZIEKTHEATER, THE NETHERLANDS - BUDAPEST NATIONAL THEATRE, HUNGARY - P&O CRUISES - MONACO MONTE-CARLO GRAND CASINO - PARIS LOUVRE MUSEUM - NEPAL AMERICAN SCHOOL - TEATRO EL NACIONAL, BUENOS AIRES, ARGENTINA - BOSTON SYMPHONIC ORCHESTRA - BAYREUTH GRAND THEATRE, GERMANY - OSLO OPERA HOUSE, NORWAY - THE FRENCH NATIONAL ASSEMBLY - CINCINNATI OPERA HOUSE, USA - BRUCE SPRINGSTEEN WORLD TOUR - PICCOLO TEATRO DI MILANO, ITALY - UNESCO HEADQUARTERS, PARIS - DISNEY CRUISE LINES, USA - DANISH TELEVISION - PLACE DES ARTS, MONTREAL, CANADA - LAS VEGAS COLOSSEUM - MACAU ARTS CENTRE - BARCELONA GRAN TEATRO DEL LICEO - SAN DIEGO SEA WORLD - SPLIT CROATIAN NATIONAL THEATRE, CROATIA - DET KONGELIGE TEATER, COPENHAGEN, DENMARK - CANNES FILM FESTIVAL PALACE, FRANCE - LONDON ENGLISH NATIONAL OPERA - CELINE DION - RTL TV GROUP - BELGRADE THEATRE, SERBIA - TEATRO MUNICIPALE DI PIACENZA, ITALY - LISBON DONA MARIA II NATIONAL THEATRE, PORTUGAL - OPERA DE VERSAILLES, FRANCE - BANGKOK CENTRAL WORLD PLAZA, THAILAND - PYOTR FOMENKO THEATRE, MOSCOW, RUSSIA



# ROBERT JULIAT:

## INNOVATION THROUGH EXPERIENCE



**Robert JULIAT**  
CEO from 1919 to 1972



**Jean-Charles JULIAT**  
CEO from 1972 to 2008



**François JULIAT**  
MD since 2008

The heritage of Robert Juliat is one of which we are very proud. Founded in 1919 by my grandfather, Robert, our company is the oldest manufacturer of theatre lighting equipment still in existence. Continuing in the tradition of my great-grandfather, Jean JULIAT, who worked as technical assistant to George MELIES, creator of the first visual effects in movie history, we have always made it our policy to innovate rather than re-create with our designs. Past Robert Juliat innovations, such as the first HMI followspots, have since been adopted by other manufacturers.

Throughout our long history of creating breakthrough products, Robert Juliat has always had a practical purpose in mind. New technology is only worth developing if it answers the needs of our customers. By customers I do not mean only lighting designers but also the technicians who work with our luminaires. Listening to our customers' opinions is a key part of our success. We combine their views with our passion for lighting to produce the finest lanterns in the world, designing our fixtures as much for ergonomic perfection as for optical and mechanical excellence.

We take seriously the label 'Fabriqué en France'. All our products are made in France to enable us to closely monitor and maintain our quality standards. But more than this, it reflects the emphasis we place on adding value through innovation, allowing us to react quickly to market demand and customer feedback.

At Robert Juliat, we understand what it takes to make the customer happy. From the moment they consider our lanterns, throughout the working life of each fixture, we devote our energy to winning, and deserving, their confidence in our products and our service.

We are proud of our history, our experience, our innovation and our ability to develop with the times. We look forward to continuing to provide you with the lighting products you want in the future.

**François JULIAT,**  
Managing Director

# OVER 90 YEARS OF MADE IN



## 1919 | *The Beginning*

Robert JULIAT, the man, founds a company designing and manufacturing lighting and projection equipment for cinemas.

## 1920 – 1960 | *Cinema Lighting*

Robert Juliât produces carbon arc projectors for cinema, manufacturing every component involved. A tradition of live entertainment in front of the cinema screen before each film highlights a need for a different style of lighting. Robert JULIAT responds by creating and supplying purpose-built lighting fixtures and has been the forerunner of single lens lanterns design since 1923, when its first plano-convex lantern was released.

## 1960's | *Theatrical Lighting*

Robert Juliât carbon arc projectors continue to be supplied to cinemas throughout the '60s. Jean-Charles JULIAT, who joined the team, broadens the company horizons, working on 'son et lumière' productions and steers the company towards the development of stage lighting.

## 1972 | *Robert Juliât SA*

Jean-Charles JULIAT becomes company manager and the status of the firm are changed to "Robert Juliât SA".



## 1976 | *First HMI Followspot*

Robert Juliât introduces the first HMI followspot with integrated PSU, the 575 W Pixie, and thereby introduces a concept adopted since by other manufacturers.

## 1990 | *First DMX-Controlled Profiles and Followspots*

In an industry first, DMX dimmer control is introduced across Robert Juliât's range of HMI profiles and followspots.

## 1999 | *First Followspot Award: Cyrano*

Robert Juliât is the first manufacturer to receive an LDI award for followspot design when the newly released Cyrano 2500 W HMI followspot is named LDI Lighting Product of the Year. The award is bestowed for its outstanding quality and features which include the ergonomics of the large heat resistant, wrap-around handle and the rotating fingertip dimmer control.

## 2002 | *Extension of the Plant*

Increasing popularity and market demand leads to an extension of the premises at Fresnoy-en-Thelle. The current factory occupies over 7,000 m<sup>2</sup> (75,000 sq ft).



## 2003 | *Robert Juliât USA*

François JULIAT forges links with America and international expansion in mind. Robert Juliât opens its American branch under the management of Fred LINDAUER and Robert Juliât USA is born.

## 2006 | *Second Followspot Award: Super Korrigan*

The newly introduced Super Korrigan 1200 W followspot wins the LDI Lighting Product of the Year award, sparking a rush for theatres to obtain the new model.

# UNCOMPROMISING QUALITY FRANCE

## **2007 | Lancelot Gallops In**

Robert Juliat redefines the concept of the followspot when it creates the 4000 W HTI Lancelot – the first long-throw dynamic effects projector.



## **2008 | New Leadership for RJ**

François JULIAT continues the family tradition by becoming the new Company Manager.



## **2010 | Lighting the Future With LED**

RJ presents Aledin, the first profile to use an LED light source in a combination of power and amazing projection ability. An economical and ecological solution that is recognised by the 2010 Award for Innovation at PLASA, Aledin proves an immediate hit amongst TV studios, theatres, museums and production companies.

## **2012 | Tibo and Zep**

After successfully introducing the first framing spotlight with LED light engine in 2010, Robert Juliat launches two innovative ranges of spots that combine excellent dimming with homogenous projection quality : Tibo, a compact and lightweight solution in a modern design, and Zep, a powerful LED series of profile and Fresnel spots.

## **2014 | Merlin, the touring followspot for rentals**

A robust package that beats the rigours of touring! Merlin covers both long and medium throw ranges in one unit and delivers a performance that outshines the ever-increasing power of LED lighting and videowall backlighting.



## **2015 | PLASA Awards for Innovation with Dalis cyclight**

Winner of PLASA Award for Innovation 2015, the new LED cyclorama batten is 'well designed and elegant with a beautiful colour rendering' according to PLASA judges.

## **2016 | Dalis footlight**

The Dalis 862 footlight receives a special commendation at PLASA Award for Innovation 2016.

**Follow us on**

facebook.com/RobertJuliat.TheOfficialFanPage  
twitter.com/ROBERT\_JULIAT  
pinterest.com/robertjuliat  
youtube.com/c/RobertjuliatFrance





ROBERT JULIAT  
2007

ROBERT JULIAT  
2007

## WHY ROBERT JULIAT ?

### SUSTAINED IMPROVEMENT THROUGH INDUSTRY EXPERIENCE

**R&D** – Our R&D department works very closely with our sales department to design products perfectly suited to customers needs. We are very concerned about the environment, so we take into account the requirements of recycling processes from the start of the product design.

**Production** – All components in every Robert Juliat product are of a high standard. If a standard component does not meet our quality requirements, we have it custom-made to match our specific criteria. Every Robert Juliat product is fully manufactured on the premises so we retain complete control over all aspects of quality.

**Assembly** – For motivation and efficiency everyone on our staff is cross-trained to build our full range of products. We are an environmentally conscious company and our policies on waste management and use of materials exceed all regulations.



**Quality control** – As random testing is insufficient for Robert Juliat, we test each product individually for optical, mechanical, electronic and grounding accuracy before it leaves the factory.

**After sales & spares** – By keeping our production in-house, and with 22,000+ discrete components permanently in stock, we ensure all parts are readily available, both for our own production and as spares for our customers. All Robert Juliat products, including architectural products, come with 2-year warranty.

**Logistics** – We know how important deadlines are in our industry. Robert Juliat customers can testify that our efficient production management system enables us to give accurate delivery dates. Heavy-duty packaging ensures that all products will arrive in perfect condition.

**Sales department** – Our main priority is to provide each customer with solutions, supplying products which meet his or her requirements. We draw on our experience and specific case studies to achieve this goal. We provide our distributors and customers with in-depth training on our products.





# ROBERT JULIAT

## LEADING THE MARKET IN QUALITY SINCE 1919

**Quality construction** – All fixtures are manufactured to be durable enough to withstand even the toughest of touring conditions while each high quality component ensures complete reliability under show conditions.

**Ergonomic perfection** – From the large wrap-around, heat-resistant followspot handle, to the thumb-rests on the profile shutter lock, each fixture offers exclusive features to make operation a pleasure.

**Optical excellence** – The Robert Juliat optical system is based upon condenser optics which collects the maximum amount of light and produces a flat, even beam with no hotspot and little drop off at the edge of the beam. The result is a crisp, consistent spread of light, guaranteeing a smooth general coverage and unsurpassed image projection.



**Ease of maintenance** – With the technician in mind, Robert Juliat designs fixtures with easily removable components to make RJ fixtures the quickest to set up and the easiest to maintain.

**Value for money** – Robert Juliat luminaires provide excellent return on investment due to quality construction guaranteeing long life, modular construction and zoom optic versatility. Man-hours and maintenance time are reduced, spares stock levels are kept to a minimum and the quality of build guarantees a durable product with a long working life and an optimum return on investment.

**Customer care** – Consultation and consideration are company watchwords. The sales team works together with R&D and after sales team departments to determine customers needs, and consults focus groups of end-users to formulate designs for the ideal product. In this way we provide answers for present needs and keep Robert Juliat at the front of future developments.

**Environmental consciousness** – We make every effort to produce all products with a respect for the environment. All our manufacturing is concentrated in one plant, at our headquarters, thereby avoiding any fuel waste caused by freighting part-assemblies between factories. Our policies on waste management and use of materials exceed the requirements of EU directives and we apply regulations in accordance with WEEE and RoHS standards. Our best example is the introduction of our new LED ranges that put RJ ahead of the field in combining power and quality with economy and environmental sensitivity.

# CREATING THE LIGHTS OF TOMORROW

LEDs constantly provide new solutions in lighting across several market sectors, and Robert Juliat has responded by creating new products that combine high output LED light sources with Robert Juliat mechanical and optical excellence. The introduction of Tibo, Zep, Dalis and Roxie means the Robert Juliat portfolio now offers an LED version of every conventional fixture type – Fresnel, profile, followspot, footlight and cyclorama lights – in addition to the traditional light sources of tungsten and discharge.

## Theatre

Zep fixtures offer theatres a choice of different colour temperatures which remain constant when dimming, combined with an extremely even beam. The Zep Fresnel is capable of an extremely wide beam angle; the Zep profile gives fine gobo projection.

The Tibo range presents a bright lighting solution in a compact body. It features an outstanding optical design that gives a choice of two different zoom ranges within one single unit. Further cost savings are made because LEDs require no dimmers, and maintenance and air-conditioning requirements are reduced because LEDs emit far less damaging heat – all of which means easier handling for the technician.

The award-winning Dalis cyclorama light has been designed for theatrical, television and entertainment applications. Its unique design blends 8 LED colours into an extremely wide colour palette with a perfectly even spread over any surface. Its silent, fanless cooling system and operation is perfect for sound sensitive environments like opera houses and studios.

## Architectural

Easy to install and lower in energy consumption, the Robert Juliat LED ranges offer cost savings in more ways than one.

The long LED life ensures LED light sources are a great solution for hard to reach areas and perfect for long term projections. The absence of UV / IR emissions ensures protection for sensitive objects such as works of art, museum exhibits and theatres' historic décor. Low heat emission means less wear and tear on the fixture and therefore less maintenance, and fewer man-hours.

## TV Studio

Crucial to television studios is a lantern's quality of light, constant colour temperature when dimming, and flicker-free power supply, all of which are offered by the RJ LED profiles, Fresnels and cyclorama lights. These fixtures offer a flat, even beam with no hot spot, with soft and sharp beam shaping. Running costs are slashed while less heat means less maintenance and less air-conditioning.

## Event

Zep and Tibo LED profiles are invaluable for easy, cost effective event lighting. There is no need for costly installation and cabling and less time is spent setting them up. The Tibo LED light source is so cool that even plastic gobos can be placed in the gate, which can be printed on standard desktop printers to minimise costs.

Dalis adds a special touch to corporate events with its wall wash capabilities that can be finely tuned to match any colour scheme or design. Six coloured and two white LEDs give access to an extremely wide colour gamut and an impressive range of pastel tones. Each LED emitter can be controlled independently, with up to 16-bit control, providing a subtle and clever mix of colours for an infinite range of possibilities.

Finally, Roxie, Robert Juliat's first LED followspot, can be relied on to pick out the stars of the show. Roxie is a compact, energy efficient followspot that keeps running costs down and performance high. Use it to add a dazzling finishing touch to any event.

# CONTENTS

## SINGLE LENS LUMINAIRES

### 300 Range

Zep 340LF / 360LF	5
Lutin 306L	7
310H	8
329H	9
Cin'k 325 / 350	11
Cin'k 312 / 326	12 - 13

### Tibo Range

535	15
-----	----

## PROFILE SPOTS

### SX Range

Zep 640SX / 660SX	21
600 Series	22
700 Series	23
Quincy	24
D'Artagnan	25

### Tibo Range

533	29
503	30
523	31

## FOLLOWSPOTS

### Ultra Compact Range

Roxie	35
Cricket	36
Buxie	37

### Compact Range

Ginger / Alex	40
Manon / Topaze	41
Lucy / Super Korrigan	42
Flo / Victor	43

### Grand Range

Aramis	46
Cyrano	47
Lancelot	49

### Touring Range

Merlin	55
--------	----

## AMBIANCE LIGHTING

### Cyclights/Footlight/Washlight

Dalis 860	61
Horus	62
Solo & Quadri	63
Dalis 862	64
Dalis 861	65

## DIMMERS

Tivoli	68
Digitour	69

Range Overview	70 - 71
----------------	---------

Range Characteristics - Accessories	72 - 77
-------------------------------------	---------



*Sadler's Wells, London, Run Mary, Run by Arthur Pita, Natalia Osipova's triple bill | photo by Bill Cooper*

## SINGLE LENS LUMINAIRES

### DEVELOPING AHEAD OF THE MARKET

Robert Juliat, the founder of the current company, designed the first Robert Juliat PC fixture in 1923 for the fledgling moving picture industry.

With the ability to think beyond conventional technology, the company has been a forerunner of lighting product design since those early days, constantly finding innovative solutions to improve upon the quality of its products – both in terms of beam and build – until it has reached the high and constant standards for which it is renowned throughout the world today.

This fresh approach continues into the current generation. The modular design of the Lutin and Cin'k Fresnels has set new standards in single lens luminaire design by providing a multi-faceted solution in a brilliantly simple package. Boundaries continued to be stretched with the arrival of Aledin 330, a new LED Fresnel, in 2011, which subsequently developed into the Zep 340LF & 360LF LED Fresnels.

The latest example of Robert Juliat innovation is the Tibo range which incorporates the Tibo Fresnel, a brand new tool in the Robert Juliat portfolio. Extremely compact, this LED fresnel is ideal for wash light, back and side light.

Whatever the size or type of venue, Robert Juliat's single lens luminaires provide the optimum solution.

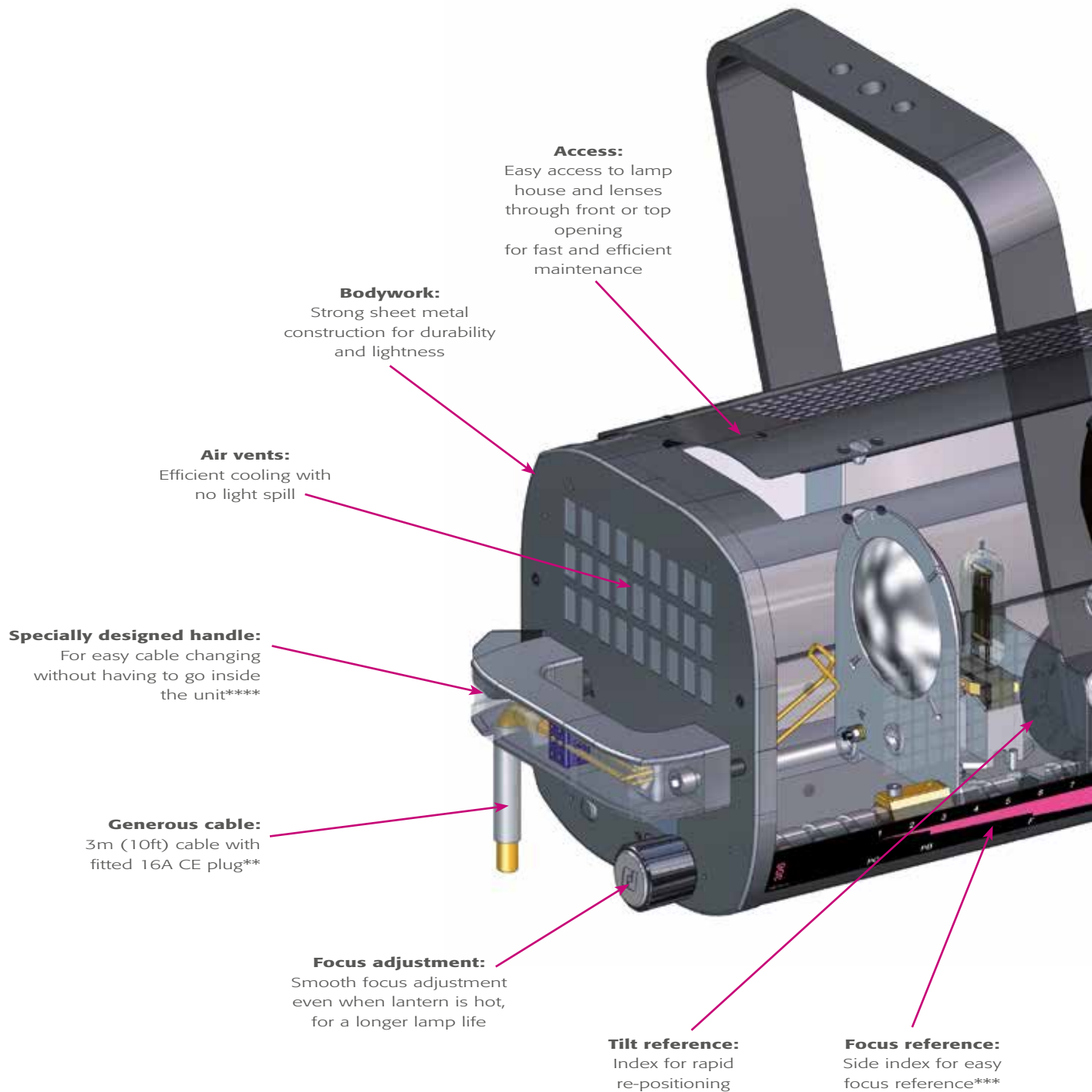


### 3 types of lenses, 3 types of beams

**1 - Plano-Convex (PC):** Clear lens giving a hard-edge beam with no 'spill'. Variable zoom gives more coverage than a profile, and a more flexible alternative than fixed-beam units. Ideal for front light, backlight and for dramatic highlights.

**2 - Pebble-Convex (PB):** Stippled lens gives less light diffusion than a Fresnel, yet without the hard edge of a PC. Use where soft edges and smooth blending are required but with more control.

**3 - Fresnel:** Fresnel lens gives soft shadows for smooth blending between fixtures giving an even general coverage. Ideal for wash light, back and side lighting.



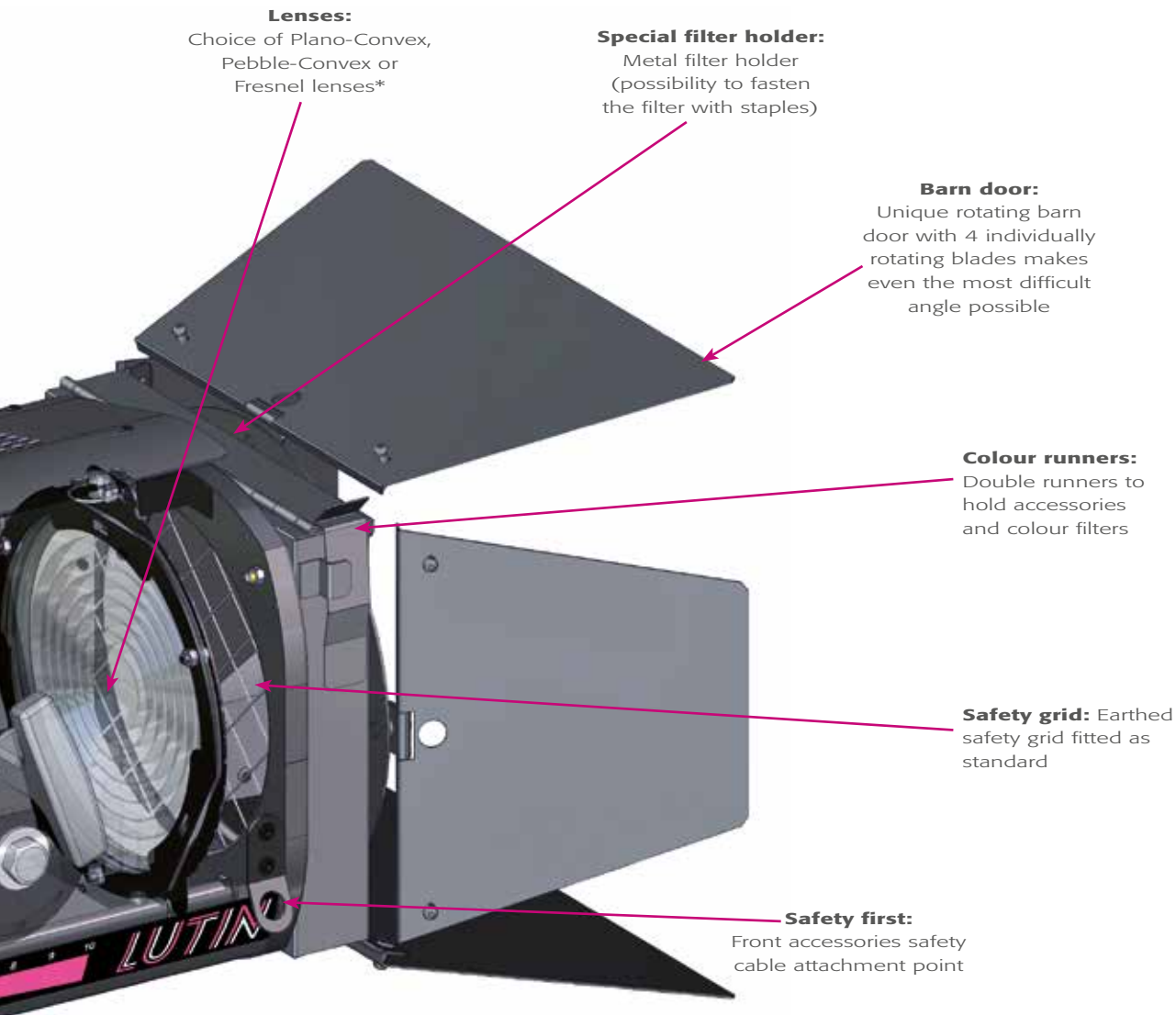
(\*) except Cin'k

(\*\*) depending on country

(\*\*\*) except 310 & 329

(\*\*\*\*) 306, 325, 350 and 312

## 300 RANGE OVERVIEW



”

*I have been lucky to use Robert Juliat lanterns for over 16 years, both at the Royal Opera House and the National Theatre. They are extremely reliable and easy to use, with the flexibility of Fresnel, pebble convex or plano convex lens options within one lantern body. The ROH employs the full range of units, from RJ 310HPC to RJ 326 Le Cin'k MSR units, to serve the range of venues and productions. At the National Theatre, RJ 306 Lutin units and RJ 325LF Fresnel fixtures are used to supplement moving light rigs, which gives the lighting designers extra flexibility in areas where space is an issue and a good quality of light is required. Maintenance of equipment is straightforward with easy-to-obtain spare parts ensuring a longevity of lanterns once purchased. Accessories such as colour frames, and RJ's distinctive rotating barn doors housed in the double colour runner, make using the lanterns effortless and uncomplicated.*

**Paul Hornsby**  
Lighting Resources Manager,  
National Theatre, London, UK







## LED

### ZEP

360LF - LED 300 W

340LF - LED 150 W

With their high output LED, their 200 mm Fresnel lens and their great beam quality, these fixtures give a very powerful wash effect.

Presenting an exceptional flat and variable beam angle, these LED Fresnels are ideal for fill lighting in TV studios. Beam shaping can be achieved with great precision by the addition of RJ's unique, individually rotatable barndoors.

The Zep Fresnel represents an economical solution as it extends colour filter life due to its low heat output, and requires fewer maintenance calls thanks to its extra-long-life LED. Particularly attractive is its electronic flicker-free dimmable PSU. The versatility offered by the choice of different colour temperatures makes the Zep perfect for studios, theatres, and events, as well as architectural applications.

- Single Lens Luminaires features (see pages 2 & 3)
- Lens size: 200 mm (8")
- Variable beam angle
- 150 W and 300 W LED sources – 50,000 hours\*
- 340LF available in warm and cool white
- 360LF available in warm, cool, neutral daylight and variable white
- Constant colour temperature when dimming
- Built-in electronic flicker-free dimmable PSU
- Silent operation
- Local and remote DMX control (wireless DMX as an option)

(\*): Manufacturer's data



**340LF**  
LED 150 W



**360LF**  
LED 300 W





# TUNGSTEN

## LUTIN

### 1000 W TUNGSTEN

Lutin is a multi-purpose 1K fixture with a host of unique design features – including a choice of 3 quick-change lenses – making it the most versatile and economical unit of quality on the market. It can be used as a Fresnel for coverage, a Pebble for soft light and a PC for directional light. As a 3-in-1, compact, easy-to-use fixture, Lutin offers dual savings, requiring less capital expenditure and less storage space.

Especially valuable in multi-purpose venues, repertory theatre and rental companies where the interchangeable lens can be put to full use, Lutin is also of benefit to schools, colleges and venues with limited budgets.

- Single Lens Luminaires features (see pages 2 & 3)
- Lens size: 150 mm (6")
- Choice of 3 fast-change lenses – Fresnel, PC & PB – with no tools required
- Easy access via large top opening for fast lamp changing, lens changing and cleaning
- Unique handle design for fast cable changing
- Side index for easy focus reference
- Internal cable guide to prevent cables from becoming entangled in movable lamp tray
- Tilt pointer on hanging yoke
- Unique rotating barn door with 4 individually rotating blades



**306L**  
1000 W tungsten



# TUNGSTEN



**310H**  
1000/1200 W tungsten

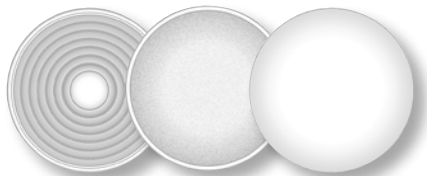
## 310H

1000/1200 W TUNGSTEN

With its unique 200 mm lens the 310H has no equivalent on the market for light output and quality of beam. The wider the lens, the greater the light output and, with its great beam angle, it is a truly high performance unit. Offering broad coverage with a smooth, even beam, the 310H is also designed for easy maintenance and has a well-earned reputation for reliability.

The 310H is at home in every venue, large and small.

- Single Lens Luminaires features (see pages 2 & 3)
- Lens size: 200 mm (8")
- Choice of 3 lenses – Fresnel, PC & PB
- Easy access from front-opening door
- Tilt pointer on hanging yoke
- Efficient cooling with no light spill
- Unique rotating barn door with 4 individually rotating blades



# TUNGSTEN

## 329H

### 2000/2500 W TUNGSTEN

The 329H has long been the industry standard for 2.5K units and is a favourite in theatres, opera houses and concert halls the world over.

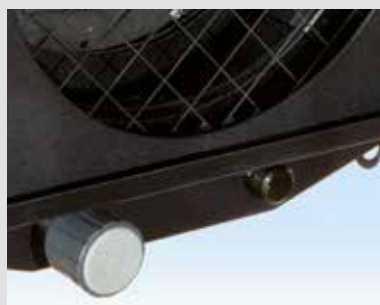
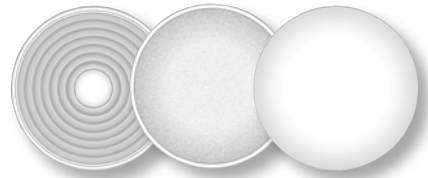
Unlike most products on the market which use GY16 lamps, Robert Juliat uses a G22 lamp socket which guarantees the 329H's reliability, holding the lamp securely in place to ensure there is no electrical arcing, even when the fixture is pointing vertically downward. The socket also offers a longer lamp life and enables the use of a 2500 W lamp.

Ideal for medium to large venues and for rental companies, the 329H is now a classic!

- Single Lens Luminaires features (see pages 2 & 3)
- Lens size: 200 mm (8")
- G22 socket – accepts 2000W and 2500W lamp
- Choice of 3 lenses – Fresnel, PC & PB
- Easy access from front-opening door
- Tilt pointer on hanging yoke
- Smooth-running lamp adjustment from front or rear
- Unique rotating barn door with 4 individually rotating blades



**329H**  
2000/2500 W tungsten





*King Lear, Palais des Papes (France)*

# TUNGSTEN

## CIN'K

### 2000 - 5000W TUNGSTEN

With its unique modular system of interchangeable lamp bases and its purpose built gel cassette, the Robert Juliat Cin'k is a 5K Fresnel designed specifically for theatres, but with a flexibility to suit any venue or purpose.

Its 250 mm lens gives an output which exceeds that of comparable 300 mm fixtures, and its theatre-inspired front cassette has no light spill to distract audiences or performers, or detract from beautifully crafted lighting designs.

Cin'k is ideal for theatres and opera houses, in large venues and for rental houses.

- Single Lens Luminaires features (see pages 2 & 3)
- Choice of 2000 W / 2500 W / 5000 W tungsten lamps
- Lens size: 250 mm (10")
- Double runners to hold accessories and colour filters
- Silent cooling fan for colour cassette to extend the life of dark colour gels (350 LFV)
- Special handle design for fast cable changing (except for 326LFV)
- Side index for easy focus reference
- Unique rotating barn door with 4 individually rotating blades



**350LF**  
5000 W tungsten



**325LF**  
2000 W / 2500 W  
tungsten



**350LFV**  
5000 W tungsten  
with fan-cooled front cassette

Can also be transformed into a discharge unit with :



**312LF**  
1200 W discharge



**326LFV**  
2500 W discharge  
with fan-cooled front cassette

(see next page)



## DISCHARGE



**326LFV**  
2500 W discharge



**312LF**  
1200 W discharge

Can also be transformed into a tungsten unit with :



**325LF**



**350LF / 350LFV**

(see previous page)

## CIN'K

## 1200/2500 W DISCHARGE

A simple change of lamp compartment transforms Cin'k into a discharge unit ideal for use in TV studios, film lighting and rental companies. The resulting cool colour temperature is also perfect for ballet or creating day light effects.

Like its tungsten counterpart, its 250 mm lens ensures a powerful output while the theatre-inspired front cassette gives no light spill so providing an alternative to the current film lighting method of attaching filters with clips. Smooth dimming can be achieved with no change in colour temperature by the addition of a Jalousie 2 digital dimmer (see page 13).

- Single Lens Luminaires features (see pages 2 & 3)
- Choice of 1200 W / 2500 W discharge lamps
- Lens size: 250 mm (10")
- Double runners to hold accessories and colour filters
- Silent cooling fan for colour cassette to extend the life of dark colour gels (326LFV)
- Special handle design for fast cable changing (except 326LFV)
- Side index for easy focus reference
- Optional DMX remote controlled ignition (326LFV only)
- Unique rotating barn door with 4 individually rotating blades
- Jalousie 2 : optional DMX-controlled digital shutter for the dimming of discharge units





## DISCHARGE

### CIN'K ACCESSORIES JALOUSIE 2

Jalousie 2 is a high resolution, DMX-operated, digital motorised shutter for discharge fixtures which cannot be electronically dimmed. Using a series of rotating blades, speed of movement can be precisely regulated to create effects from the subtlest of dimming to flash and blackout effects.

Control can be local or remote from a lighting desk while the light shield ensures that there is no light spill from the sides of the unit and blackout is complete.

- Two sizes available (aperture sizes: Ø280 mm - Ø340 mm) - can fit most of the standard market Fresnel fixtures
- Dimming control from 0% to 100%
- Local and DMX remote control
- Light shield included
- Adaptation plate supplied for RJ products only





## LED



**535**  
75 W LED

## TIBO - 535

LED 75 W

Ideal for wash light, back and side lighting, Tibo LED Fresnel is an innovative, energy efficient lighting tool.

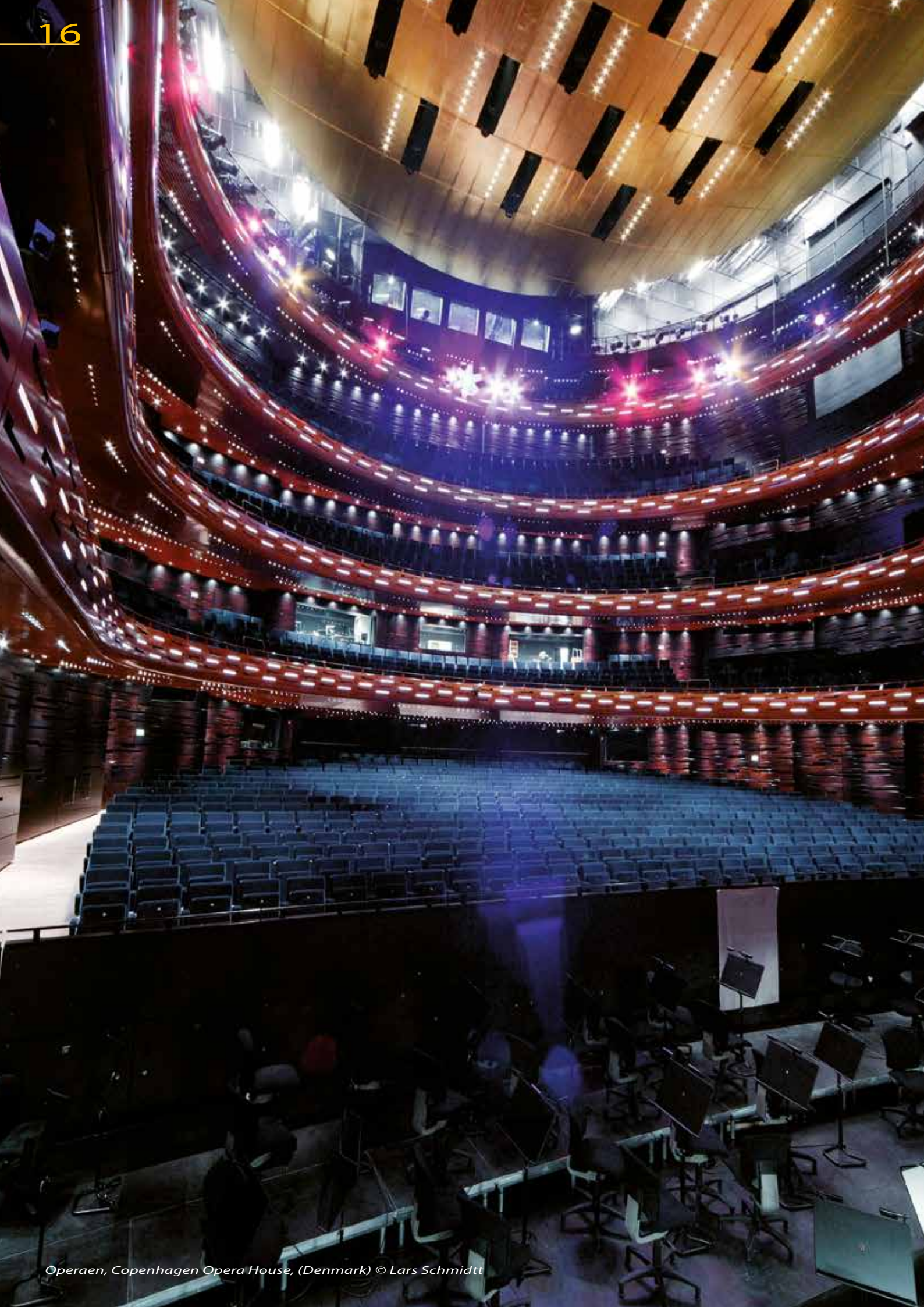
It features an excellent optical system and colour temperatures which remain constant when dimming. Cool or warm white washes can be achieved without the need for colour correction filters and the reduced light output these cause.

Tibo LED presents an economical solution as its low heat output and extra long-life LED source (50,000 hours according to manufacturers specifications) means less heat damage and less maintenance.

All Tibo LED units have a flicker-free ballast which makes them suitable for film, television and studio environments as well as in conventional theatre.

- Die-cast aluminium bodywork
- 360° rotating body
- Unique RJ barn door with 4 individually rotating blades
- Smooth focus adjustment possible with a user-friendly system
- Lens size : 130 mm (5")
- Available in three colour temperatures (WW 3000K, NW 4000K and CW 6500K)
- Variable white model available ranging from 2700K to 5700K (30W only)
- Flicker-free PSU
- Silent operation
- Run up to 35 Tibo 535 from a single domestic power outlet 230V 16A





## PROFILE SPOTS

### EXCLUSIVE DESIGNS, OUTSTANDING OPTICS

Robert Juliat wanted to design an optically superior fixture which would provide the solution to the many different needs of its customers more comprehensively than any other fixture.

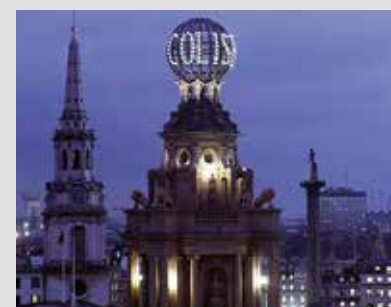
The current range of Robert Juliat zoom profiles is the result of consultation with end-users, from across a wide range of disciplines, on what would make the ideal profile fixture. The result is an unparalleled combination of exclusive operational features, mechanical and optical quality, modularity, versatility and ease of maintenance.

We offer a comprehensive zoom range covering all angles, from the very wide needed for smaller venues and short throw applications to the very narrow for the long throw of large scale venues. The zoom lenses give flexibility to each unit and, combined with the quality of light offered, provide a product to fit all sizes of budget, big and small.

In 2010 we launched Aledin 630, the first LED profile to combine power with superb optical qualities. Aledin was the first to provide a truly useable, economical and ecological solution for TV studios, theatres, museums and production companies - a fact recognised by the 2010 Award for Innovation at PLASA.

The range of Robert Juliat zoom profiles are now enhanced with two innovative ranges : Zep and Tibo.

Lighting designers, technicians and business owners alike value Robert Juliat profiles for their exclusive operational features, reliability, fast maintenance and availability of spare parts, and the cost savings all these afford.



### SX OPTICAL SYSTEM

The Robert Juliat optical system implemented in all profiles and followspots is based upon double condenser optics and a variable zoom.

This ensures the maximum amount of light, a flat, even beam with no hotspot, and excellent image projection at all beam angles.

Images and shutter cuts are projected, with unparalleled sharpness, across the full beam width, in marked contrast to ellipsoidal optical systems. Factory-aligned optics ensure the same beam aspect in each fixture, even after

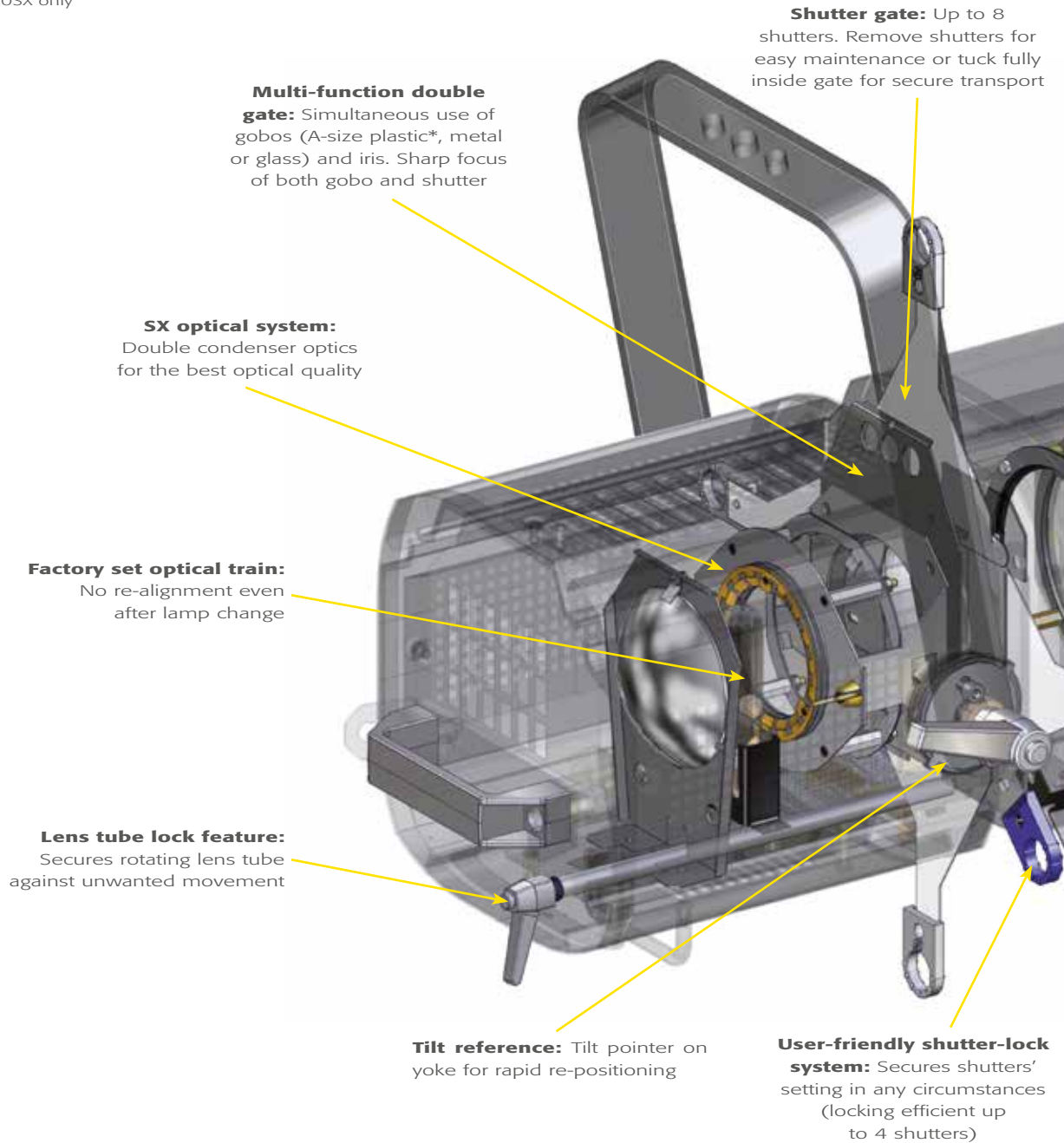
a change of lamp, so no time-consuming lamp realignment is necessary.

High quality lenses come as standard, and not as an optional extra at additional cost.

The variable zoom feature means there is no need to purchase, change or store additional lens pipes, thereby saving money, time and space.

The flat beam gives more coverage per fixture, which means fewer fixtures, less cabling, fewer dimmer channels, lower running costs and less maintenance time.

(\*) Zep 640SX only



#### And also:

- **Bodywork:** strong sheet metal construction for durability and lightness
- **Moving parts:** smooth at all times, even when hot
- **Easy access to all parts:** easy cleaning, re-lamping and maintenance
- **Captive knobs and handles:** additional security when working at height or in transit
- **Spare parts and accessories:** uniform across the SX range (tungsten, discharge or LED), reducing running costs

## SX RANGE OVERVIEW

### 90° rotating lens tube / gate / front accessories holder:

Rotation of the projected image is always possible while the lamp remains vertical – no need to move the yoke

**Single and double colour runners:** Variety of sizes to match local standards

**Variable zoom:** Independent control of image size and focus. Focus handles on both sides for simultaneous operation

**Easy focus reference:** Graduated scale on side of lantern; fast and easy refocusing

**Internal glass filter holder:** Long term use of durable coloured, dichroic and textured glass or gels\*

”

*One of the most difficult moments when creating a lighting design lies in the moment you work on the focus, because you can often lose precious time, or even your nerve. When technicians are located at the top of the truss or FOH, adjusting the focus, all sorts of problems may occur: a shutter which doesn't fasten or turn easily, a lens assembly which is just too hard to handle. Robert Juliat's smooth mechanism for lens and shutter adjustments, their easy handling, and absolute precision are all valuable features which help me to save time and be very demanding with the light. When I see the 700 Series installed in the FOH, I know I can always rely on the quality of light and brightness, without duplicating the number of fixtures and generating unnecessary double shadows or lights. The scene will be perfectly balanced with an even distribution of light! Once again, it is the output and performance of these sophisticated luminaires which ensure I get the best from my lighting design.*

**Carlos Torrijos**  
Lighting Designer, Studio and Light,  
Madrid, Spain







## LED

## ZEP

660SX | LED 300 W

640SX | LED 150 W

Get enhanced performance with the new ZEP family members!

Combining power with a smooth flat beam, the new Zep 640SX and 660SX LED profile spots can be used as a direct complement or replacement for traditional 1k or 2k units but use only 150 W and 300 W of long life LED power resulting in huge cost saving.

Zep features an excellent colour rendering index and suit every application from the smallest theatre to the largest spectacular.

Zep spots offer a wide choice of colour temperatures with enhanced CRI reaching 92.

The integral flicker-free, dimmable, electronic PSU is ideal for studio applications; zero UV / IR emissions ensure protection for audiences, works of art and delicate or historic environments.

- SX range features (see pages 18 & 19)
- 150 W and 300 W LED sources – 50,000 hours\*
- 640SX available in warm, neutral daylight and cool white
- 660SX available in warm, neutral daylight, cool, and variable white
- Built-in electronic flicker-free dimmable PSU
- Strobe function
- Choice of plastic (640SX only), metal or glass gobo
- 3 variable zoom options: 28° - 54°, 16° - 35° and 11° - 26°
- Silent operation
- Run up to 19 Zep 640SX and 10 Zep 660SX from a single domestic power outlet 230V 16A

(\* ) Manufacturer's data



**644SX | 664SX**  
16° - 35°



**643SX | 663SX**  
28° - 54°



**641SX | 661SX**  
11° - 26°



## TUNGSTEN



**614SX**  
16° - 35°

## 600SX SERIES

### 1000/1200 W TUNGSTEN

Perhaps the most versatile of the Juliat profiles, the 600SX is the classic 1K/1.2K theatre fixture. Available with 3 different variable zoom options to cover every throw distance required, the 600SX is equally happy with on-stage positions, overhead and on side booms, on prosceniums and front of house.

Its advanced functions and optical quality make this fixture indispensable in opera houses, theatres and studios.

The 600SX's interchangeable lamp bases can be swapped with those of the Quincy range to give a choice of tungsten or discharge.

- SX range features (see pages 18 & 19)
- Available with 3 variable zoom options: 28° - 54°, 16° - 35° and 11° - 26°
- Interchangeable lamp bases with Quincy (MSD 575W) series
- Convection cooled lamp house requiring no fan



**613SX**  
28° - 54°



**611SX**  
11° - 26°



# TUNGSTEN

## 700SX2 SERIES

2000/2500 W TUNGSTEN

Combining power with a smooth flat beam quality, the 700SX2 is the ideal profile for all long throw applications in medium to large theatres and opera houses.

Four lens tube options from short throw to very long throw include an extremely narrow 8°-16° lens for very long throw distances with no outsized lens tube.

The medium 15° - 40° 714SX2 model is a favourite fixture for TV studios, especially on talk shows and news reports.

The 700SX2's G22 lamp socket is extremely reliable, holding the lamp securely in place to ensure there is no arcing, even when the fixture is pointing vertically downward. The socket also offers a longer lamp life and enables the use of a 2500 W lamp.

- SX range features (see pages 18 & 19)
- Available with 4 variable zoom options: 29° - 50°, 15° - 40°, 10° - 25° and 8° - 16°
- Silent cooling fans — ideal for opera houses and studios
- G22 socket locking system exclusive to Robert Juliat — accepts 2000 W and 2500 W lamp



**714 SX2**  
15° - 40°



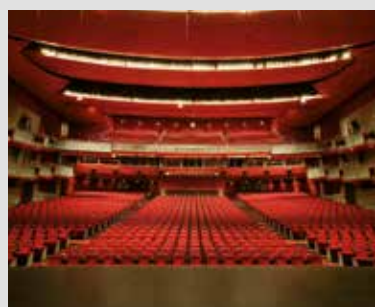
**711 SX2**  
8° - 16°



**713 SX2**  
29° - 50°



**710 SX2**  
10° - 25°



## DISCHARGE



**424SX**  
16° - 35°



**421SX**  
11° - 26°



**423SX**  
28° - 54°

**QUINCY**

575 W MSD

Quincy is a bright discharge light source, ideal for projecting logos and images at corporate events or for architectural enhancement. Its A-size gobo gives maximum image area while the lens quality ensures sharply focused images. It is the perfect solution for projecting static images without having to resort to complex and demanding moving lights and DMX controllers.

Flexible and cost-effective solutions are offered by transforming a standard tungsten theatre profile spot into a discharge unit simply by changing the lamp base.

- SX range features (see pages 18 & 19)
- Available with 3 variable zoom options: 28° - 54°, 16° - 35° and 11° - 26°
- Long lamp life (2000h)
- High colour temperature (6000K)
- Hot restrike
- Electronic PSU
- Excellent gobo projection
- Interchangeable lamp bases with 600SX (1000/1200 W tungsten) series



## DISCHARGE

### D'ARTAGNAN 2500 W METAL HAUBE

D'Artagnan is the one to call on when you need power! With no equivalent on the market, the 2500 W D'Artagnan is the most powerful of profiles.

Indispensable for dramatic effects at the opera, it is also ideal for outdoor TV recordings, fashion shows and large trade fair stands. It is the benchmark among profile spots for all large scale shows and can be seen in the spectaculars of Las Vegas and Macau and across the world.

More power does not mean less quality. D'Artagnan's integrated motorised dimmer shutter gives perfect dimming, while maintaining a constant colour temperature of 6000K. Retaining all the functions of the SX Series profile spots, D'Artagnan is also an amazing long-throw gobo projector particularly appreciated in the advertising sector.

- SX range features (see pages 18 & 19)
- Available with 3 variable zoom options: 10° - 25°, 16° - 38° and 29° - 50°
- Built-in DMX-control of motorised dimmer shutter and lamp ignition
- High colour temperature (6000K)
- Hot restrike
- Separate PSU
- Long distance gobo projection



**934SNX**  
16° - 38°



**933SNX**  
29° - 50°



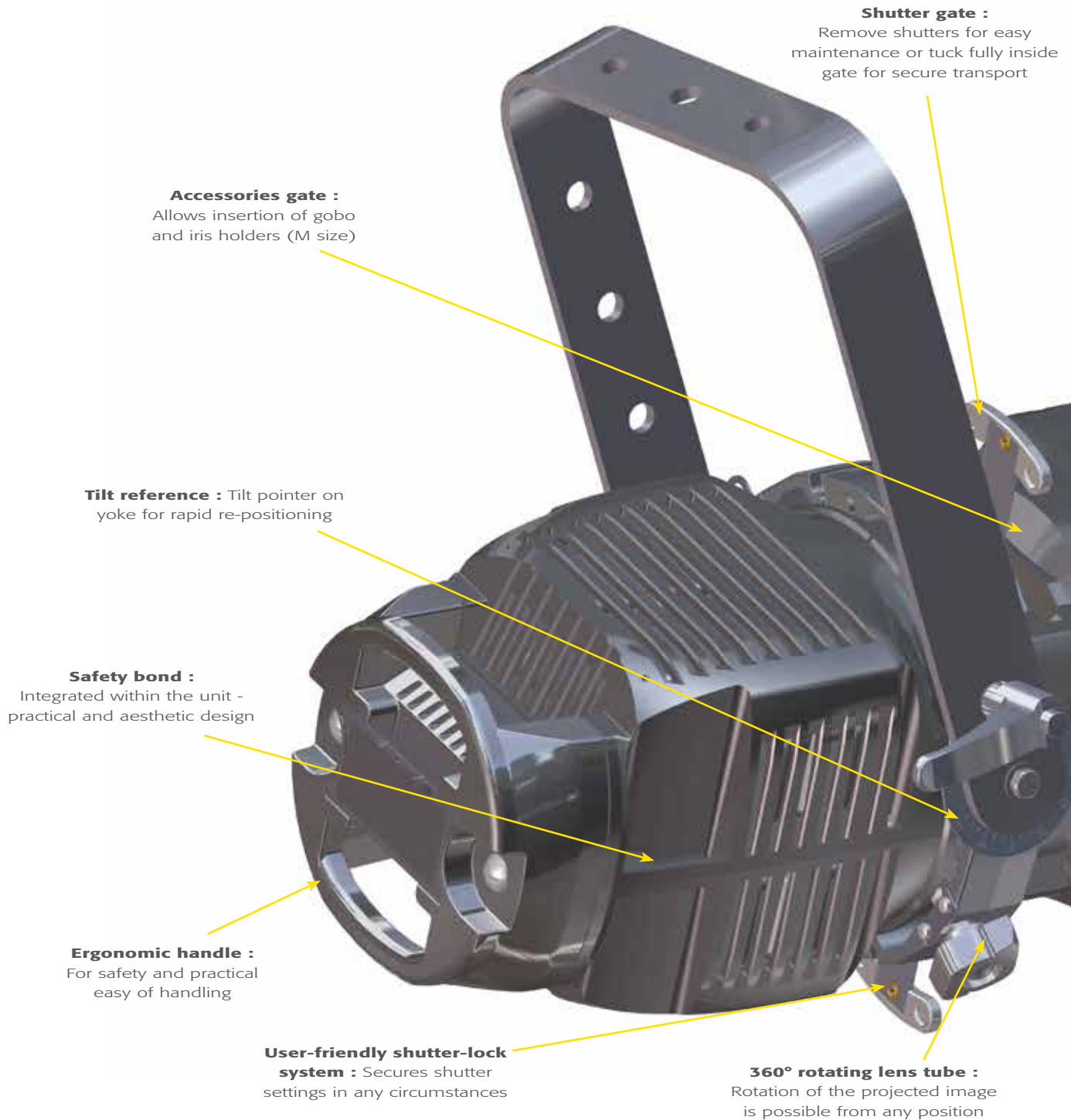
**930SNX**  
10° - 25°



### NEW DESIGN, NEW OPTICS

With its new optical system and its die-cast aluminium bodywork, the Tibo profile range introduces a brand new design backed by the same impeccable attention to ergonomic features present in every Robert Juliat fixture. Tibo is the most compact range of profiles.

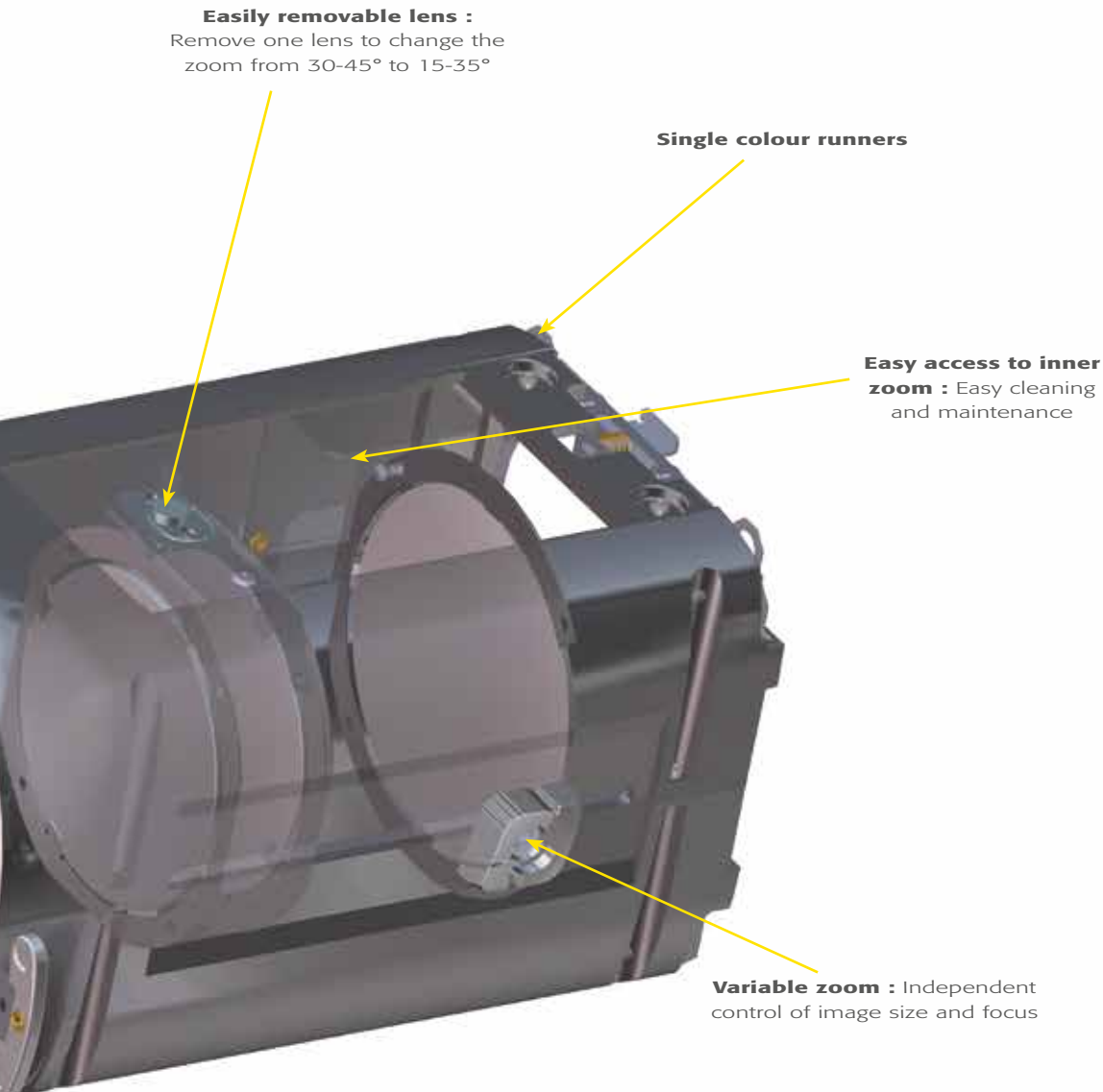
Tibo benefits from an outstanding unique design that allows two different zoom ranges in one single unit – from 15/35° to 30/45°. This extreme versatility means there is no need to purchase different fixtures, thereby saving money and storage space.



#### Additional features :

- **Bodywork: die-cast aluminium** (Easy access to all parts: easy cleaning, re-lamping and maintenance)
- **Captive knobs and handles:** additional security when working at height or in transit

# TIBO RANGE OVERVIEW



”  
On the advice of French lighting director, Frédéric Dorieux, Canal Plus Engineering project manager, Jean-Marc Delage, decided on Robert Juliat Tibo LED profiles because they could mix and match their 3-year old Tibo LED profiles with newly delivered ones, with no deviation in terms of colour rendering, which has led to significant money saving. In addition, the low energy consumption, the stability and reliability of Tibo profiles have been really instrumental.







## LED



**533**  
15/35° - 30/45°



**533**  
**White version**  
15/35° - 30/45°

## TIBO 533

75 W LED

Tibo presents a new look in LED profile design: its compact, aesthetic appearance is only one of its many qualities.

Tibo combines a powerful, high-quality light source with an extremely low energy consumption (up to 35 projectors can be run off a single domestic power outlet 230V 16A) that make it a cost-effective, 'green' alternative. Its very low heat and UV emissions make Tibo LED ideal for use in listed venues, exhibitions, museums or when lighting valuable or light-sensitive objects.

Tibo LED is equipped with a separate power supply to ensure very fine dimming from 0 to 100% and has the option of wireless DMX control. Available in three colour temperatures, plus variable white, Tibo LED is designed to suit any application.

- Tibo profile range features (see pages 26 & 27)
- 75W high intensity LED array (except for variable white, 36W)
- Double condenser optics
- Available in three colour temperatures : Warm White (3000K), Neutral White (4000K) and Cool White (6500K)
- Variable White model available ranging from 2700K to 5700K (30W only)
- Lumen maintenance of greater than 70% after 50.000 hours\*
- Separate flicker-free power supply with Neutrik® PowerCON TRUE1
- Local control, DMX and wireless DMX (as an option)

(\*) Manufacturer's data



# TUNGSTEN

## TIBO 503

300 & 500 W

Available with lamps ranging from 300 W to 500 W, the Tibo tungsten profile offers a performance unparalleled in such a compact unit. A new, exclusive ellipsoidal mirror designed by Robert Juliat's R&D department optimises the light output and ensures a high quality beam and precise gobo projection.

As with all Tibo profiles, Tibo tungsten has a 360° rotating body and a unique optical system which offers the choice of two zoom ranges (30°/45 and 15°/ 35°) within one single unit.

Double electrical protection (micro-switches) ensures safe use and maintenance which makes it ideal for use in school environments. Its compact size also makes it perfectly suited to museums, churches and all small venues.

Together these features make Tibo tungsten the ideal solution from a technical, aesthetic and economic point of view.

- Tibo profile range features (see pages 26 & 27)
- Ellipsoidal reflector
- GY9.5 socket for 300 & 500 W lamps
- Access to the lamp secured by two safety switches
- Convection cooling
- Peak and flat adjustment



### 503

300 & 500 W (GY9,5)  
15/35° - 30/45°



## DISCHARGE

### TIBO 523

250 W HID

Tibo HID is a completely new tool for lighting professionals. Its C-DMT 250 W discharge source is extremely powerful yet housed in a very compact body.

It presents a cost-effective lighting solution offering good value for money by virtue of its long lamp life and lower maintenance costs.

An 'easy-to-integrate' fixture, Tibo HID is ideal for the projection of static images, architectural applications and showcasing buildings.

For applications which require intense, non-dimmable light output, the 523 is the unbeatable, powerful solution.



**523**  
250 W (HID)

- Tibo profile range features (see pages 26 & 27)
- Ellipsoidal reflector
- Convection cooling
- 8.000 hr lamp life (CDM-T 250 W)
- Colour temperatures available in 3000K and 4200K
- Separate electronic ballast





## FOLLOWSPOTS

### INNOVATION WITH EXCELLENCE

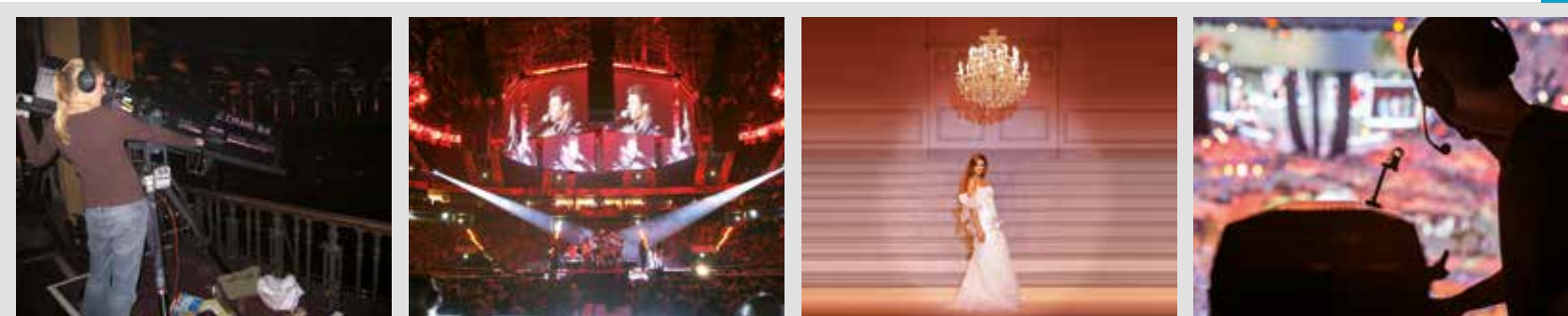
Since designing the first HMI followspot, Pixie, in 1975, Robert Juliat has become the preferred manufacturer for lighting designers and operators alike. To produce a powerful followspot is not a difficult task. To make a followspot with exceptional quality of beam, dimming ability, gobo projection, and an outstanding light output, all wrapped in an ergonomically pleasing package, is the real challenge and one in which only Robert Juliat has emerged as market leader.

Long considered the best followspots on the market, Robert Juliat followspots are used in every type of venues from the smallest cabaret to the largest stadium, for both touring and fixed shows throughout the world.

Opera houses love them for their superb dimming capabilities while rental houses benefit from a fast return on their investment. Equipment-sensitive studio environments appreciate the beam's flat-field with no hotspot.

Robert Juliat followspots are available in short or long throw versions and with different wattages and lamp types to suit every application. Condenser optics give a flat, even beam with optimum light output, and variable zoom optics maintain sharp focus at every beam angle.

Each Robert Juliat followspot comes with a full range of accessories and a wealth of ergonomic features for comfortable and efficient operation.





## ULTRA COMPACT RANGE

### ROXIE

300 W LED

A little LED wonder with the power punch, Roxie is Robert Juliat's first LED followspot. The compact 300W spot is all about efficiency. It fits in the smallest of spaces and is the ideal energy-efficient solution for all those venues where running costs need to be significantly reduced.

Roxie delivers an output comparable to most of the 575W discharge followspot available on the market. No heat, no lamp change, less maintenance.

Smooth electronic dimming is available as standard, either locally via the rotary dimmer knob or remotely via DMX.

- Variable zoom optics
- Fine balance
- Built-in electronic flicker-free power supply
- Silent-running cooling fans
- Very long-life LED source
- Easy access to components
- Removable fully closing iris
- A-size glass and metal gobo holder
- DMX: 8 or 16 bits dimming and strobe function
- 6-way push/pull colour changer system for simultaneous use of multiple filters



#### ROXIE (1166)

10.5° - 22.5°



## ULTRA COMPACT RANGE



**CRICKET (1116)**  
10.5° - 22.5°

### CRICKET

1000/1200 W TUNGSTEN

The smallest of the Robert Juliat followspot range, Cricket is a 1000/1200 W tungsten unit with the optical excellence of its larger counterparts. With its ultra compact dimensions and low power consumption, Cricket followspot is easy to use and can fit into the smallest of spaces. A 'push/pull' colour changer, 100% fully closing iris and an A-size gobo holder are provided as standard, forming a perfect introduction to Robert Juliat for discerning schools, amateur dramatics and smaller venues.

- Variable zoom optics
- Factory pre-set optical train requiring no adjustment of the lamp
- Fine balance
- Easy access to components
- Removable fully closing iris
- A-size glass and metal gobo holder
- 6-way push/pull colour changer system for simultaneous use of multiple filters





## ULTRA COMPACT RANGE

### BUXIE

575 W MSD

Buxie is the little spot with the powerful punch. The electronic PSU is quiet under performance conditions and is fixed to the yoke for space saving. The 2,000-hour, 575W MSD HR lamp, lends the user the confidence of hot re-strike for rapid action following any unexpected power failure. Its compact dimensions are matched by its compact price, making it perfect in places where space is at a premium or as a truss spot.

- Variable zoom optics
- Factory pre-set optical train requiring no adjustment of the lamp
- Electronic PSU
- Hot restrike lamp
- Long lamp life (2000h)
- Smooth dimmer shutter
- Fine balance
- Easy access to components
- Removable fully closing iris
- A-size glass and metal gobo holder
- 6-way push/pull colour changer system for simultaneous use of multiple filters



**BUXIE (1124)**  
10.5° - 22.5°



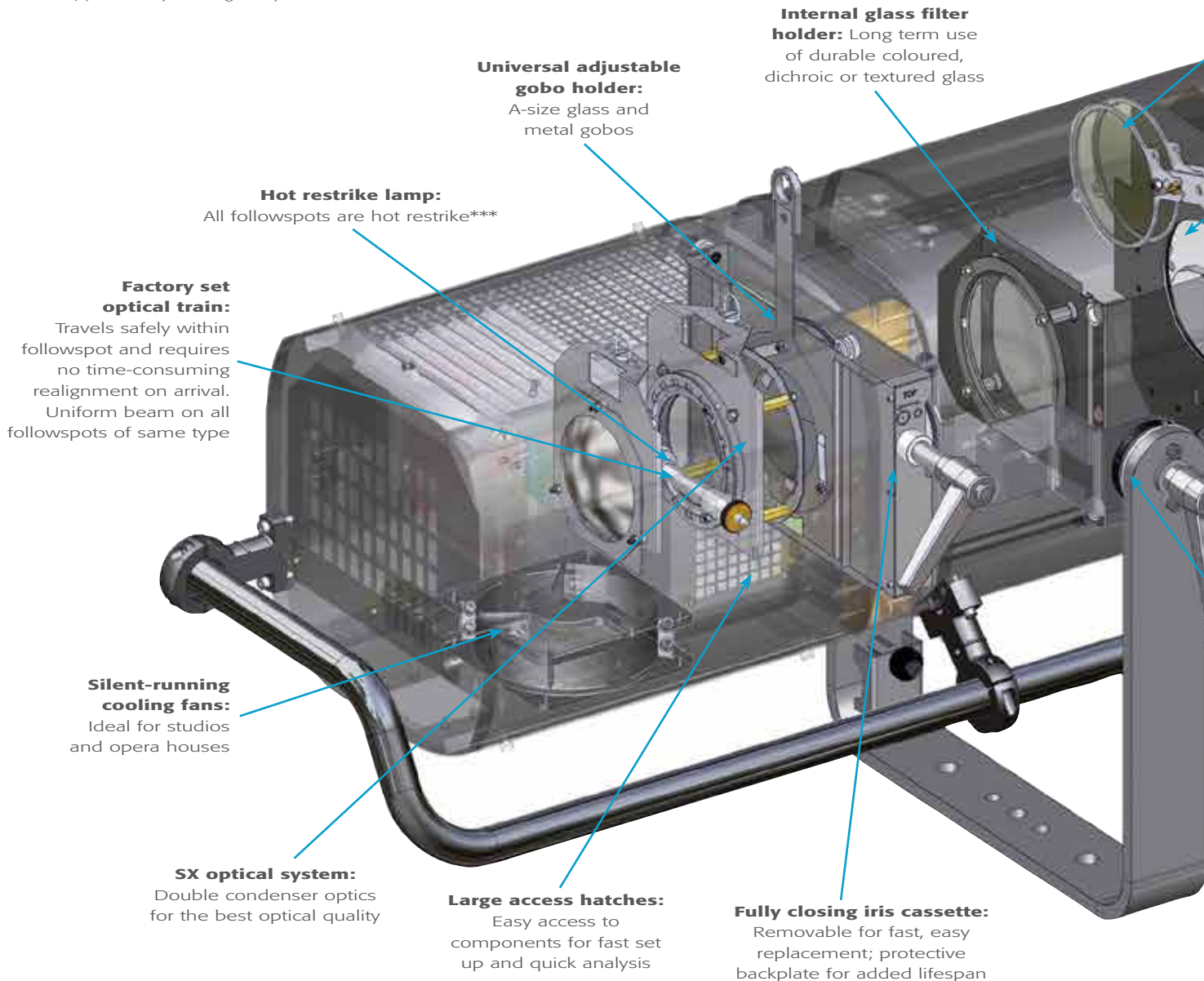
## COMPACT RANGE

### TRUSS SPOTS

The complete Ultra Compact range and all short-throw versions of the Compact range are easily adapted for use as truss spots. When mounted on the dedicated truss mount stand (JPP) with an adjustable yoke\*, each spot presents the perfect balance and projection angle for this application. The separate PSU can be mounted remotely from the followspot and, without the excess weight of a built-in PSU, the balance in truss position remains unaffected. Colour changers are available in a choice

of two kinds to suit available space. The 'push/pull' colour changer unit is positioned horizontally and allows the simultaneous use of multiple filters and is useful for overhead use. The 'boomerang' version automatically self-cancels each filter for speed of use and sits vertically beneath the followspot. Compact, RJ truss spots are ideal for use in TV and film studios, theatres, at concerts and live events or anywhere you need a high quality, overhead solution.

(\*) On compact range only



**Hot restrike lamp:**  
All followspots are hot restrike\*\*\*

**Factory set optical train:**  
Travels safely within followspot and requires no time-consuming realignment on arrival. Uniform beam on all followspots of same type

**Silent-running cooling fans:**  
Ideal for studios and opera houses

**SX optical system:**  
Double condenser optics for the best optical quality

**Universal adjustable gobo holder:**  
A-size glass and metal gobos

**Large access hatches:**  
Easy access to components for fast set up and quick analysis

**Internal glass filter holder:** Long term use of durable coloured, dichroic or textured glass

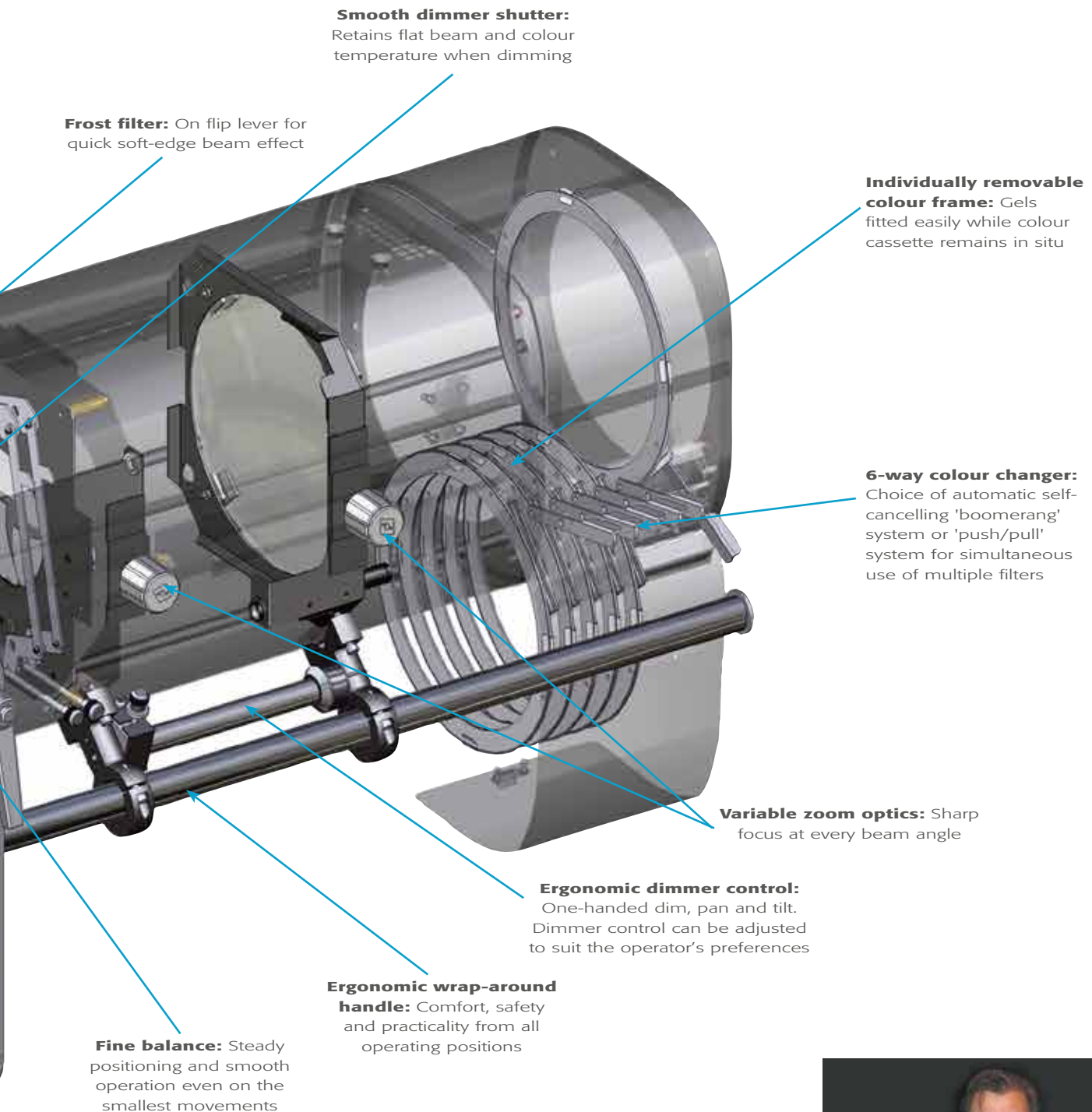
**Fully closing iris cassette:**  
Removable for fast, easy replacement; protective backplate for added lifespan

### And also:

- **Remote DMX-control\*\*:** lamp ignition (for Flo and Victor only) and dimming control synchronised remotely with pinpoint accuracy (Lucy, Super Korrigan, Flo, Victor). Master Control (see page 46)
- **Horizontal chopper\*\*:** for masking control in TV studios and on wide stages
- **Adjustable yoke\*\*:** for optimum overhead positioning
- **Stand:** Perfectly weighted for maximum stability with smooth rotation for optimum performance. Easy set up; triple safety system for extra security
- **Easy servicing:** Easily removable condenser lenses and reflector holders
- **Separate PSU:** compact for easy handling and rapid maintenance

(\*\*) Optional (\*\*\*) Except Manon & Topaze

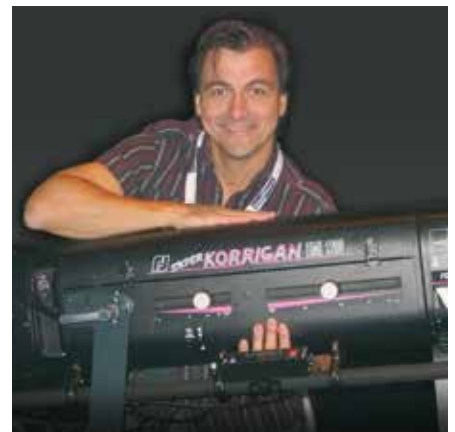
## OVERVIEW



”

*For me, the best followspots are Robert Juliats. Reliable and powerful, they are a guarantee for success. The 8 RJ spots I used on my latest tour were the final touch to my design.*

**Yves AUCOIN** (Canada),  
Lighting Designer, Winner of the  
Best Lighting Designer Award - LDI 2006



## COMPACT RANGE



**GINGER (1417)\***  
13° - 24°



**ALEX (1117)**  
7° - 14.5°

## GINGER AND ALEX

2000/2500 W TUNGSTEN

Ginger and Alex tungsten followspots are ideal for television studios, opera houses and ballets.

The mechanical dimmer shutter ensures a constant colour temperature is maintained during dimming while retaining the flat beam which is so important when using sensitive camera equipment. The tungsten lamp also ensures these spots blend well with conventional theatre lighting.

- Compact range features (see pages 38 & 39)
- G22 socket locking system exclusive to Robert Juliat
- Local ON/OFF switch
- Dimmer shutter for constant colour temperature when dimming

(\* ) shown with optional adjustable yoke



## COMPACT RANGE

### MANON AND TOPAZE

1200 W MSD

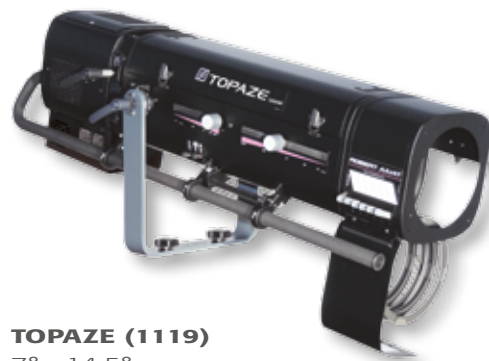
Manon and Topaze 1200 MSD followspots combine a powerful output within an economical package, both in initial expenditure and running costs.

Manon and Topaze use a long lamp life and provide a cost-effective solution for mid-size theatres, shows and rental companies alike. The full range of features on these units brings Robert Juliat quality within reach of all budgets.

- Compact range features (see pages 38 & 39)
- Cold strike lamp
- Long lamp life (3000h)
- G22 socket locking system exclusive to Robert Juliat
- Separate magnetic PSU



**MANON (1419)**  
13° - 24°



**TOPAZE (1119)**  
7° - 14.5°



## COMPACT RANGE



**LUCY (1449)\***  
13° - 24°



**SUPER KORRIGAN (1149)**  
7° - 14.5°

## LUCY AND SUPER KORRIGAN

1200 W HMI

The award-winning Super Korrigan and Lucy offer a light output which out-performs Xenon followspots of higher wattage, along with the ergonomic features which make Robert Juliat the followspots of choice. Used widely in theatre environments where the combination of a high output, instantaneous re-ignition and compact dimensions is a real advantage, these units also benefit from silent magnetic PSU. These models offer the option of DMX dimming control for perfect synchronisation of fades and blackouts.

- Compact range features (see pages 38 & 39)
- Hot restrike lamp
- Separate magnetic PSU
- Silent running cooling fan
- Safety switch for secure access to the lamp
- Optional DMX-control of motorised dimmer shutter with 24V and DMX output connection for front colour changer

(\*) shown with optional adjustable yoke



## COMPACT RANGE

### FLO AND VICTOR

1800 W MSR

With a lamp specially designed for Robert Juliat, Flo and Victor are the first 1800 W followspots on the market. Each gives a light output to rival mid-throw 2500 W followspots with similar beam angles, but in a unit as compact as a 1200 W.

With a combination of compact dimensions, high output, hot restrike lamp and DMX-control in one product, they are perfect for rental companies. It has also made them the new benchmark followspot for large theatres, TV studios, fashion shows, concerts and touring.

Both versions can be used in front-of-house, truss and backlight positions.

- Compact range features (see pages 38 & 39)
- Hot restrike lamp
- Separate flicker-free electronic PSU
- Silent running cooling fan
- Safety switch for secure access to the lamp
- Optional DMX-control of motorised dimmer shutter and lamp ignition, with 24V and DMX output connection for front colour changer

(\*) shown with optional adjustable yoke



**FLO (1459)\***  
13° - 24°



**VICTOR (1159)**  
7° - 14.5°

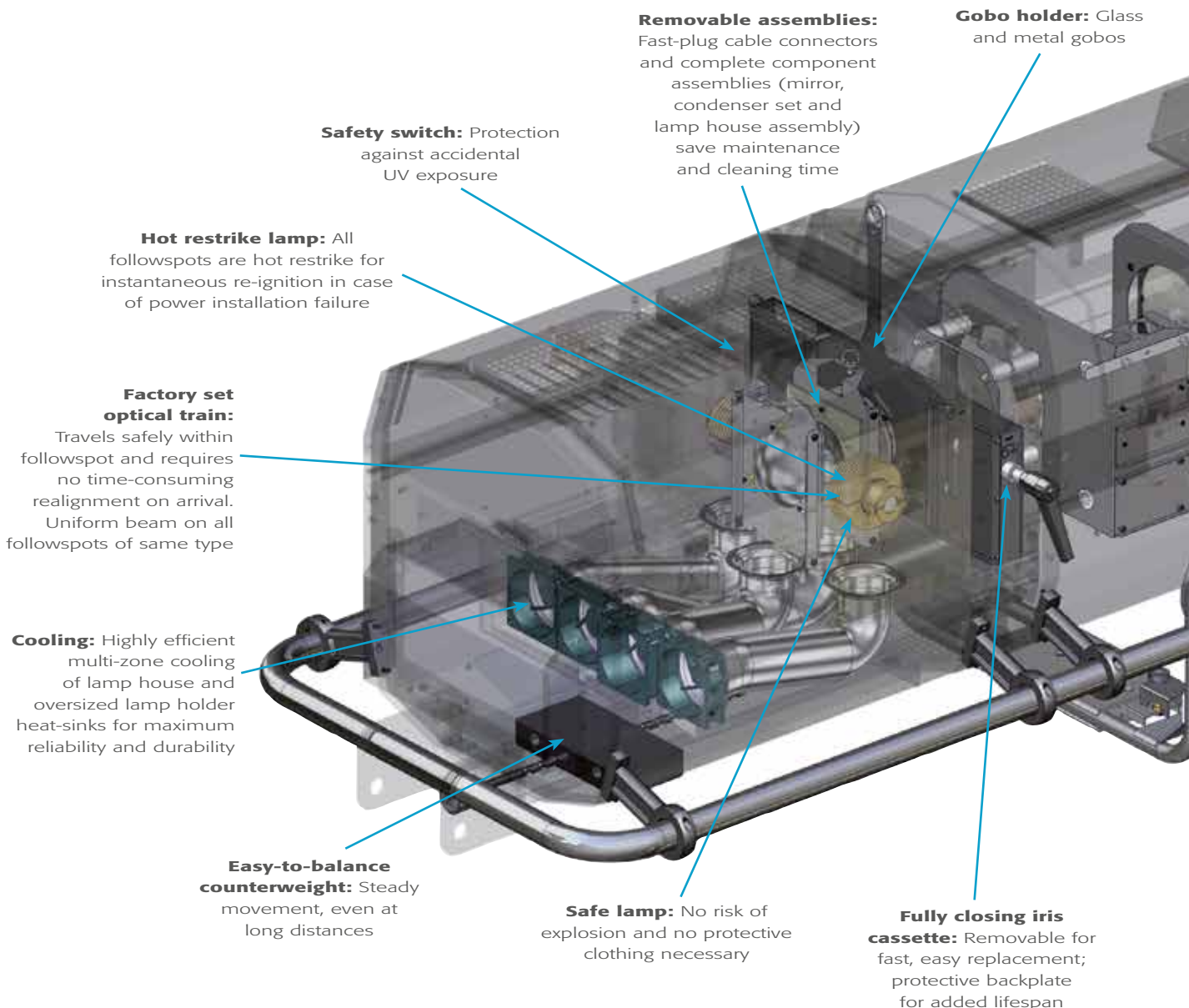


## GRAND RANGE

### MASTER CONTROL

To aid lighting designers in co-ordinating the appearance of each followspot at all times, Robert Juliat have introduced a two-channel Master Control on its motorised dimmer shutter. This enables the designer to achieve complete synchronisation of fades on each followspot directly from the console. The Master Control also helps the designer to set limits on beam intensity, allowing the followspot operator individual control over

intensity, but within the upper and lower parameters set by the lighting desk. For instance, if channel 1 is at 20%, and channel 2 at 80%, the operator will be able to action the dimmer shutter only between 20% and 80%. This function is indispensable to synchronise both timing and intensity on big events and TV shows and is unique to Robert Juliat motorised followspots.



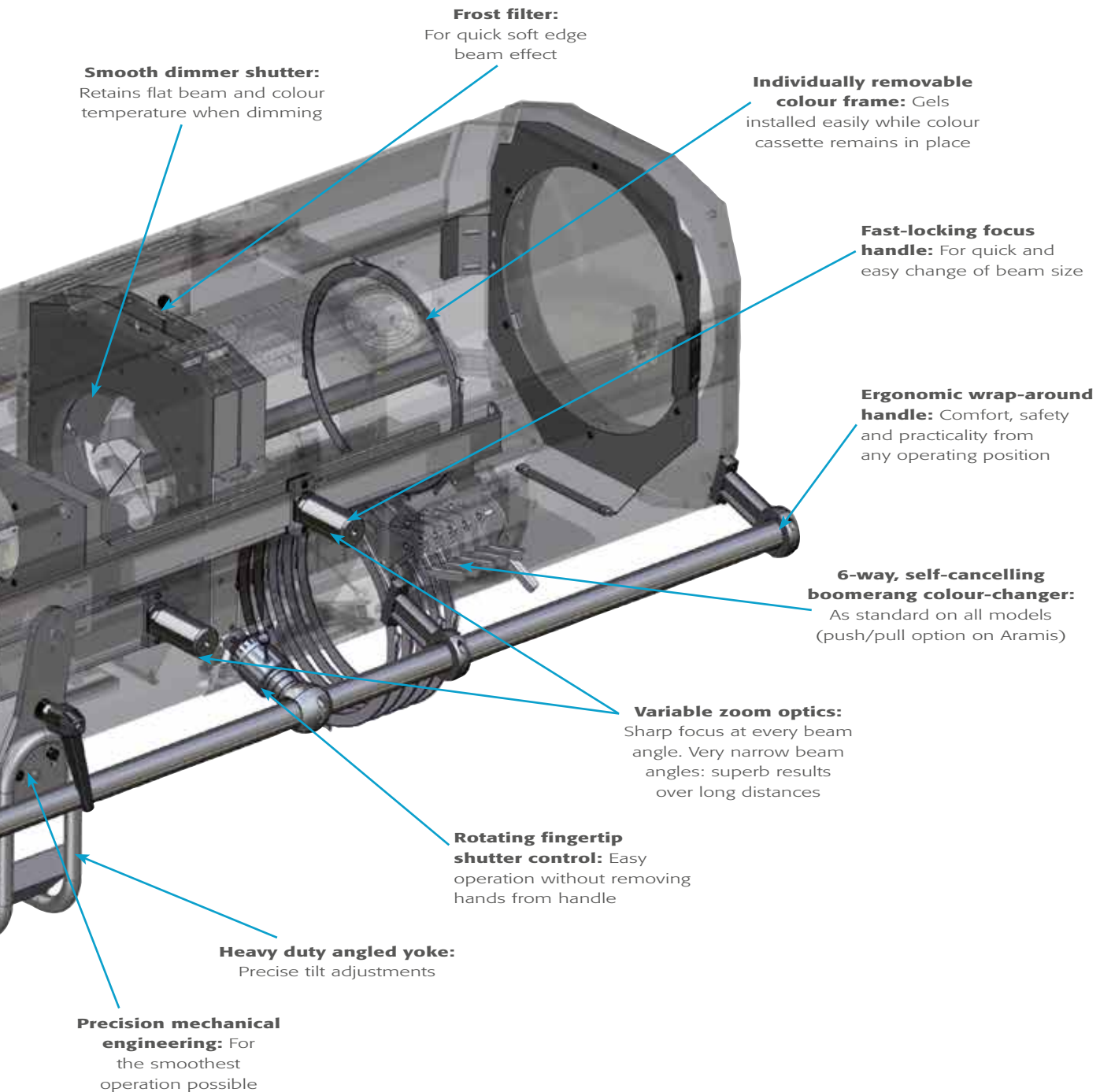
### And also:

- **Separate PSU:** balance remains unaffected, easy maintenance and quick replacement. Choice of magnetic or flicker-free electronic PSU
- **Remote DMX-control\*:** effects synchronising remotely with pinpoint accuracy
- **Horizontal chopper\*:** masking control in TV studios and on wide stages\*\*
- **Large access hatches:** easy access to components for fast set up, quick analysis and easy maintenance
- **Stand:** Perfectly weighted for maximum stability with smooth rotation for optimum performance. Easy set up; triple safety system for extra security

(\*) Optional (\*\*) Except Lancelot



## OVERVIEW



”

*I am a big RJ fan. I love the RJ followspots. Going into a large venue means you need a followspot that can cut, but with the finesse and beauty of a smaller fixture. The RJ Lancelot and Cyrano do just that and are easy for the operator too. For me, this means the final product is the best it can be!*

**Paul COLLISON** (Australia),  
TV Lighting Designer



## GRAND RANGE



**ARAMIS (1013+)**  
4.5° - 8°

### ARAMIS

2500 W HMI

Aramis has long been the favoured followspot for opera houses and big musicals. Used also in concerts and on tour, Aramis is constructed to withstand the rigours of touring and is well suited to the long throws of large venues, in- and outdoors. The option of a 'push/pull' or 'boomerang' colour changer means it can be tailored to suit the available space in each venue, while its frost filter on flip lever allows fast, simple 'focus' changes.

- Grand range features (see pages 44 & 45)
- Quartz condenser lens for dazzling light output and perfectly even beam
- Choice of magnetic or flicker-free electronic PSU
- Silent cooling fan
- Choice of 6-way 'boomerang' or 'push/pull' colour changer
- Frost filter and colour correction filter (CTO) on flip levers
- Optional DMX-control of motorised dimmer shutter and lamp ignition



## GRAND RANGE

### CYRANO

2500 W HMI

Cyrano does all the things Aramis can do – and a little bit more!

The narrower beam angle makes it perfect for the really long throw distances found in the largest theatres and stadia while its glass progressive frost filter and dark blue dichroic filter give even more subtle design possibilities. The progressive frost filter, like the motorised dimmer shutter and the lamp on/off function, can be DMX-controlled for perfect synchronisation.

Its unique dimmer shutter gives Cyrano a superb dimming ability – surpassing even that of Aramis – making it indispensable for opera houses and large TV shows.

- Grand range features (see pages 44 & 45)
- Quartz condenser lens for dazzling light output and perfectly even beam
- Choice of magnetic or flicker-free electronic PSU
- Silent cooling fan
- Fan-cooled, 6-way, self-cancelling 'boomerang' colour-changer
- Progressive frost filter
- Colour correction (CTO), dark blue dichroic and spare filter frame on flip levers
- Optional DMX-control of motorised dimmer shutter, progressive frost and lamp ignition



**CYRANO (1015)**  
3° - 8°





Queen's Diamond Jubilee concert, UK, Durham Marengi lighting conception © Jennie Marengi

## GRAND RANGE

### LANCELOT

4000 W HTI

Designed to the same high standards as the rest of Robert Juliat's followspot family, the Lancelot's innovative optical train improves on the power and very long throw capabilities of its smaller counterparts.

Lancelot is now the benchmark fixture for big events and concerts where its innovative technology, outstanding light output and extremely flat beam set new standards for both followspots and automated lighting products.

Indeed, Lancelot is not just another very long-throw followspot. An unequalled range of modular accessories, manual or motorised, can be added to make it the most powerful long-throw effects projector ever built (Chromix 4-blade gel cassettes and dimmer shutter for smooth fades).

- Grand range features (see pages 44 & 45)
- Very narrow variable zoom 2° - 5°
- High performance 6-lens optical train reduces the size of the unit and enhances definition
- Double quartz condenser system for dazzling light output and perfectly even beam
- Flicker-free electronic PSU
- Fan-cooled, 6-way, self-cancelling 'boomerang' colour-changer
- Chromix 4-blade gel cassettes
- Dimmer shutter for smooth fades



**LANCELOT (1021)**

2° - 5°





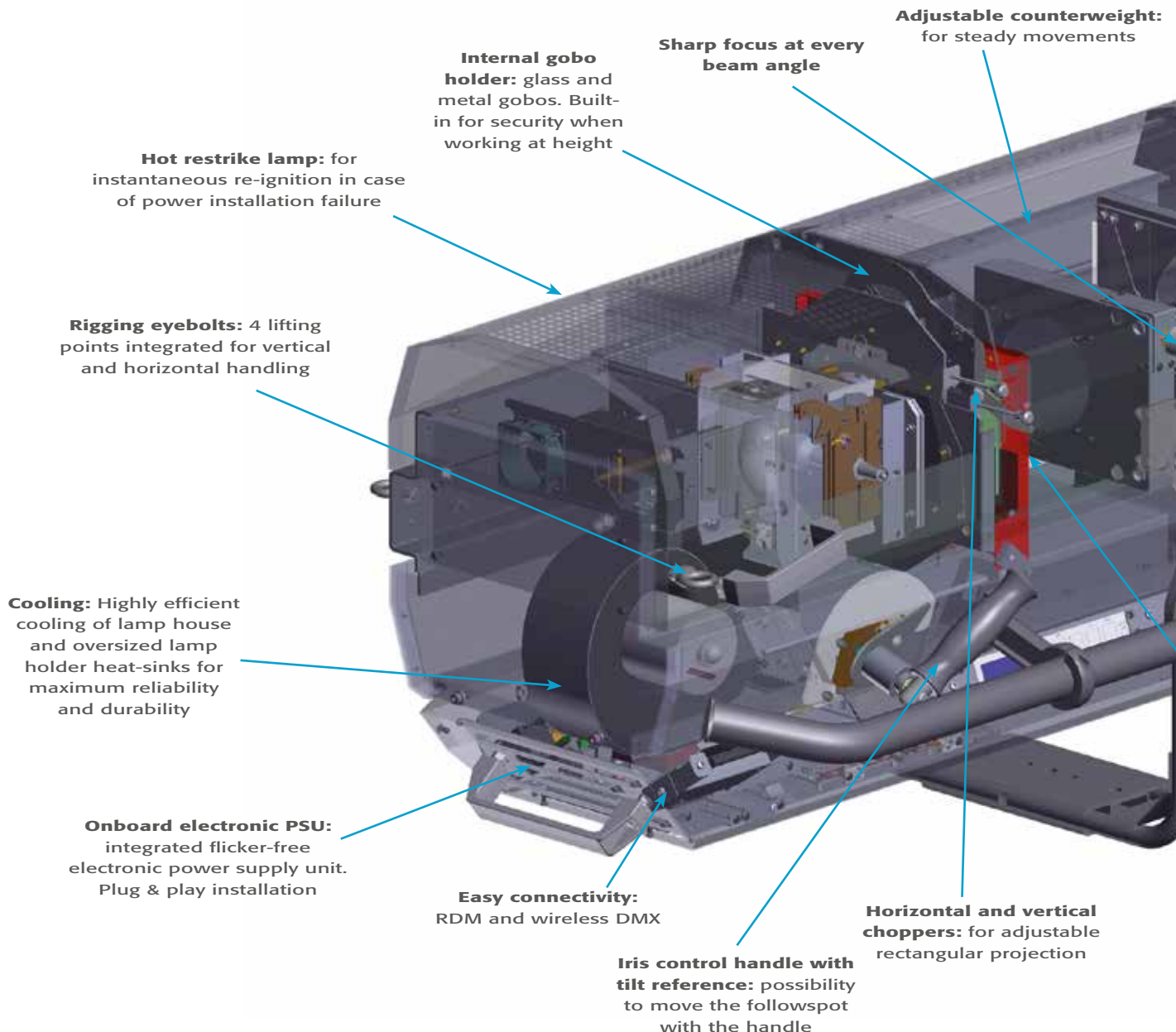


## TOURING RANGE

### The touring machine for rental houses

Merlin is the culmination of an ambitious project to produce a powerful, rugged followspot for the touring market. Designed to complement Robert Juliat's Grand, Compact and Ultra-Compact ranges, Merlin is the result of in-depth consultation with rental companies, lighting designers and professional followspot operators. With an output that belies its 2500W HMI lamp and a massive 3°-12° beam range, Merlin covers

both long and medium throw ranges in one unit. Merlin delivers a performance that outshines the ever-increasing power of LED lighting and videowall backlighting, while newly designed bodywork ensures Merlin is easy to transport, install and maintain, tough enough for the road and supremely tourable.

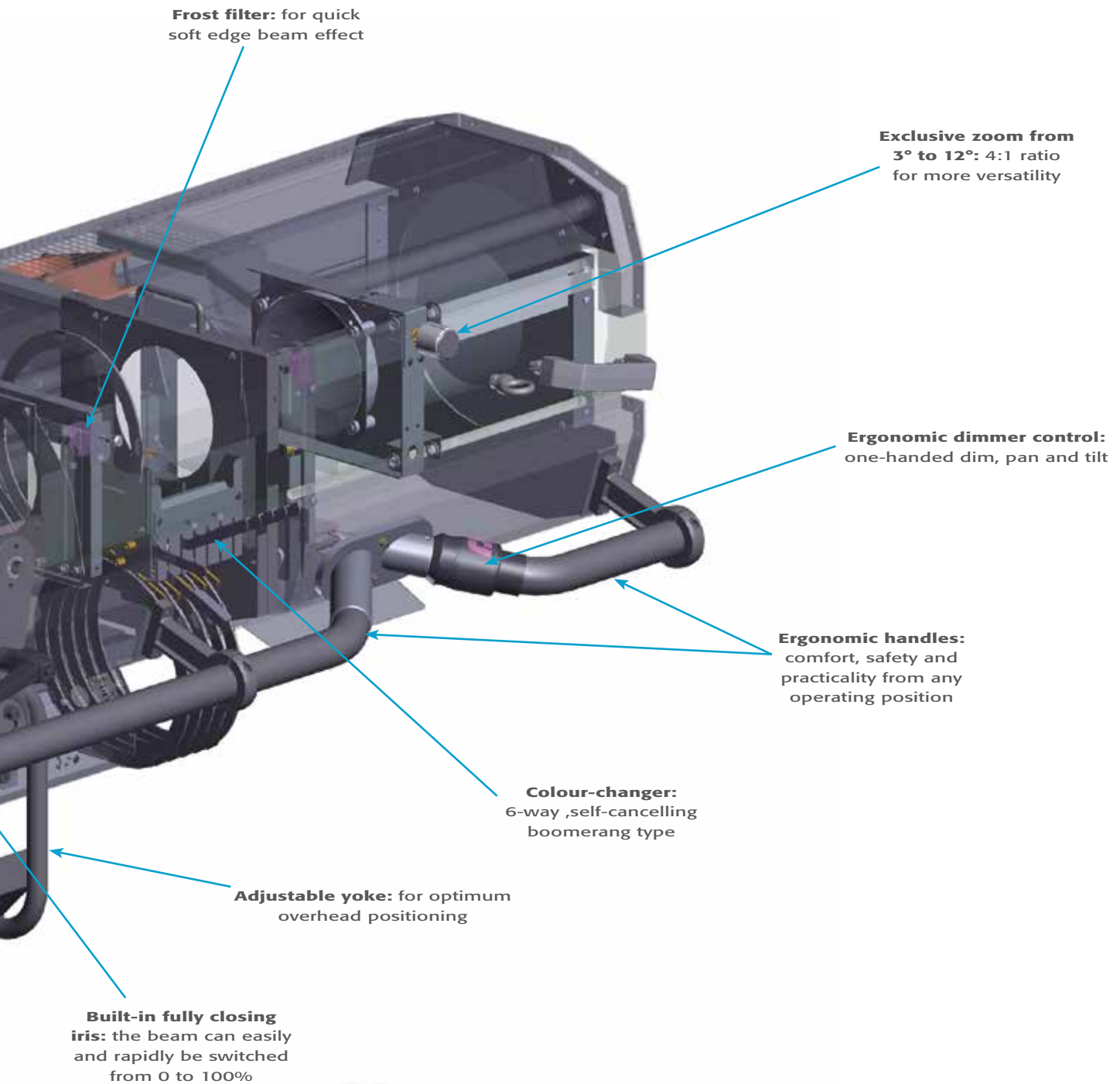


### And also:

- **Bodywork:** Strong sheet metal construction for durability
- **RJ Eco Mode:** reduction of power consumption when the followspot is in a stand-by mode
- **Fade to Black DMX:** optional DMX dimmer module accessory for optimum control direct from the console
- **RJ Diagnostic System:** for optimum operation capacities, providing feedback information locally and remotely
- **Lamp switch off:** 3 minutes automatic cooling down process when switching off the lamp for fast and easy packing



## OVERVIEW



”

*We decided on Merlin because of its excellent new technology: the newly developed integrated PSU with the 2500W HMI arc lamp provide great brightness; the zoom range from 3° to 12° allows an extremely wide spectrum from 30m to 100m; and, finally, the low consumption of electricity with the 16A connector is really good and convenient. There is nothing similar on the market.*

**Peter LEMMENMEIER** (Switzerland),  
Stagelight's Managing Director





Royal Edinburgh Military Tattoo in Wellington, New Zealand. Photo: Blair McLaren

## TOURING RANGE

### MERLIN

2500 W HMI

Mixing a stainless steel housing with strong aluminium framework, Merlin has been created to reflect the specific requirements of those working in the touring, live music and large event market – indoors and out. Ranging from 3° to 12°, Merlin is a versatile throw followspot offering the widest choice of ranges in one single unit.

All the handling is amazingly good and easy: the levers for adjusting the beam size, the dimmer and even the different colour filters are within arm's reach. The rapid cooling is another advantage when the followspot needs to be boxed right after the show.

The power supply unit is integrated, the case is practically built and, if you want, you can even charge your smartphone from Merlin!

- 2500W HMI lamp with a 3000W effect
- 16A power connection
- Variable zoom optics
- Fine balance
- Built-in electronic flicker-free power supply
- Silent-running cooling fans
- Easy access to components
- Removable fully closing iris
- A-size glass and metal gobo holder
- RDM and optional wireless DMX
- Fade to Black motorised dimming module - can be used as an accessory



**MERLIN (1515)**  
3° - 12°





## AMBIANCE LIGHTING SPECIALIST PRODUCTS TO CREATE MOODS AND ATMOSPHERES

At the request of end users, Robert Juliat has transformed a series of simple products into a bespoke range of lighting tools by adding that special Robert Juliat touch. Since the beginning, Robert Juliat's special fixtures have increased in popularity and been adopted into its standard range of products.

Thanks to the Digitour Fluo dimmer pack and its electronic ballast, the dimming quality of Solo and Quadri dimmable fluorescents is so fine that there are no real alternatives for the opera and studio markets.

A redesigned Horus cyclorama fixture has returned to the catalogue at the express demand of our customers who loved its performance. Now exhibiting a wealth of exciting updated features, Horus is the perfect complement to the Robert Juliat range of luminaires.

The new Dalis Cyclorama batten is a dazzling new addition to Robert Juliat's LED portfolio. This silent, fanless 300W LED wall wash luminaire combines unique optics with 8 coloured LED emitters to create a huge variety of pastel and saturated colours, and deliver superbly smooth coverage across any surface.

Earning a PLASA Award for Innovation in 2015, Dalis is also available as an LED Footlight, the long and short throw capabilities of which make it perfect for opera houses, television studios, shop window and exhibitions where its clean lines will add a touch of class to any display. An LED Washlight version with the same control, colour-mixing capabilities and silent operation completes the Dalis range.

Robert Juliat has always been atuned to its customers' needs and continues to develop products which serve both the individual and the broader market.



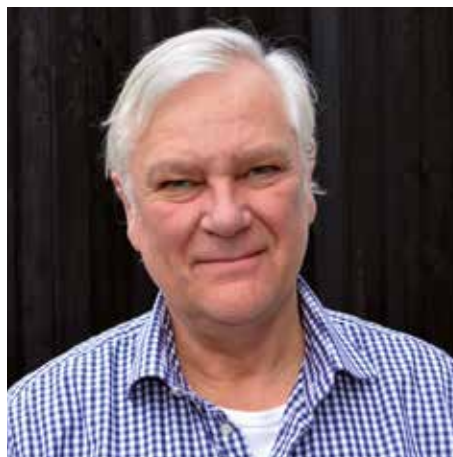


”

*We were looking for a solution to light parts of a new set design. The Dalis 860 came just at the right time. The request was, illuminate complex prop elements homogeneous and shadow-free. Conventional - with paint at the ceiling and neutral light, we would not get the result. We have chosen the Dalis 860, although it was not designed for this purpose. It was an experiment. The painting with real color would have been very costly. We decided to paint with light. We have the Dalis 'abused' in a sense. It was for us like the brush for a painter. And this experiment succeeded with excellence. All colors that were specified by the design, we were able to offer and for the future we are now prepared for each design change.*

**Birger Bustorff**

Lighting Designer,  
SWR TV Studios, Germany



”

*As a lighting designer who works a lot in dance and ballet it is always reassuring to see RJ equipment on the inventory. I know then, that my washes will be even and perfect because optically the RJ equipment is top class and each unit focuses in the same reliable way.*

*The fixtures provide a great light output and quality which reproduce the gel colours as you are expecting, every time.*

*Additionally I am especially excited about the new Dalis product for expanding our colour possibilities for cyc washes in ballet and dance. They have an extremely smooth and bright light output and the colour possibilities offer great vibrancy and subtlety all in the one unit.*

**Lucy Carter**

Lighting Designer, Winner of the Knight of Illumination  
Awards in 2008 & 2015, London, UK





*Sandaime Richard by Hideki Noda  
Director ONG Keng Sen, Set design  
KATO Chika, Lighting Scott ZIELINSKI,  
Costume YANAIHARA Mitsushi,  
Video TAKAHASHI Keisuke, Music YAMANAKA Toru,  
Co-producers Tokyo Metropolitan Theatre /  
Singapore International Festival of Arts,  
Photographer Jun Ishikawa*



## CYCLIGHT



DALIS 860

*DALIS 860*

300 W LED

Spice up your light with the new asymmetrical 300W LED cyclight from Robert Juliat!

Designed to deliver powerful, smooth coverage and a huge variety of pastel and saturated colours, Dalis incorporates eight coloured LED emitters (red, green, blue, royal blue, amber, cyan, warm white 2200K and cool white 6500K). The choice of these six colours in association with the two whites gives access to an extremely wide colour gamut. In addition, the white emitters facilitate colour desaturation, resulting in an impressive range of pastel tones. Additionally, four groups of LED emitters can also be controlled independently by 16 bit on each color in the batten, thus providing a subtle and clever mix of colours with smooth transitions and fades.

Equipped with an advanced fanless cooling system, Dalis offers silent operation which is perfect for sound sensitive applications like opera houses and studios, and all theatrical, TV and entertainment applications.

- 300W LED
- Extruded aluminium housing
- 48 micro optical asymmetric reflectors
- One or four groups control mode
- Fanless system
- 8 or 16 bit control of each colour
- Flicker-free
- Power and data daisy chain
- Horizontal or vertical mounting
- Compatible with DMX / RDM / Art-Net / sACN
- System setup locally and remotely by RDM or TCP/IP - integrated display
- Adjustable feet to aid floor focusing
- Flexible QuickRig mounting system

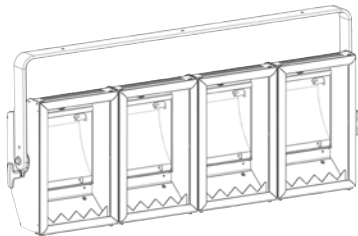
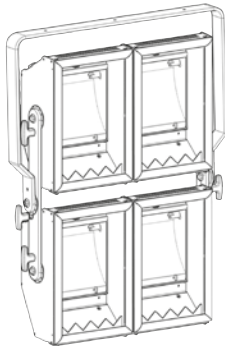


## CYCLIGHT

**HORUS**

625/1000/1250 W  
CYCLIGHT

Its light distribution and beam angle have contributed to its success. In addition, Horus is characterised by an ingenious gel holder system that enables rapid colour changing, without disturbing the fixture's settings and, as an advantage over similar products, it has been specially designed to perform without light spill. The unique RJ handle provides optimum grip during focusing and is designed for easy access to the power cable connector. Cable changing can be done in seconds.



- 625W/1000W/1250W tungsten lamp options
- Multiple unit configurations: use as ground row or in hanging position (1x4 in-line or 2x2 square)
- Standard hanging bracket or optional mini-bracket
- Rapid gel changing
- 2 safety switches for secure access to the lamp
- Unique handle design for fast cable changing
- Optional individual barn door (horizontal or vertical)



# CYCLIGHT

## SOLO AND QUADRI

### DIMMABLE FLUORESCENT LIGHTS

Robert Juliat's Solo and Quadri dimmable fluorescents offer a unique system of smooth dimming from 0% to 100%. Enhanced by the outstanding 7,500-step smoothing function of the Digitour fluo dimmer pack, there is no flicker or unsightly cut out, even at low levels. This makes them popular in the demanding environments of opera house and studio. They are equally at home as auditorium and foyer lighting.

Robert Juliat fluolights provide the answer, in both subtle and dramatic form, to cyclorama lighting, concealed scenery lighting and proscenium highlights, in addition to the traditional use as specials and practicals.

- Fluorescent dimming from 0% to 100%
- High quality electronic ballast (T8)
- 2 configurations: one channel, single colour (Solo) or 4-channel colour-mixing (Quadri)
- Outstanding results in conjunction with Digitour Fluo dimmer pack
- Easy daisy chain connection system
- Dedicated hanging and coupling accessories available



**SOLO**



**QUADRI**



## FOOTLIGHT

### DALIS 862

150 W LED

Dalis 862 is all about innovation when it comes to front-edge stage lighting.

Offering a true tunable white from 2200K to 6500K, Dalis 862 Footlight incorporates 48 patented asymmetric reflectors arranged in a double row. Each row can be controlled independently to give a footlight with both long or short throw capabilities for the creation of upstage or downstage lighting.

The Footlight batten is black and inconspicuous from the audience viewpoint to ensure it does not impinge on the stage layout in any way. All controls and connections are located under the unit to maintain clean sight lines.

Each Dalis unit also integrates four small, discreet red and blue 'mark' LEDs, each of which are independently controlled.

They can be used as position markers or cue lights for the performers on stage, and also as safety indicators to mark the edge of the stage.



**DALIS 862**

Fundamental qualities for a footlight are the ability to carefully manage upstage and downstage lighting and to produce an excellent quality of white light. Dalis 862 is unique in meeting all of these requirements in a stylish, low-profile unit that is equally at home in entertainment, exhibition and retail environments.

- 150W LED
- Extruded aluminium housing
- Two rows of 24 micro optical asymmetric reflectors (downstage and upstage lighting)
- One or four groups control mode
- Fanless system
- Flicker-free
- Power and data daisy chain
- Compatible with DMX / RDM / Art-Net / sACN
- System setup locally and remotely by RDM or TCP/IP - integrated display
- Adjustable feet to aid floor focusing
- 4 red and blue coloured position lights



## WASHLIGHT

### DALIS 861

150 W LED

Sharing the same qualities of control, colour mixing, coverage and silent operation as Dalis Cyclight, Dalis 861 is the perfect wash complement to the Dalis range.

Its rectangular format integrates 24 asymmetrical micro-reflectors arranged in four rows.

Dalis incorporates eight coloured LED emitters (red, green, blue, royal blue, amber, cyan, warm white 2200K and cool white 6500K). The choice of these six colours in association with the two whites gives access to an extremely wide colour gamut.

It is the ideal solution for side lighting, offering a very wide opening and a perfect even coverage.

Equipped with an advanced fanless cooling system, Dalis offers silent operation which is perfect for sound sensitive applications like opera houses and all theatrical applications.



**DALIS 861**

- 150W LED
- Extruded aluminium housing
- 24 micro optical asymmetric reflectors
- 8 or 16 bit control of each colour
- Fanless system
- Flicker-free
- Power and data daisy chain
- Compatible with DMX / RDM / Art-Net / sACN
- System setup locally and remotely by RDM or TCP/IP – integrated display
- Flexible QuickRig mounting system





## DIMMERS

### QUALITY BORN OF SIMPLICITY; REPUTATION FROM RELIABILITY

For venues which want dimming that can be relied upon, with 'no frills' technology, Robert Juliat dimmers are the answer. By design, all components – thyristors, SCRs, cooling system, chokes – are oversized and of the highest quality. This guarantees all channels can run at full power at all times, yet still remain well within capacity, so ensuring complete reliability under show conditions.

The Robert Juliat proprietary software is common to all products making them fully compatible with each other, be it Tivoli or Digitour.

Dimmer types can be mixed within a single venue, yet still benefit from the same factory-set curves and high-resolution, 7,500-step smoothing feature in each model. All models exhibit the same characteristics so technicians do not have to learn different operating modes for each.



## TIVOLI

### COMPACT WALL-MOUNTED CABINETS

This compact wall-mounted cabinet is available in different configurations and options. Easy access terminals save both time and money when cabling.

All channels can be used at full power simultaneously, with cooling controlled by variable speed fans for silent operation.

An automatic smoothing function is incorporated into Tivoli software which dramatically improves performance by increasing the digital control resolution from 256 steps to 7,500 steps through interpolation.

Ideal for small to mid size venues, museums and shopping malls.

- 12x25A, 12x16A+6x25A and 24x16A configurations available
- Connections on internal breakers or through front panel sockets
- DMX 512, 0/+10V, Sub-D25 external connectors and local control
- 150 internal cues & 250 cross fades remote controlled for architectural applications
- LCD display for parameters settings (patch, light curves, limits, test functions...)
- High resolution smoothing function (7,500 steps)
- Overvoltage detection and phase voltage display
- Single pole and neutral breakers on each channel
- Choice of RCD breaker options for full electrical protection
- Various options available



**TIVOLI P24**



**TIVOLI B24**





## DIGITOUR

### COMPACT MOBILE DIMMER

Digitour 6S brings the functionality of Tivoli software into a compact, portable package. The mobile nature of this unit, along with its compact dimensions and choice of connections, makes it ideal for events, corporate entertainment, temporary installations, architectural applications, or in multi-purpose venues. Positioning can be free-standing or rigged by means of an optional hanging yoke.

Digitour 6S's automatic mode allows the execution of sequences programmed into the unit via the keyboard without the aid of a lighting desk, with sequences set to trigger on start up or via local or external control.

- Compact size
- 6 x 16A or 3 x 25A configurations available
- DMX 512, 0/+10V, and local control
- LCD display for parameters settings (patch, light curves, limits, test functions ...)
- 120 internal cues & 190 cross fades remote controlled for stand alone and architectural applications
- High resolution smoothing function (7,500 steps)
- Bipolar breakers on each channel
- Choice of breaker options for full electrical protection
- Optional hanging yoke
- Fluorescent or Lectriflex multicable output



#### DIGITOUR 6S

6 x 16A NF sockets  
with fluorescent option



#### DIGITOUR 6S

6 x 16A CE form sockets



## RANGE OVERVIEW

### • SINGLE LENS LUMINAIRES

Source	Range	Lens Ø	Lens			
			Plano-convex	Pebble-convex	Fresnel	
LED	75 W	TIBO	130 mm	/	/	535
	150 W	ZEP	200 mm	/	/	340LF
	300 W	ZEP	200 mm	/	/	360LF
Tungsten	1000 W	LUTIN*	150 mm	306LPC	306LPB	306LF
	1000 / 1200 W	310H	200 mm	310HPC	310HPB	310HF
	2000 / 2500 W	329H	200 mm	329HPC	329HPB	329HF
	2000 / 2500 W	CIN'K**	250 mm	/	/	325LF
Discharge	5000 W	CIN'K**	250 mm	/	/	350LF / 350LV***
	1200 W CS	CIN'K**	250 mm	/	/	312LF
	2500 W HR	CIN'K**	250 mm	/	/	326LFV***

CS = Cold Strike / HR= Hot Restrike

(\*) Lutin = interchangeable lenses

(\*\*) Cin'k = interchangeable lamp bases

(\*\*\*) With fan-cooled front cassette

### • PROFILE SPOTS

Source	Range	Zoom				
		Wide	Middle	Narrow	Very Narrow	
LED	75 W	TIBO	533 15/45°			
	150 W	ZEP	643SX 28/54°	644SX 16/35°	641SX 11/26°	
	300 W	ZEP	663SX 28/54°	664SX 16/35°	661SX 11/26°	
Tungsten	300 / 500W	TIBO	503 15/45°			
	1000 / 1200 W	600SX	613SX 28/54°	614SX 16/35°	611SX 11/26°	
	2000 / 2500 W	700SX	713SX2 29/50°	714SX2 15/40°	710SX2 10/25°	711SX2 8/16°
Discharge	250 W CS	TIBO	523 15/45°			
	575 W HR	QUINCY	423SX 28/54°	424SX 16/35°	421SX 11/26°	
	2500 W HR	D'ARTAGNAN	933SNX 29/50°	934SNX 16/38°	930SNX 10/25°	

CS = Cold Strike / HR= Hot Restrike

● FOLLOWSPOTS

	Source	Magnetic PSU	Electronic PSU	DMX dimmer shutter option	Ultra compact range	Compact range		Grand range		Touring range
						Wide	Narrow			
LED	300 W		●	●	1166 Roxie 10.5/22.5°					
Tungsten	1000 / 1200 W				1116 Cricket 10.5/22.5°					
	2000 / 2500 W					1417 Ginger 13/24°	1117 Alex 7/14.5°			
Discharge	575 W HR		●		1124 Buxie 10.5/22.5°					
	1200 W CS	●				1419 Manon 13/24°	1119 Topaze 7/14.5°			
	1200 W HR	●		●		1449 Lucy 13/24°	1149 Super Korrigan 7/14.5°			
	1800 W HR		●	●		1459 Flo 13/24°	1159 Victor 7/14.5°			
	2500 W HR	●	●	●				1013+ Aramis 4.5/8°	1015 Cyrano 3/8°	1515 Merlin* 3/12°
	4000 W HR		●	●				1021 Lancelot 2/5°		

CS = Cold Strike / HR = Hot Restrike  
 (\*) Merlin: Electronic PSU only

**Robert Juliat’s photometrics**

Robert Juliat has proven photometrics which do not rely upon taking readings from the brightest part of the hot spot and under falsely favourable conditions. The extremely flat field beam of a Robert Juliat fixture ensures that the full amount of light is being used to maximum efficiency across the full diameter of the field – giving the best quality of light, for the widest variety of use.

The only valuable method to check the beam quality is to test a spot. As Robert Juliat is distributing directly all over the world through a stable network of partners, this can be easily achieved by contacting the local one.

Robert Juliat views the work of each lighting designer with the greatest respect and therefore prefers to answer your queries on a case by case basis. This way we can guarantee you accurate information suited to your purpose rather than have you rely on a table of general statistics.



Holiday on Ice

# SPECIFICATIONS - SINGLE LENS LUMINAIRES

## STANDARD VERSIONS

	Model	Model Name	Characteristics									
			Lens	Lens Ø	Power	Voltage	Socket	PSU				Lamp ref.
								Type	Hot restrike	DMX ignition control	PSU position	
LED	535	Tibo	Fresnel	130 mm	30 W	90 ---> 264 V 50/60 Hz	-	Electronic	Yes	●	Yoke	Variable White
	535	Tibo	Fresnel	130 mm	75 W	90 ---> 264 V 50/60 Hz	-	Electronic	Yes	●	Yoke	Warm / Neutral / Cool White
	340LF	Zep	Fresnel	200 mm	150 W	90 ---> 264 V 50/60 Hz	-	Electronic	Yes	●	Internal	Warm / Cool White
	360LF	Zep	Fresnel	200 mm	300 W	90 ---> 264 V 50/60 Hz	-	Electronic	Yes	●	Internal	Warm / Neutral Daylight / Cool White / Variable White
Tungsten	306LF	Lutin	Fresnel	150 mm	1000 W	230 V 50 Hz	GX9.5	-	-	-	-	CP70 / T19
	306LPB	Lutin	Pebble	150 mm	1000 W	230 V 50 Hz	GX9.5	-	-	-	-	CP70 / T19
	306LPC	Lutin	Plano Convex	150 mm	1000 W	230 V 50 Hz	GX9.5	-	-	-	-	CP70 / T19
	310HF	310H	Fresnel	200 mm	1000/1200 W	230 V 50 Hz	GX9.5	-	-	-	-	CP70 / T19 / CP90 / T29
	310HPB	310H	Pebble	200 mm	1000/1200 W	230 V 50 Hz	GX9.5	-	-	-	-	CP70 / T19 / CP90 / T29
	310HPC	310H	Plano Convex	200 mm	1000/1200 W	230 V 50 Hz	GX9.5	-	-	-	-	CP70 / T19 / CP90 / T29
	329HF	329H	Fresnel	200 mm	2000/2500 W	230 V 50 Hz	G22	-	-	-	-	CP91 / CP92
	329HPB	329H	Pebble	200 mm	2000/2500 W	230 V 50 Hz	G22	-	-	-	-	CP91 / CP92
	329HPC	329H	Plano Convex	200 mm	2000/2500 W	230 V 50 Hz	G22	-	-	-	-	CP91 / CP92
	325LF	CIN'K	Fresnel	250 mm	2000/2500 W	230 V 50 Hz	G22	-	-	-	-	CP91 / CP92
	350LF	CIN'K	Fresnel	250 mm	5000 W	230 V 50 Hz	G38	-	-	-	-	CP85 (CP29)
Discharge	312LF	CIN'K	Fresnel	250 mm	1200 W	230-245 V 50 Hz / 208 V 60 Hz	G22	Magnetic	No		Separate	MSD / MSR / MSR/2 / CSR/2 SE
	326LFV	CIN'K	Fresnel	250 mm	2500 W	230-245 V 50 Hz / 208 V 60 Hz	G38	Magnetic	Yes	○	Separate	MSR HR / HMI SE XS / CSR SEHR / USR SE
	326LFVE	CIN'K	Fresnel	250 mm	2500 W	195-264 V 50/60 Hz	G38	Electronic	Yes		Separate	MSR HR / HMI SE XS / CSR SEHR / USR SE

## NORTH AMERICAN VERSIONS

	Model	Model Name	Characteristics									
			Lens	Lens Ø	Power	Voltage	Socket	PSU				Lamp ref.
								Type	Hot restrike	DMX ignition control	PSU position	
LED	535C	Tibo	Fresnel	5"	30 W	90 ---> 264 V 50/60 Hz	-	Electronic	Yes	●	Yoke	Variable White
	535C	Tibo	Fresnel	5"	75 W	90 ---> 264 V 50/60 Hz	-	Electronic	Yes	●	Yoke	Warm / Neutral / Cool White
	340CLF	Zep	Fresnel	8"	150 W	90 ---> 264 V 50/60 Hz	-	Electronic	Yes	●	Internal	Warm / Cool White
	360CLF	Zep	Fresnel	8"	300 W	90 ---> 264 V 50/60 Hz	-	Electronic	Yes	●	Internal	Warm / Neutral Daylight / Cool White / Variable White
Tungsten	310TCHF	310H	Fresnel	8"	1000/1200 W	120 V 60 Hz	G22	-	-	-	-	EGT
	310TCHPB	310H	Pebble	8"	1000/1200 W	120 V 60 Hz	G22	-	-	-	-	EGT
	310TCHPC	310H	Plano Convex	8"	1000/1200 W	120 V 60 Hz	G22	-	-	-	-	EGT
	329CHF	329H	Fresnel	8"	2000 W	120 V 60 Hz	G22	-	-	-	-	CP92
	329CHPB	329H	Pebble	8"	2000 W	120 V 60 Hz	G22	-	-	-	-	CP92
	329CHPC	329H	Plano Convex	8"	2000 W	120 V 60 Hz	G22	-	-	-	-	CP92
	325CLF	CIN'K	Fresnel	10"	2000/2500 W	120 V 60 Hz	G22	-	-	-	-	CP92
Discharge	312CLF	CIN'K	Fresnel	10"	1200 W	120 V 60 Hz	G22	Magnetic	No		Separate	MSD / MSR / MSR/2 - CSR/2 SE
	326CLFV	CIN'K	Fresnel	10"	2500 W	208 V 60 Hz / 230-245 V 50 Hz	G38	Magnetic	Yes	○	Separate	CSR SE HR - HMI / SE XS - MSR HR-USR HR



**STANDARD VERSIONS** (1) Consult RJ for 1200 W position

	Model	Model Name	Characteristics								Optics					
			Power	Voltage	Socket	PSU				Lamp ref.	Beam angle		Gobo			
						Type	Hot restrike	DMX ignition control	PSU position		min.	max.	Steel gobo	Glass gobo	Plastic gobo	Gobo size
LED	533	Tibo	30 W	90 → 264 V 50/60 Hz	-	Electronic	Yes	●	Yoke	Variable White	15°	45°	Yes	Yes	Yes	M
	533	Tibo	75 W	90 → 264 V 50/60 Hz	-	Electronic	Yes	●	Yoke	Warm White / Cool White / Neutral White	15°	45°	Yes	Yes	Yes	M
	643SX	Zep	150 W	90 → 264 V 50/60 Hz	-	Electronic	Yes	●	Internal	Warm White / Cool White	28°	54°	Yes	Yes	Yes	A
	644SX	Zep	150 W	90 → 264 V 50/60 Hz	-	Electronic	Yes	●	Internal	Warm White / Cool White	16°	35°	Yes	Yes	Yes	A
	641SX	Zep	150 W	90 → 264 V 50/60 Hz	-	Electronic	Yes	●	Internal	Warm White / Cool White	11°	26°	Yes	Yes	Yes	A
	663SX	Zep	300 W	90 → 264 V 50/60 Hz	-	Electronic	Yes	●	Internal	Warm / Neutral Daylight / Cool White / Variable White	28°	54°	Yes	Yes	No	A
	664SX	Zep	300 W	90 → 264 V 50/60 Hz	-	Electronic	Yes	●	Internal	Warm / Neutral Daylight / Cool White / Variable White	16°	35°	Yes	Yes	No	A
	661SX	Zep	300 W	90 → 264 V 50/60 Hz	-	Electronic	Yes	●	Internal	Warm / Neutral Daylight / Cool White / Variable White	11°	26°	Yes	Yes	No	A
Tungsten	503	Tibo	300/500 W	230 V 50 Hz	GY9.5	-	-	-	-	CP81 / CP82 / M40	15°	45°	Yes	Yes	No	M
	613SX	600SX	1000/1200 W <sup>1</sup>	230 V 50 Hz	GX9.5	-	-	-	-	CP70 / T19 (T11) / CP90 / T29	28°	54°	Yes	Yes	No	A
	614SX	600SX	1000/1200 W <sup>1</sup>	230 V 50 Hz	GX9.5	-	-	-	-	CP70 / T19 (T11) / CP90 / T29	16°	35°	Yes	Yes	No	A
	611SX	600SX	1000/1200 W <sup>1</sup>	230 V 50 Hz	GX9.5	-	-	-	-	CP70 / T19 (T11) / CP90 / T29	11°	26°	Yes	Yes	No	A
	713SX2	700SX2	2000/2500 W	230 V 50 Hz	G22	-	-	-	-	CP91 / CP92	29°	50°	Yes	Yes	No	A
	714SX2	700SX2	2000/2500 W	230 V 50 Hz	G22	-	-	-	-	CP91 / CP92	15°	40°	Yes	Yes	No	A
	710SX2	700SX2	2000/2500 W	230 V 50 Hz	G22	-	-	-	-	CP91 / CP92	10°	25°	Yes	Yes	No	A
	711SX2	700SX2	2000/2500 W	230 V 50 Hz	G22	-	-	-	-	CP91 / CP92	8°	16°	Yes	Yes	No	A
Discharge	523	Tibo	250 W	198 → 264 V 50/60 Hz	G12	Electronic	No		Yoke	CDM-T 830 / CDM-T 942	15°	45°	Yes	Yes	No	M
	423SX	Quincy	575 W	90 → 264 V 50/60 Hz	G22	Electronic	Yes		Yoke	MSD HR	28°	54°	Yes	Yes	No	A
	424SX	Quincy	575 W	90 → 264 V 50/60 Hz	G22	Electronic	Yes		Yoke	MSD HR	16°	35°	Yes	Yes	No	A
	421SX	Quincy	575 W	90 → 264 V 50/60 Hz	G22	Electronic	Yes		Yoke	MSD HR	11°	26°	Yes	Yes	No	A
	933SNX	D'Artagnan	2500 W	230-245 V 50 Hz / 208 V 60 Hz	G38	Magnetic	Yes	●	Separate	MSR HR / HMI SE XS / CSR SEHR / USR HR	29°	50°	Yes	Yes	No	A
	934SNX	D'Artagnan	2500 W	230-245 V 50 Hz / 208 V 60 Hz	G38	Magnetic	Yes	●	Separate	MSR HR / HMI SE XS / CSR SEHR / USR HR	16°	38°	Yes	Yes	No	A
930SNX	D'Artagnan	2500 W	230-245 V 50 Hz / 208 V 60 Hz	G38	Magnetic	Yes	●	Separate	MSR HR / HMI SE XS / CSR SEHR / USR HR	10°	25°	Yes	Yes	No	A	

**NORTH AMERICAN VERSIONS**

	Model	Model Name	Characteristics								Optics					
			Power	Voltage	Socket	PSU				Lamp ref.	Beam angle		Gobo			
						Type	Hot restrike	DMX ignition control	PSU position		min.	max.	Steel gobo	Glass gobo	Plastic gobo	Gobo size
LED	533C	Tibo	30 W	90 → 264 V 50/60 Hz	-	Electronic	Yes	●	Yoke	Variable White	15°	45°	Yes	Yes	Yes	M
	533C	Tibo	75 W	90 → 264 V 50/60 Hz	-	Electronic	Yes	●	Yoke	Warm White / Cool White / Neutral White	15°	45°	Yes	Yes	Yes	M
	643CSX	Zep	150 W	90 → 264 V 50/60 Hz	-	Electronic	Yes	●	Internal	Warm White / Cool White	28°	54°	Yes	Yes	Yes	A
	644CSX	Zep	150 W	90 → 264 V 50/60 Hz	-	Electronic	Yes	●	Internal	Warm White / Cool White	16°	35°	Yes	Yes	Yes	A
	641CSX	Zep	150 W	90 → 264 V 50/60 Hz	-	Electronic	Yes	●	Internal	Warm White / Cool White	11°	26°	Yes	Yes	Yes	A
	663CSX	Zep	300 W	90 → 264 V 50/60 Hz	-	Electronic	Yes	●	Internal	Warm / Neutral Daylight / Cool White / Variable White	28°	54°	Yes	Yes	No	A
	664CSX	Zep	300 W	90 → 264 V 50/60 Hz	-	Electronic	Yes	●	Internal	Warm / Neutral Daylight / Cool White / Variable White	16°	35°	Yes	Yes	No	A
	661CSX	Zep	300 W	90 → 264 V 50/60 Hz	-	Electronic	Yes	●	Internal	Warm / Neutral Daylight / Cool White / Variable White	11°	26°	Yes	Yes	No	A
Tungsten	503C	Tibo	300/500 W	120 V 60 Hz	GY9.5	-	-	-	-	CP81-120V / CP82-120V	15°	45°	Yes	Yes	No	M
	613CSX	600SX	1000/1200 W	120 V 60 Hz	G22	-	-	-	-	EGT	28°	54°	Yes	Yes	No	A
	614CSX	600SX	1000/1200 W	120 V 60 Hz	G22	-	-	-	-	EGT	16°	35°	Yes	Yes	No	A
	611CSX	600SX	1000/1200 W	120 V 60 Hz	G22	-	-	-	-	EGT	11°	26°	Yes	Yes	No	A
	713CSX2	700SX	2000/2500 W	120 V 60 Hz	G22	-	-	-	-	CP92	29°	50°	Yes	Yes	No	A
	714CSX2	700SX	2000/2500 W	120 V 60 Hz	G22	-	-	-	-	CP92	15°	40°	Yes	Yes	No	A
	710CSX2	700SX	2000/2500 W	120 V 60 Hz	G22	-	-	-	-	CP92	10°	25°	Yes	Yes	No	A
	711CSX2	700SX	2000/2500 W	120 V 60 Hz	G22	-	-	-	-	CP92	8°	16°	Yes	Yes	No	A
Discharge	423CSX	Quincy	575 W	90 → 264 V 50/60 Hz	G22	Electronic	Yes		Yoke	MSD HR	28°	54°	Yes	Yes	No	A
	424CSX	Quincy	575 W	90 → 264 V 50/60 Hz	G22	Electronic	Yes		Yoke	MSD HR	16°	35°	Yes	Yes	No	A
	421CSX	Quincy	575 W	90 → 264 V 50/60 Hz	G22	Electronic	Yes		Yoke	MSD HR	11°	26°	Yes	Yes	No	A
	933CSNX	D'Artagnan	2500 W	208V 60 Hz / 230-245 V 50Hz	G38	Magnetic	Yes	●	Separate	MSR HR / HMI SE XS / CSR SEHR / USR HR	29°	50°	Yes	Yes	No	A
	934CSNX	D'Artagnan	2500 W	208V 60 Hz / 230-245 V 50 Hz	G38	Magnetic	Yes	●	Separate	MSR HR / HMI SE XS / CSR SEHR / USR HR	16°	38°	Yes	Yes	No	A
	930CSNX	D'Artagnan	2500 W	208V 60 Hz / 230-245 V 50 Hz	G38	Magnetic	Yes	●	Separate	MSR HR / HMI SE XS / CSR SEHR / USR HR	10°	25°	Yes	Yes	No	A

(2) Up to 8 shutters: 4 included + 4 optional (3) 2 parts needed (4) 4 included ● = Included ○ = Optional

Features												Accessories															
DMX Dimmer Shutter	W-DMX with DMX	Interchangeable lamp trays	Gel frame holder						Yoke		Gobo holder		Iris		Shutter		Gel filter holder			Internal frosted glass			Clamps			Safety cable	
			Single slot			Double slots			Straight	Angled	SGUT	SGUX	IS500	IWSX755	D4	D8	PF100M	PF500M2	PF1000M2	VD120	872 (pipes: Ø48 to 51mm)	878 (pipes: Ø35 to 51mm)	876 (pipes: Ø35 to 50mm)	880 (pipes: Ø50 to 65mm)			
			138x138mm	180x180mm	215x215mm	180x180mm	185x185mm	215x215mm																	245x245mm		
			●						●		○		○			●					○		○				○
	○		●						●		○		○			●					○		○				○
	○			●					●	○			○			●					○		○				○
	○			●					●	○			○			●					○		○				○
	○			●					●	○			○			●					○		○				○
	○			●					●	○			○			●					○		○				○
	○			●					●	○			○			●					○		○				○
	○			●					●	○			○			●					○		○				○
	○			●					●	○			○			●					○		○				○
	○			●					●	○			○			●					○		○				○
	○			●					●	○			○			●					○		○				○
	○			●					●	○			○			●					○		○				○
	○			●					●	○			○			●					○		○				○
	○			●					●	○			○			●					○		○				○
	○			●					●	○			○			●					○		○				○
	○			●					●	○			○			●					○		○				○
	○			●					●	○			○			●					○		○				○
	○			●					●	○			○			●					○		○				○
	○			●					●	○			○			●					○		○				○
	○			●					●	○			○			●					○		○				○
	○			●					●	○			○			●					○		○				○
	○			●					●	○			○			●					○		○				○
	○			●					●	○			○			●					○		○				○
	○			●					●	○			○			●					○		○				○
	○			●					●	○			○			●					○		○				○
	○			●					●	○			○			●					○		○				○
	○			●					●	○			○			●					○		○				○
	○			●					●	○			○			●					○		○				○
	○			●					●	○			○			●					○		○				○
	○			●					●	○			○			●					○		○				○
	○			●					●	○			○			●					○		○				○
	○			●					●	○			○			●					○		○				○
	○			●					●	○			○			●					○		○				○
	○			●					●	○			○			●					○		○				○
	○			●					●	○			○			●					○		○				○
	○			●					●	○			○			●					○		○				○
	○			●					●	○			○			●					○		○				○
	○			●					●	○			○			●					○		○				○
	○			●					●	○			○			●					○		○				○
	○			●					●	○			○			●					○		○				○
	○			●					●	○			○			●					○		○				○
	○			●					●	○			○			●					○		○				○
	○			●					●	○			○			●					○		○				○
	○			●					●	○			○			●					○		○				○
	○			●					●	○			○			●					○		○				○
	○			●					●	○			○			●					○		○				○
	○			●					●	○			○			●					○		○				○
	○			●					●	○			○			●					○		○				○
	○			●					●	○			○			●					○		○				○
	○			●					●	○			○			●					○		○				○
	○			●					●	○			○			●					○		○				○
	○			●					●	○			○			●					○		○				○
	○			●					●	○			○			●					○		○				○
	○			●					●	○			○			●					○		○				○
	○			●					●	○			○			●					○		○				○
	○			●					●	○			○			●					○		○				○
	○			●					●	○			○			●					○		○				○
	○			●					●	○			○			●					○		○				○
	○			●					●	○			○			●					○		○				○
	○			●					●	○			○			●					○		○				○
	○			●					●	○			○			●					○		○				○
	○			●					●	○			○			●					○		○				○
	○			●					●	○			○			●					○		○				○
	○			●					●	○			○			●					○		○				○
	○			●					●	○			○			●					○		○				○
	○			●					●	○			○			●					○		○				○
	○			●					●	○			○			●					○		○				○
	○			●					●	○			○			●					○		○				○
	○			●					●	○			○			●					○		○				○
	○			●					●	○			○			●					○		○				○
	○			●					●	○			○			●					○		○				○
	○			●					●	○			○			●					○		○				○
	○			●					●	○			○			●					○		○				○
	○			●					●	○			○			●					○		○				○
	○			●					●	○			○			●					○		○				○
	○			●					●	○			○			●					○		○				○
	○			●					●	○			○			●					○		○				○
	○			●					●	○			○			●					○		○				○
	○			●					●	○			○			●					○		○				○
	○			●					●	○			○			●					○		○				○
	○			●					●	○			○			●					○		○				○
	○			●					●	○			○			●					○		○				○
	○			●					●	○			○			●					○		○				○
	○			●					●	○			○			●					○		○				○
	○			●					●	○			○			●					○		○				○
	○			●					●	○			○			●					○		○				○
	○			●					●																		

## SPECIFICATIONS - FOLLOWSPOTS

## STANDARD VERSIONS

(1) consult RJ for 1200 W position

	Model	Model Name	Characteristics							
			Power	Voltage	Socket	PSU				Lamp ref.
						Type	Hot restrike	DMX ignition control	PSU position	
LED	1166	Roxie	300 W	90 → 264 V 50/60 Hz	-	Electronic	Yes	●	Internal	Warm White / Neutral Daylight White / Cool White
Tungsten	1116	Cricket	1000/1200 W	230V 50Hz	G22	Electronic	-	-	-	CP71 / CP40 / CP93
	1116A	Cricket	1000/1200 W <sup>1</sup>	230V 50Hz	GX9,5	-	-	-	-	CP70 / T19 / CP90 / T29
	1117	Alex	2000/2500 W	230V 50Hz	G22	-	-	-	-	CP91 / CP92
	1417	Ginger	2000/2500 W	230V 50Hz	G22	-	-	-	-	CP91 / CP92
Discharge	1124D	Buxie	575 W	90 → 265 V 50/60 Hz	G22	Electronic	Yes		Yoke	MSD HR
	1119	Topaze	1200 W	230-245V 50Hz / 208V 60Hz	G22	Magnetic	No		Separate	MSD
	1419	Manon	1200 W	230-245V 50Hz / 208V 60Hz	G22	Magnetic	No		Separate	MSD
	1149	Super Korrigan	1200 W	230-245V 50Hz / 208V 60Hz	SfC 15.5-6	Magnetic	Yes		Separate	HMI GS / CSR DE
	1449	Lucy	1200 W	230-245V 50Hz / 208V 60Hz	SfC 15.5-6	Magnetic	Yes		Separate	HMI GS / CSR DE
	1159	Victor	1800 W	195 → 264 V 50/60 Hz	SfC 15.5-6	Electronic	Yes	○	Separate	MSR DE
	1459	Flo	1800 W	195 → 264 V 50/60 Hz	SfC 15.5-6	Electronic	Yes	○	Separate	MSR DE
	1013+	Aramis	2500 W	230-245V 50Hz / 208V 60Hz	SfA 21	Magnetic	Yes	○	Separate	HMI/S XS
	1013+M	Aramis	2500 W	195 → 264 V 50/60 Hz	SfA 21	Electronic	Yes		Separate	HMI/S XS
	1015	Cyrano	2500 W	230-245V 50Hz / 208V 60Hz	SfA 21	Magnetic	Yes	○	Separate	HMI/S XS
	1015M	Cyrano	2500 W	195 → 264 V 50/60 Hz	SfA 21	Electronic	Yes		Separate	HMI/S XS
	1515	Merlin	2500 W	200 → 250 V 50/60 Hz	SfA 21	Electronic	Yes	●	Internal	HMI/S XS
	1021TM	Lancelot	4000 W	195 → 264 V 50/60 Hz	S25.5	Electronic	Yes		Separate	HTI DE

## NORTH AMERICAN VERSIONS

	Model	Model Name	Characteristics							
			Power	Voltage	Socket	PSU				Lamp ref.
						Type	Hot restrike	DMX ignition control	PSU position	
LED	1166C	Roxie	300 W	90 → 264 V 50/60 Hz	-	Electronic	Yes	●	Internal	Warm White / Neutral Daylight White / Cool White
Tungsten	1116B	Cricket	1000 W	120V 60Hz	G22	-	-	-	-	CP71 / CP40 / CP93
	1117C	Alex	2000 W	120V 60Hz	G22	-	-	-	-	CP91 / CP92
	1417C	Ginger	2000 W	120V 60Hz	G22	-	-	-	-	CP91 / CP92
	1124CD	Buxie	575 W	90 → 265 V 50/60 Hz	G22	Electronic	Yes		Yoke	MSD HR
Discharge	1119C	Topaze	1200 W	230-245V 50Hz / 208V 60Hz	G22	Magnetic	No		Separate	MSD
	1119C	Topaze	1200 W	120 V 60 Hz	G22	Magnetic	No		Separate	MSD
	1419C	Manon	1200 W	230-245V 50Hz / 208V 60Hz	G22	Magnetic	No		Separate	MSD
	1419C	Manon	1200 W	120 V 60 Hz	G22	Magnetic	No		Separate	MSD
	1149C	Super Korrigan	1200 W	230-245V 50Hz / 208V 60Hz	SfC 15.5-6	Magnetic	Yes		Separate	CSR DE - HMI / DXS - MSI 1200
	1149C	Super Korrigan	1200 W	120 V 60 Hz	SfC 15.5-6	Magnetic	Yes		Separate	CSR DE - HMI / DXS - MSI 1200
	1149CB	Super Korrigan	1200 W	230-245V 50Hz / 208V 60Hz	SfC 15.5-6	Magnetic	Yes		Separate	CSR DE - HMI / DXS - MSI 1200
	1149CB	Super Korrigan	1200 W	120 V 60 Hz	SfC 15.5-6	Magnetic	Yes		Separate	CSR DE - HMI / DXS - MSI 1200
	1449C	Lucy	1200 W	230-245V 50Hz / 208V 60Hz	SfC 15.5-6	Magnetic	Yes		Separate	CSR DE - HMI / DXS - MSI 1200
	1449C	Lucy	1200 W	120 V 60 Hz	SfC 15.5-6	Magnetic	Yes		Separate	CSR DE - HMI / DXS - MSI 1200
	1449CB	Lucy	1200 W	230-245V 50Hz / 208V 60Hz	SfC 15.5-6	Magnetic	Yes		Separate	CSR DE - HMI / DXS - MSI 1200
	1449CB	Lucy	1200 W	120 V 60 Hz	SfC 15.5-6	Magnetic	Yes		Separate	CSR DE - HMI / DXS - MSI 1200
	1159C	Victor	1800 W	195 → 265 V 50/60 Hz	SfC 15.5-6	Electronic	Yes	○	Separate	MSR DE
	1459C	Flo	1800 W	195 → 265 V 50/60 Hz	SfC 15.5-6	Electronic	Yes	○	Separate	MSR DE
	1013+C	Aramis	2500 W	230-245V 50Hz / 208V 60Hz	SfA 21	Magnetic	Yes	○	Separate	HMI/S XS
	1013+CM	Aramis	2500 W	195 → 265 V 50/60 Hz	SfA 21	Electronic	Yes		Separate	HMI/S XS
	1015C	Cyrano	2500 W	230-245V 50Hz / 208V 60Hz	SfA 21	Magnetic	Yes	○	Separate	HMI/S XS
	1015CM	Cyrano	2500 W	195 → 264 V 50/60 Hz	SfA 21	Electronic	Yes		Separate	HMI/S XS
1515C	Merlin	2500 W	200 → 250 V 50/60 Hz	SfA 21	Electronic	Yes	●	Internal	HMI/S XS	
1021CTM	Lancelot	4000 W	195 → 264 V 50/60 Hz	S25.5	Electronic	Yes		Separate	HTI DE	



(A) Maximum picture size: 72mm (B) Maximum picture size: 55mm

○ = Optional ● = Included

Optics					Features								Accessories																						
Beam angle		Gobo			Dimmer Shutter		Frosted glass		Colour correction Filter	Dichroic filter holders (x2)	Colour changer		Gobo holder					Iris			Chopper		Stand												
min.	max.	Metal	Glass	Size	W-DMX	Local control	DMX control	Progressive - Local			Progressive - DMX	Flip lever	Boomerang	Push/Pull	Adjustable Yoke	SGUX	SGUP	SGS	SGUM	SGUL	IS 750	CCU1	CCU2	CCUL	Built-in	G80 - Horizontal	G56 - Horizontal	Built-in - Horizontal & Vertical	GT800	GT1000	GT4000	GT4000S	GT4000R	T4000	JPP
10.5°	22.5°	Yes	Yes	A	○	●	●					●		●					●									○	○					○	
10.5°	22.5°	Yes	Yes	A								●		●					●									○	○					○	
10.5°	22.5°	Yes	Yes	A								●		●					●									○	○					○	
7°	14.5°	Yes	Yes	A		●				●		○	○		●					●				○				○	○	○	○	○	○	○	
13°	24°	Yes	Yes	A		●				●		○	○		●					●				○				○	○	○	○	○	○	○	
10.5°	22.5°	Yes	Yes	A		●						●		●					●									○	○					○	
7°	14.5°	Yes	Yes	A		●				●	○		○		●					●				○				○	○	○	○	○	○	○	
13°	24°	Yes	Yes	A		●				●	○		○		●					●				○				○	○	○	○	○	○	○	
7°	14.5°	Yes	Yes	A		●	○			●	○		○		●					●				○				○	○	○	○	○	○	○	
13°	24°	Yes	Yes	A		●	○			●	○		○		●					●				○				○	○	○	○	○	○	○	
7°	14.5°	Yes	Yes	A		●	○			●	○		○		●					●				○				○	○	○	○	○	○	○	
13°	24°	Yes	Yes	A		●	○			●	○		○		●					●				○				○	○	○	○	○	○	○	
4.5°	8°	Yes	Yes	B		●	○			●	●		●	○	●					●				○				○	○	○	○	○	○	○	
4.5°	8°	Yes	Yes	B		●	○			●	●		●	○	●					●				○				○	○	○	○	○	○	○	
3°	8°	Yes	Yes	B		●	○	●	○		●	●		●						●				○				○	○	○	○	○	○	○	
3°	8°	Yes	Yes	B		●	○	●	○		●	●		●						●				○				○	○	○	○	○	○	○	
3°	12°	Yes	Yes	A	○	●	○	●					●				●						●			●			○	○	○	○	○	○	
2°	5°	Yes	Yes	A		●	○	●	○		○		●					●					●	●					○	○			○		

(A) Maximum picture size: 72mm (B) Maximum picture size: 55mm

○ = Optional ● = Included

Optics					Features								Accessories																							
Beam angle		Gobo			Dimmer Shutter		Frosted glass		Colour correction Filter	Dichroic filter holders (x2)	Colour changer		Gobo holder					Iris			Chopper		Stand													
min.	max.	Metal	Glass	Size	W-DMX	Local control	DMX control	Progressive - Local			Progressive - DMX	Flip lever	Boomerang	Push/Pull	Adjustable Yoke	SGUX	SGUP	SGS	SGUM	SGUL	IS 750	CCU1	CCU2	CCUL	Built-in	G80 - Horizontal	G56 - Horizontal	Built-in - Horizontal & Vertical	GT800	GT1000	GT4000	GT4000S	GT4000R	T4000	JPP	
10.5°	22.5°	Yes	Yes	A	○	●	●						●		●				●									○	○					○		
10.5°	22.5°	Yes	Yes	A									●		●					●									○	○					○	
7°	14.5°	Yes	Yes	A		●				●			○		●					●				○				○	○	○	○	○	○	○		
13°	24°	Yes	Yes	A		●				●		○	○		●					●				○				○	○	○	○	○	○	○		
10.5°	22.5°	Yes	Yes	A		●							●		●					●									○	○					○	
7°	14.5°	Yes	Yes	A		●				●	○		○		●					●				○				○	○	○	○	○	○	○		
7°	14.5°	Yes	Yes	A		●				●	○		○		●					●				○				○	○	○	○	○	○	○		
13°	24°	Yes	Yes	A		●				●	○		○		●					●				○				○	○	○	○	○	○	○		
13°	24°	Yes	Yes	A		●				●	○		○		●					●				○				○	○	○	○	○	○	○		
7°	14.5°	Yes	Yes	A		●				●	○		○		●					●				○				○	○	○	○	○	○	○		
7°	14.5°	Yes	Yes	A		●				●	○		○		●					●				○				○	○	○	○	○	○	○		
7°	14.5°	Yes	Yes	A		●	○			●	○		○		●					●				○				○	○	○	○	○	○	○		
7°	14.5°	Yes	Yes	A		●	○			●	○		○		●					●				○				○	○	○	○	○	○	○		
13°	24°	Yes	Yes	A		●				●	○		○		●					●				○				○	○	○	○	○	○	○		
13°	24°	Yes	Yes	A		●				●	○		○		●					●				○				○	○	○	○	○	○	○		
13°	24°	Yes	Yes	A		●	○			●	○		○		●					●				○				○	○	○	○	○	○	○		
7°	14.5°	Yes	Yes	A		●	○			●	○		○		●					●				○				○	○	○	○	○	○	○		
13°	24°	Yes	Yes	A		●	○			●	○		○		●					●				○				○	○	○	○	○	○	○		
4.5°	8°	Yes	Yes	B		●	○			●	●		●	○	●					●				○				○	○	○	○	○	○	○		
4.5°	8°	Yes	Yes	B		●	○			●	●		●	○	●					●				○				○	○	○	○	○	○	○		
3°	8°	Yes	Yes	B		●	○	●	○		●	●		●						●				○				○	○	○	○	○	○	○		
3°	8°	Yes	Yes	B		●	○	●	○		●	●		●						●				○				○	○	○	○	○	○	○		
3°	12°	Yes	Yes	A	○	●	○	●					●				●						●			●			○	○	○	○	○	○		
2°	5°	Yes	Yes	A		●	○	●	○		○		●					●					●	●					○	○			○			

Cover page 2: London Royal Albert Hall; Washington Kennedy Center; O2 Dome, UK; Esplanade, Theatres On The Bay, Singapore; Saint-Petersburg Mariinsky Opera House; Palau de les Arts Reina Sofia, Valencia, Spain; Sydney Opera House; Paris Bastille Opera House; Copenhagen Opera House

Page VIII: Royal Theatre in the Hague, The Netherlands © Kuno Van Velzen

Page XII: Sadler's Wells London, Run Mary Run, Natalia Osipova's triple bill © Bill Cooper

Page 1: Et Moderne Sted, courtesy of Oslo Opera House; United Nations meeting in Mauritius; Courtesy of Teatro Eliseo di Nuoro; Palau de les Arts Reina Sofia, Valencia, Spain

Page 4: Tornerose, courtesy of Oslo Opera House; Paris Palais Garnier Opera House

Page 5: Limbs; Tosca, Palau de les Arts Reina Sofia © Tato Baeza

Page 6: St John's, Smith Square, London, © Joss Gamble

Page 7: La Traviata © Marijela Margeta Hasimbegovic; Courtesy of Cinema Teatro di Nonantola, Modena

Page 8: Théâtre National Mohammed V, Rabat, Morocco; École Challoner, Kingston, UK

Page 9: Nicola Dal Maso antepiano Nozze di Figaro; Courtesy of Teatro Municipale di Piacenza

Page 10: King Lear, Palais des Papes © Frédéric Nauczyciel

Page 11: Manhattan © Philippe Berthomé; Nicola Dal Maso antepiano Nozze di Figaro; La traviata © Marijela Margeta Hasimbegovic

Page 12: Don Giovanni, Palau de les Arts Reina Sofia © Tato Baeza; Septemberdansen, courtesy of Oslo Opera House; Evita, LD Paule Constable © Johan Persson

Page 13: Simon Boccanegra, Palau de les Arts Reina Sofia © Tato Baeza; Athens Megaron Concert Hall, Greece; La Bohème, Palau de les Arts Reina Sofia © Tato Baeza

Page 14: Hamlet © Sebastian Hoppe, Lightpower

Page 15: Quizz 71 © Groupe RTL Belgium; Show me, Germany © Robert Grischek, Lightpower; Bloomsbury Studio Theater London © Paul Murphy architects; La Manufacture, Haute Ecole des arts de la scène, Lausanne-Malley © Adrien Barakat

Page 16: Operaen, Copenhagen Opera House © Lars Schmidt

Page 17: Coliseum, London © Grant Smith; Ben Hur, Stade de France; La Bohème, Palau de les Arts Reina Sofia, © Tato Baeza; Las Vegas Colosseum, Caesars Palace

Page 20: European Parliament in Brussels © I Love Light

Page 21: Opéra Royal de Versailles © Hervé Lewandowski; Jusqu'à ce que Dieu, Le Quartz © Alain Monot; European Parliament in Brussels © I Love Light

Page 22: La cité du Vin Bordeaux, Anaka / XTU architects; Royal Theater The Hague © Kuno van Velzen; Old Vic Theatre © Philip Vile

Page 23: Touch, courtesy of Oslo Opera House; Opéra de Lyon, © Bertrand Boichon; Grimaldi Forum Monaco, Monte Carlo © JC Vinaj, l'Agence; Dresden Semperoper, Germany

Page 24: Château des ducs de Bretagne, © Alain Guillard; Goboland Projection; Chinon Castle

Page 25: Nicola Dal Maso antepiano Nozze di Figaro; Paris Car Show; Cinéscénie, Puy du Fou Theme Park, France

Page 27 & 28: TV Studio Canal Plus

Page 29: University of Copenhagen © Laura Starmer; Ragnarock Roskilde Museum © Kasper Stouenborg

Page 30: The Lapidarium of Kings Copenhagen, © Kasper Stouenborg; National Audiovisual Institute Nina - Narodowy © LTT, Kacper Pazdzior

Page 31: Alpine Ski WM, Medal Place, © GEPA, Lightpower; Horse of the Year, UK, © Gwen Harris, White Light Ltd; Vasile Alecsandri National Theatre in Iasi, Romania, © dBTechnolight; Château des ducs de Bretagne, © Alain Guillard

Page 32: © Ralph Larmann

Page 33: Royal Opera House; Maffay 2007, Germany © Bjoern Gaentzsch, Lightpower; Victorio & Lucchino Fashion Show, LD: Miguel Fdez. Ubiria © Antonio Ruiz Aragó-Estrop; Amsterdam Arena © Jarno Kraayvanger

Page 34: South Hill Park Arts Centre, UK. Lighting Designer Chris Withers

Page 35: Oskar Nedbal theatre Tabor, Czech Republic; Vulcania © Francis Debaisieux; Staatsoper Hannover

Page 36: Miss Saigon, Courtesy of Show Technology; ICC Birmingham, UK; Flaggermusen, courtesy of Oslo Opera House

Page 37: Teatrul de Arta Dramatica Deva; Victorio & Lucchino Fashion Show, LD Miguel Fdez. Ubiria © Antonio Ruiz Aragó-Estrop

Page 40: Sascha Grammel puppettheater; Pro JGS, Czech Republic; Bangkok Siam Niramit, Thailand; Don Carlo, courtesy of Oslo Opera House

Page 41: Victorio & Lucchino Fashion Show, LD Miguel Fdez. Ubiria, © Antonio Ruiz Aragó-Estrop; Robbie Williams; Holiday On Ice

Page 42: Courtesy of Tomcat Europe; Nightwish © Björn Gaentzsch, Lightpower; Andre Rieu - Düsseldorf

Page 43: Pur Tour, Germany © Bjoern Gaentzsch, Lightpower; One Direction, Where we are tour © Calvin Aurand; Show Me © Robert Grischek

Page 46: South African Music Awards 2013, courtesy of DWR; Cyrano on a chair; Turandot, Handa Opera on Sydney Harbour © Hamilton Lund & Prudence Upton; Amsterdam Arena © Jarno Kraayvanger

Page 47: National Rugby League Grand Final, Sydney © Cat Strom; Bildauswahl Berlin © Ralph Larmann; Oslo Opera House

Page 48: The Queen Diamond Jubilee, UK, Lighting Design Durham Marengi, Photo by Jennie Marengi, courtesy of RWP

Page 49: Download Festival, UK © PRG UK; Take That © Kris Goodman; Wembley Stadium, UK; Cheeks © Ralph Larmann

Page 50 & 51: European Games in Baku 2015 © Ralph Larmann

Page 54: Tattoo Military Festival Wellington © Blair McLaren, followspot op Katie-Jane Bowen

Page 55: Tattoo Military Festival Wellington © Blair McLaren; Scandal, Japan; Stagelight Switzerland © Daniela Lemmenmeier

Page 56: Dalis cyclorama

Page 57: Sandaime Richard by Hideki Noda, Director ONG Keng Sen, Set design KATO Chika, Lighting Scott ZIELINSKI, Costume YANAIHARA Mitsushi, Video TAKAHASHI Keisuke, Music YAMANAKA Toru, Co-producers Tokyo Metropolitan Theatre / Singapore International Festival of Arts, Photographer Jun Ishikawa; Cyrano de Bergerac / Das Rheingold, Palau de les Arts Reina Sofia © Tato Baeza

Page 58: Balletgala 2016 Badisches Staatstheater Karlsruhe © Jochen Klenk

Page 60: Sandaime Richard by Hideki Noda, Director ONG Keng Sen, Set design KATO Chika, Lighting Scott ZIELINSKI, Costume YANAIHARA Mitsushi, Video TAKAHASHI Keisuke, Music YAMANAKA Toru, Co-producers Tokyo Metropolitan Theatre / Singapore International Festival of Arts, Photographer Jun Ishikawa

Page 61: Balletgala Badisches Staatstheater Karlsruhe © Jochen Klenk; Opemball Badisches Staatstheater Karlsruhe © Stefan Woinke; © Robert Juliat; TV studio © SWR Stuttgart

Page 62: The Barber of Seville, © Rémi Pichot Duclos; Svanesjøen, courtesy of Oslo Opera House

Page 63: Noah; La Bohème; Cyrano de Bergerac, Palau de les Arts Reina Sofia © Tato Baeza; Installgood

Page 64: Sophiatown © Neo Ntsoma

Page 65: Ballettskolen, Don Quixote

Page 66: JM SON, France

Page 67: La Bruja, courtesy of Oslo Opera House; Don Carlo, Palau de les Arts Reina Sofia © Tato Baeza; Das Rheingold, courtesy of Oslo Opera House

Page 68: Fidelio, courtesy of Oslo Opera House; National Theater of Strasbourg (TNS), © Franck Beloncle; Nøtteknekkeren, Palau de les Arts Reina Sofia © Tato Baeza

Page 69: Grande halle du Parc de la Villette, © Serge Sautereau; Siegfried, courtesy of Oslo Opera House

Page 71: Courtesy of Holiday On Ice

Cover page 3: Palacio De Bellas Artes, Mexico; Oriental Art Center, Shanghai; Monaco Montecarlo Grimaldi Forum, ©Xplora; Skk Yerevan, Armenia; National Centre for the Performing Arts, Beijing; Antalya, Turkey; New York Metropolitan Theatre "The Met"; Place Des Arts, Montreal, Canada; Milano Teatro alla Scala, Italy

Our deepest apologies to those whom we could not include due to lack of space.

No-contractual photos. Reproduction forbidden without Robert Juliat's written authorization.

Robert Juliat reserves the right to change any item or information detailed in this brochure or to improve manufacturing techniques without prior notice.

**ROBERT JULIAT IS THE PROUD SUPPLIER OF:** AMSTERDAM SCHOOL OF THE ARTS, THE NETHERLANDS - HONG KONG ACADEMY FOR PERFORMING ARTS - ELTON JOHN - NATIONAL OPERA HOUSE, HELSINKI, FINLAND - RAI RADIOTELEVISIONE ITALIANA - BMW WORLD, MÜNICH, GERMANY - GLYNDEBOURNE THEATRE FESTIVAL, UK - SKK YEREVAN, ARMENIA - THE EUROPEAN PARLIAMENT, BRUSSELS, BELGIUM - GOLD REEF CITY LYRIC THEATRE, SOUTH AFRICA - MTV STUDIOS, USA - ROMA TEATRO DELLE VITTORIE, ITALY - DOHA AL WABJAH ROYAL PALACE, QATAR - SYDNEY OPERA HOUSE, AUSTRALIA - ROYAL SHAKESPEARE COMPANY, UK - ZADAR CROATIAN NATIONAL THEATRE - MADONNA - FESTIVAL OF AVIGNON, FRANCE - CAPE CROSS STUDIO & FILMLICHT GMBH KÖLN, GERMANY - BARCELONA EL LICEO OPERA HOUSE, SPAIN - HANOI NATIONAL CONVENTION CENTRE, VIETNAM - ATHENS NATIONAL THEATRE, GREECE - NBC STUDIOS, USA - VÖRÖSMARTY THEATRE SZEKESFEHERVAR, HUNGARY - THE ROYAL THEATRE BALLET SCHOOL, ODENSE, DENMARK - CIRQUE DU SOLEIL SHOWS - WARSAW POLISH NATIONAL OPERA - LISBON SAN CARLOS NATIONAL THEATRE, PORTUGAL - PARIS CAR SHOW - SOREAD-2M TV, CASABLANCA, MOROCCO - MONACO GARNIER OPERA - WALT DISNEY THEME PARKS - PARIS ACCORHOTELS ARENA - KOREA NATIONAL UNIVERSITY OF ARTS - WASHINGTON KENNEDY CENTRE, USA - TELEVISION NZ ONE - JACKIE CHEUNG WORLD TOUR - NATIONAL OPERA COMIC THEATRE, FRANCE - THE MARIN SORESCU NATIONAL THEATRE, ROMANIA - BANGKOK COMMUNITY THEATRE, THAILAND - CARTAGENA THEATRE FESTIVAL, TUNISIA



- THE FRENCH SENATE - MACAU AND LAS VEGAS CASINOS - ZURICH OPERA HOUSE, SWITZERLAND - UNIVERSAL STUDIOS, USA - RIO DE JANEIRO CITY THEATRE, BRAZIL - LONDON BARBICAN CONCERT HALL - CHINA CENTRAL TELEVISION (CCTV) - MONTREUX JAZZ FESTIVAL, SWITZERLAND - SAITAMA ARTS THEATRE, JAPAN - SEVILLE LA MAESTRANZA OPERA, SPAIN - MELBOURNE VICTORIA ARTS CENTER, AUSTRALIA - UNIVERSITY OF CALIFORNIA LOS ANGELES (UCLA) - TV ULANBATAR, MONGOLIA - PRAGUE NATIONAL THEATRE OPERA & BALLET, CZECH REPUBLIC - BANGKOK SIAM PARAGON, THAILAND - SÃO JOÃO NATIONAL THEATRE PORTO, PORTUGAL - AL-KASABA THEATRE AND CINEMATHEQUE, PALESTINE - NAGASAKI BRICK HALL - ROSKILE RAGNAROCK MUSEUM, DENMARK - SAN DIEGO OPERA HOUSE, USA - AC/DC TOUR - LONDON O2 DOME - TEATRO ARGENTINO DE LA PLATA, ARGENTINA - RATCHADA GRAND THEATRE, BANGKOK, THAILAND - CANADIAN OPERA COMPANY - DUBAI MALL - SANTA FE OPERA HOUSE, USA - TOKYO NEW NATIONAL THEATRE - ISTANBUL AKM OPERA AND BALLET HOUSE, TURKEY - SINGAPORE REPUBLIC POLYTECHNIC - GRAN TEATRO DE LA HAVANA, OPERA HOUSE, CUBA - ATHENS AND BEIJING OLYMPIC GAMES - HENAN TV - SAN FRANCISCO OPERA HOUSE - ROBBIE WILLIAMS - PRETORIA STATE THEATRE, SOUTH AFRICA - HANYANG UNIVERSITY, SEOUL, KOREA - EIFFEL TOWER BALLROOM, FRANCE - OXFORD PLAYHOUSE, UK - ZAGREB CROATIAN NATIONAL THEATRE - KUALA LUMPUR GENTING CASINO, MALAYSIA - MACAU VENETIAN ARENA - TEATRO NACIONAL RUBEN DARIO, MANAGUA, NICARAGUA - ELB PHILHARMONIE, GERMANY - MELBOURNE COMMONWEALTH GAMES - DOHA GULF CUP - MATSUMOTO PERFORMING ARTS CENTER



[www.robertyuliat.com](http://www.robertyuliat.com)

ROBERT JULIAT  
32, rue de Beaumont  
60530 Fresnoy-en-Thelle, FRANCE  
phone: +33 (0)3 44 26 51 89  
fax: +33 (0)3 44 26 90 79  
e-mail: [info@robertyuliat.fr](mailto:info@robertyuliat.fr)