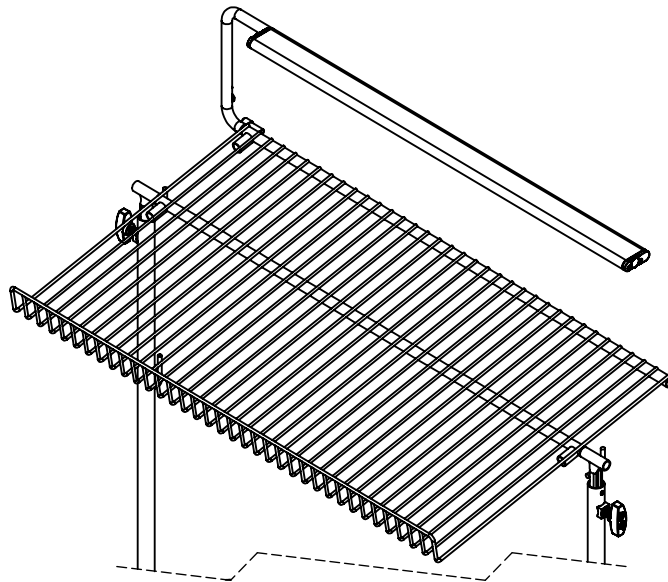
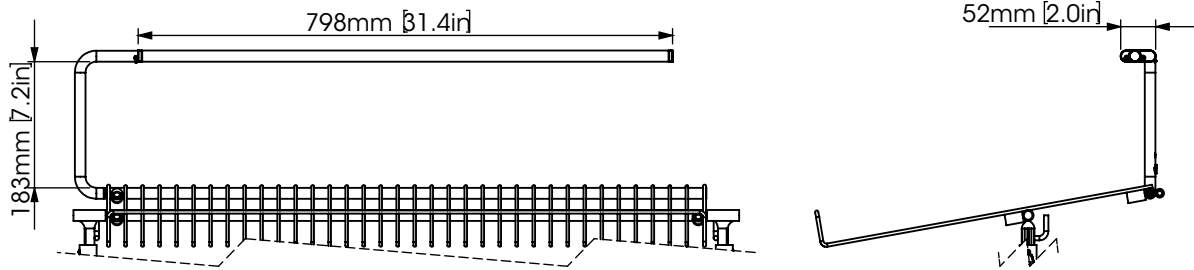

Trio4 Opera Conductor's Light

The industry's most advanced musicians light, the Trio4 LED Light gives more, better quality light and with greater control than any other music stand light on the market.



RATstands

Detailed Specification



Specifier's description

Music stand light for conductor's stands and pianos with rotating arm fitment specifically to fit the RATstands Opera Conductor's Stand. Slim aluminium housing, 16mm thick, containing 32 LEDs with a variable colour temperature between 2700K-4000K. Low voltage light which can be powered by battery or mains power in conjunction with the correct PSU. Provision to adjust the brightness and colour temperature on the light or is overridden by an appropriate PSU.

Construction	
Structural parts	Steel
Lamp housing	Aluminium
Cable type	Coiled cable with PU outer sheath
Electrical connector type	Customised 2-pin XLR

Dimensions	
Profile of lamp as seen by user: thickness	16mm [0.6in]
Profile of lamp as seen by user: width	798mm [31.4in]
Rotation of lamp housing	300°
Cable length (from base of stand)	1.8m [70.9in]
Weight	0.87kg [1.9lbs]

Optical characteristics	
Colour temperature	2700K-4000K
CRI	80CRI
Life of LEDs to 70% of initial output (L70)	60000hr
Light intensity at mid-point of an A4 score	1725lux
Luminous flux from LEDs	130lm

Electrical characteristics	
SELV (Safety extra low voltage)	YES
Operating voltage	18-28V
Electrical power consumption	10.2W
Circuit luminous efficacy	13lm/W

General	
Warranty	2 years
Part number	66Q09
IP rating	IP50
Applicable standards	EN55015, EN55035, EN60529, EN60598
Markings	CE