

Performer 3 Music Stand

The Performer 3 Stand is designed to be the toughest and most durable music stand on the market. This stand allows for musicians to enjoy the best in quality and design, at an affordable price, to support new heights of artistic performance.



RATstands
TEMPO RANGE

Product Features



The injection moulded tray is virtually unbreakable, and the honeycomb back adds great strength and stability. The Performer 3 tray is made of a polypropylene which does not 'ring' when knocked, preventing any unwanted noise. It has smoothly rounded edges all over, making it safe to handle, and kind to instruments. The quick release tray lever enables the music desk to be removed for storage. This also allows for the desk to be replaced with a clear plastic BioScreen panel (please see relevant data sheet).



An optional additional lip can be added to the tray to hold pencils and small instruments.



The tray can be adjusted easily and fully adjustable friction locks will automatically hold it at the desired angle. The screw at the top of the stem enables the stem friction to be altered, giving the musician full control of adjustment for when they are using a small folder of music, to a heavy library of scores.



The cable tidy on the back of the tray controls cables from LED Lights by neatly guiding them along the stem, and down to the base of the stand.



The steel stem is extremely strong and rigid, ensuring that this stand will not sway. Fully adjustable friction locks will automatically hold the stand at the desired height, without the requirement of adjusting any thumb screws or levers.



The base is made from tubular steel for strength and rigidity, without excess weight. This allows the stand to be used and moved around easily. Rubber feet preserve the floor and prevent clatter if the stand is knocked.

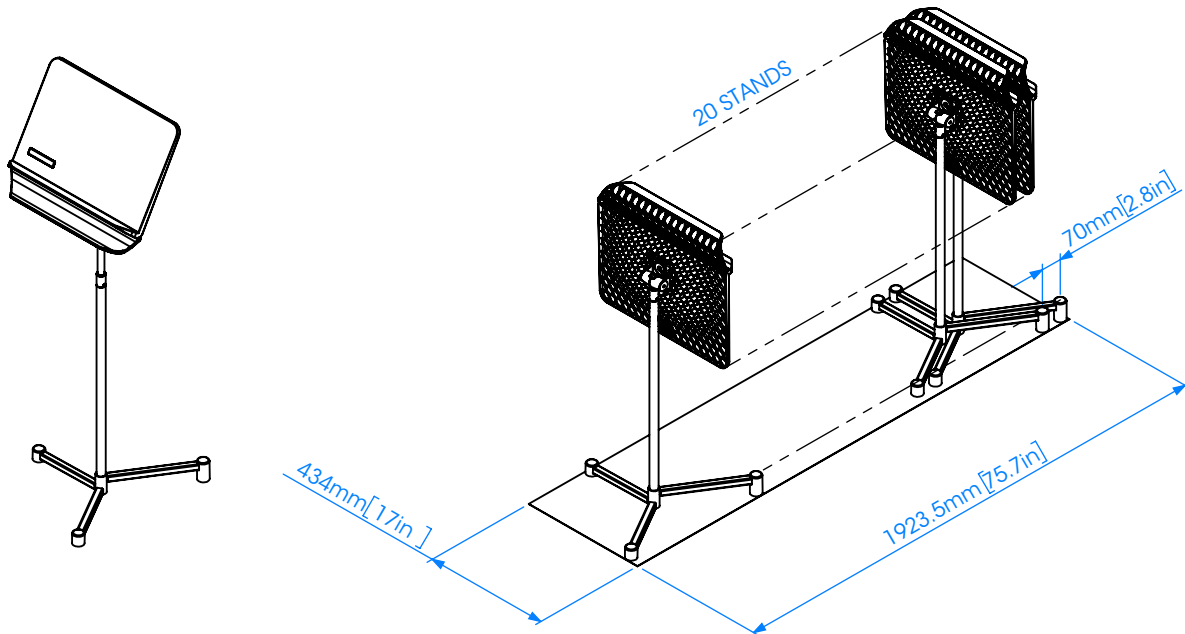
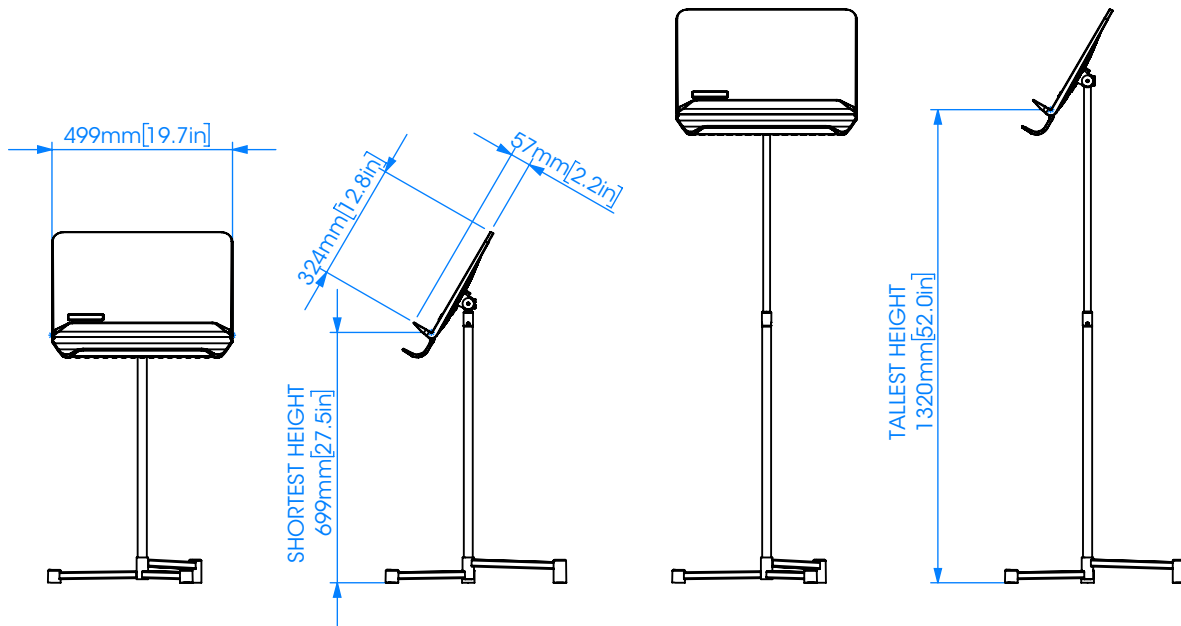


The design of the base enables the stands to nest for compact storage.



The Performer 3 Trolley is available, and can carry up to 18 stands. It has 2 fixed and 2 swivel castors for easy steering. (Please see relevant data sheet).

Detailed Specification



Detailed Specification

Specifier's description

Music stand with low profile base and solid tray. Stands can be nested on a flat floor without requiring a trolley. Rubber feet provide 3 point contact with the floor. Lever free locks for height and tray angle. Adjustable friction level for height and tray angle. Polypropylene tray which does not ring when knocked. Quick release tray lever enables an alternative clear plastic panel to be fitted, this converts the music stand into a protection screen.

Construction	
Structural parts	Steel
Feet	Rubber
Tray	Polypropylene
Coating	Black powder coat

Dimensions	
Tray width	499mm [19.6in]
Tray height (score area only)	324mm [12.8in]
Depth of tray lip	57mm [2.2in]
Maximum weight tray can hold	2.5kg [5.5lbs]
Lowest height to bottom of score	699mm [27.5in]
Tallest height to bottom of score	1320mm [52in]
Nesting pitch	70mm [2.8in]
Floor area occupied by 20 nested stands	1925 x 434mm [75.7 x 17in]
Storage height	905mm [35.6in]
Weight of stand	2.8kg [6.2lbs]

General	
Warranty	5 years
Part number	90Q2