
THE JAZZ STAND

A professional music stand with a full range of height adjustment, industry standard stability and a full size music tray with pencil shelf. And yet, as a result of its unique design it unfolds in three moves from a flat pack no larger than the size of the tray. It does this with no knobs, no finger traps and no hassle; just three easy moves. A supporting range of flight cases, trolleys, carry bags and lights ensure that this is the ultimate travelling stand, both for individual musicians and touring groups.



RATstands

1. When unfolded, The Jazz Stand is adjusted by raising or lowering it to the desired height and leaving it there. Its friction joints ensure that it stays at the right height.

2. The anodized aluminium stem is very strong, rigid and light. This stand doesn't sway, and yet can be adjusted smoothly and easily.

3. The injection-moulded tray is virtually unbreakable; if bent, it springs back. The tray is made of a polymer which does not "ring" when knocked. It has smoothly rounded edges all over – safe to handle and kind to your instruments.

4. The tray has an additional shelf for pencils and small instruments. Friction locks automatically hold the tray at whatever angle you set. There are no knobs to fiddle with or lose, and it will never go slack.

5. Diecast aluminium legs with supertough scratch-resistant epoxy coating give enormous strength with low weight. Rubber feet preserve your floor and prevent clatter if the stand is knocked.

6. Jazz Stands nest next to each other when standing.

7. The Jazz Stand can be unfolded with its base reversed to enable it to get right up to the chair of the player in front.

8. The Jazz Stand goes high enough for the trumpeter, yet low enough for the youngest cellist. The Jazz Stand's reversible legs enable it to be used as a portable conductor's stand.

9. When folded, Jazz Stands interlock to form an orderly pile.

Specification

Height measured from floor to lower edge of score adjustable between: 432 and 1207mm. (16" and 47")

Weight: 2.8kg (6lb 2oz)

Tray size excluding pencil shelf area: 503 x 323mm. (20" x 12½")

Size when folded:

503 x 380 x 50mm (20" x 15" x 2")

Product code:

The Jazz Stand

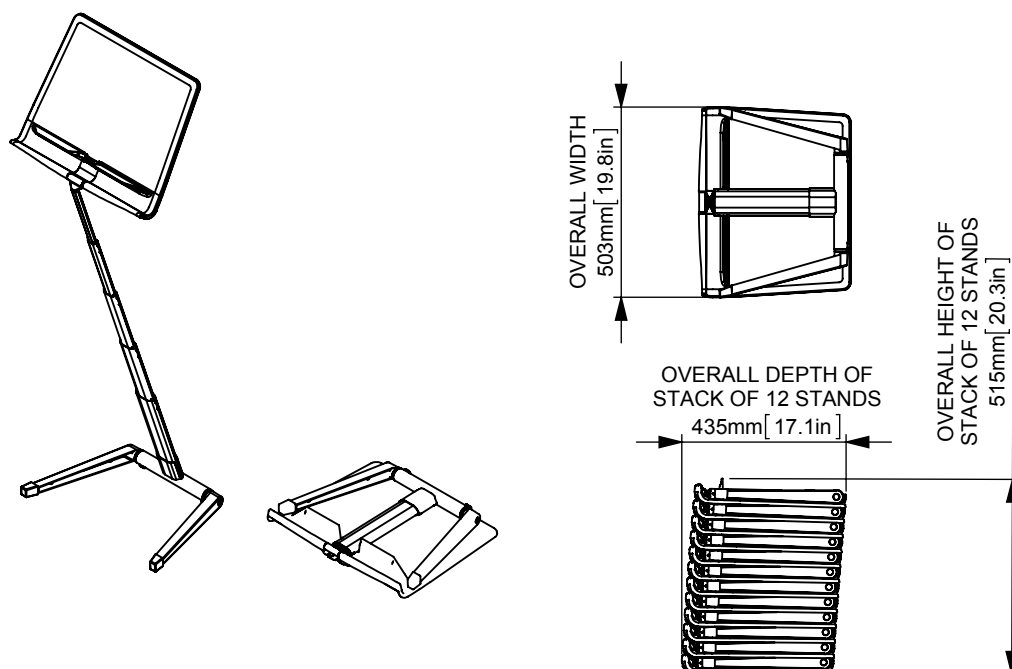
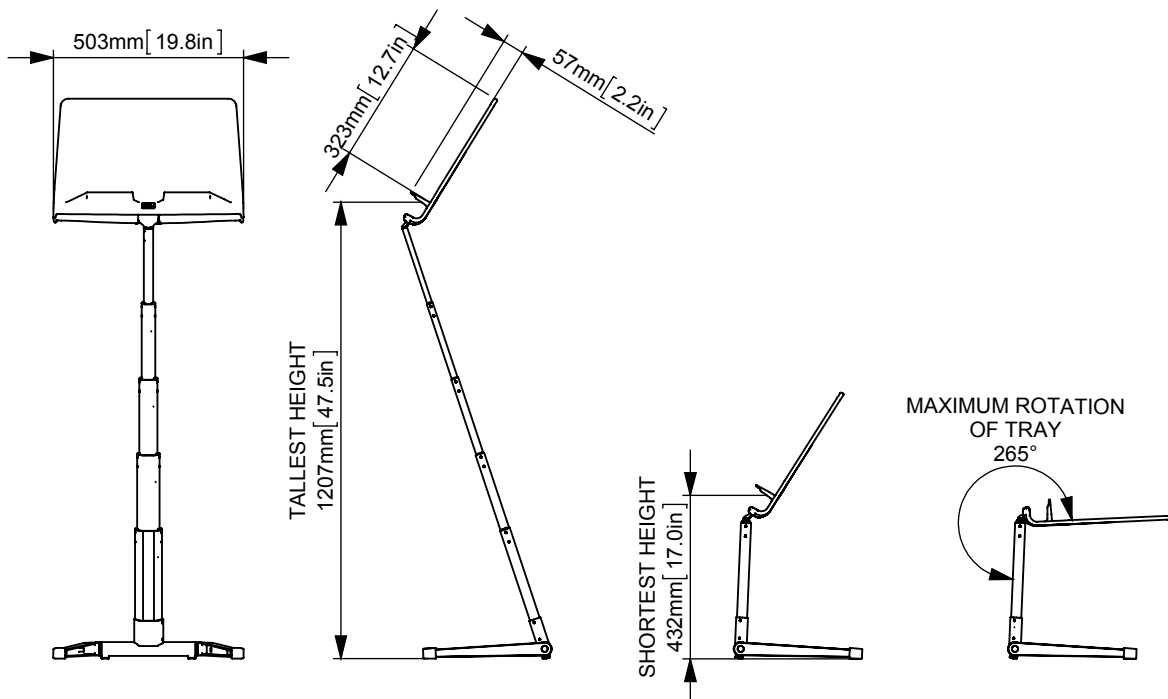
69Q13



THE JAZZ STAND

Detailed specification

RATstands



Specifier's description

A professional quality stand with a telescopic stem made from anodized aluminium. Stands can be nested on a flat floor, without requiring a trolley. Stands fold flat in three movements without dismantling. Folded stands interlock to form a neat pile. Base comprises of diecast aluminium legs with epoxy coating and

rubber feet. Provision to adjust the angle of the tray and the height of the stand without any adjusting screws or levers. Tray injection moulded in polypropylene which does not "ring" when knocked. Has additional lip for pencils and small instruments.

Construction	
Structural parts	Aluminium
Feet	Natural rubber
Tray	Polypropylene
Coating	Anodised aluminium

Dimensions	
Tray size	503 x 323mm [20.0 x 12.7in]
Depth of tray lip	57mm [2.2in]
Lowest height to bottom of score	432mm [17.0in]
Tallest height to bottom of score	1207mm [47.5in]
Nesting pitch	120mm [4.7in]
Floor area occupied by 20 stands	503 x 435 x 515mm [20 X 17 X 20in]
Weight of stand without lamp	2.7kg [5.1lb]

General	
Warranty	5 years
Applicable standards	
Part number	69Q13