
DOUBLE TRIO OPERA LIGHT

The Double Trio Opera Light is a double width version of the Trio Opera Light for use with The Opera Conductor's Stand.

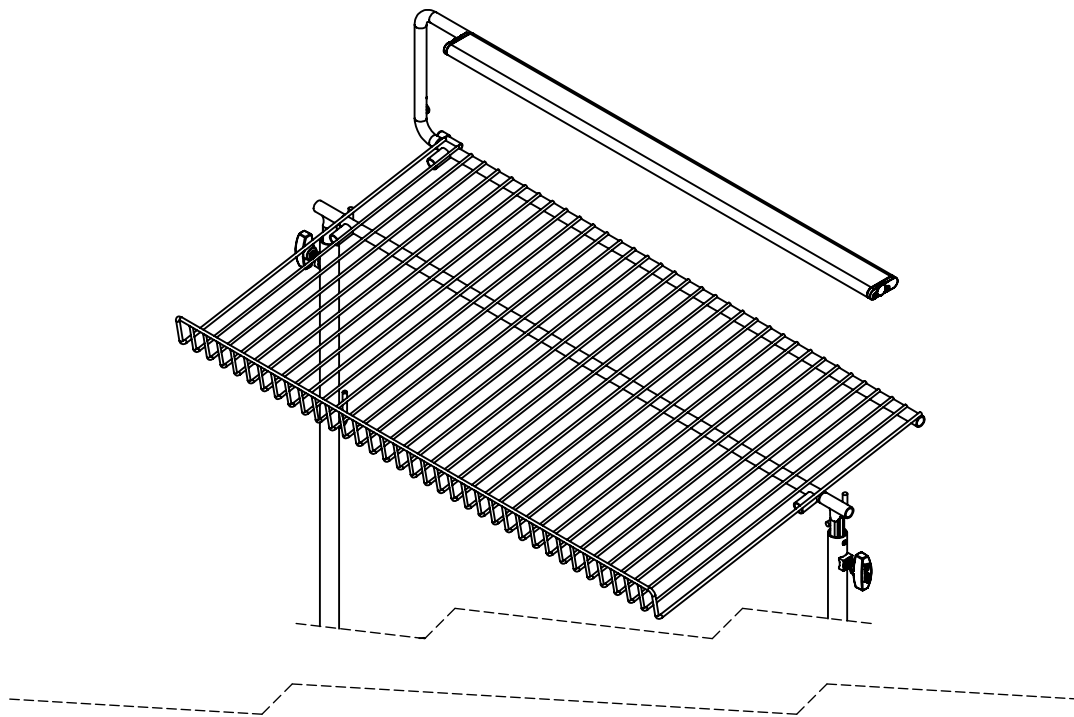
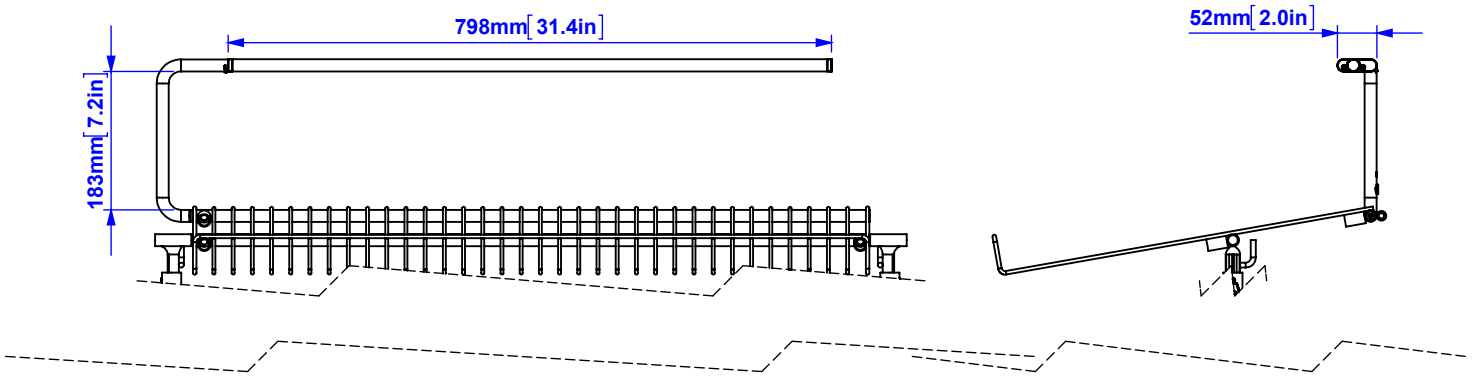


RATstands

DOUBLE TRIO OPERA LIGHT

Detailed specification

RATstands



DOUBLE TRIO OPERA LIGHT

Detailed specification

RATstands

Specifier's description

Integral light for The Opera Conductor's Stand. Double width slim aluminium housing, 16mm thick, containing 64 LEDs with a variable colour temperature between 2700-4000K. Low voltage light which can be powered by battery or mains power in

conjunction with the correct PSU. Provision to adjust brightness and colour temperature on the light or is overridden remotely by an appropriate PSU.

Construction	
Structural parts	Steel
Lamp housing	Extruded aluminium
cable type	Coiled cable with polyurethane outer sheath
electrical connector type	Customised 2-pin XLR

Dimensions	
Profile of lamp as seen by user: thickness	16mm [0.6in]
Profile of lamp as seen by user: width	798mm [31.4in]
Rotation of lamp housing	300°

Optical characteristics	
Colour temperature	2700-4000K

Electrical characteristics	
SELV (Safety extra low voltage)	YES
Class II insulation (double insulated)	NO
Operating voltage	18-28V

General	
Commercial use warranty	2 years
Applicable standards	EN55022 EN60598 EN60529
IP rating	IP32
RATstands part number	73Q60