
THE OPERA CHAIR

A chair for professional musicians, giving excellent lumbar support and with adjustable seat angle. Optional adjustable legs enable the angle of the backrest and height of the chair to be adjusted as well. A near vertical stack and small stacking pitch enable the chair to be stacked on a flat floor without the need for a trolley.



RATstands

1. The seat and back profiles are designed to provide the optimum seating position for musicians. The back provides support in the upper lumbar region encouraging an upright posture, whilst the horizontal seat with downturned front edge enables the musician to keep his feet flat on the floor. The highest quality foam provides firm but comfortable support for hours on end.

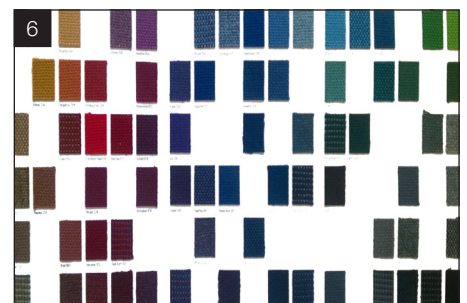
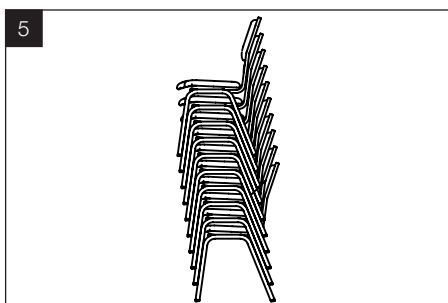
2. The narrow back provides support where it is needed without hindering the musician's arms, shoulders and rib cage. The upholstery is protected by the frame at the point where it is typically subjected to its greatest wear.

3. As an option, the angle of the seat can be adjusted. This is particularly useful for those who like to perch on the front edge of the seat, and those who like to lean against the back in a less upright position.

4. Adjustable legs are available as a further option. This enables height, seat angle and back angle to be independently adjusted. It also enables the chair to stand level on a sideways sloping floor such as a raked stage. Chairs with adjustable and non-adjustable legs can be mixed in the same stack.

5. Opera chairs can be stacked in a near vertical stack, on a flat floor. No storage cart is required for this, but a trolley is available to assist in moving large stacks of chairs. Different sizes and variants of the chair can be mixed in a stack.

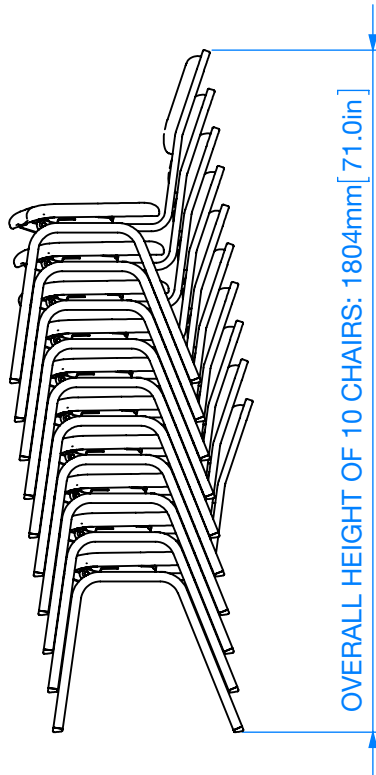
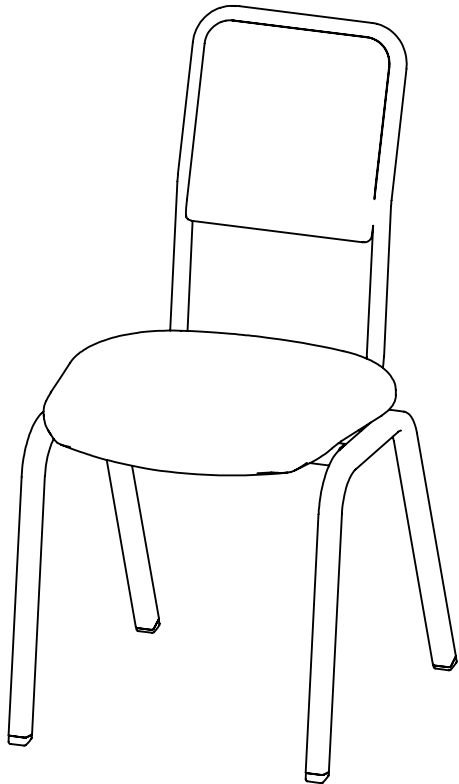
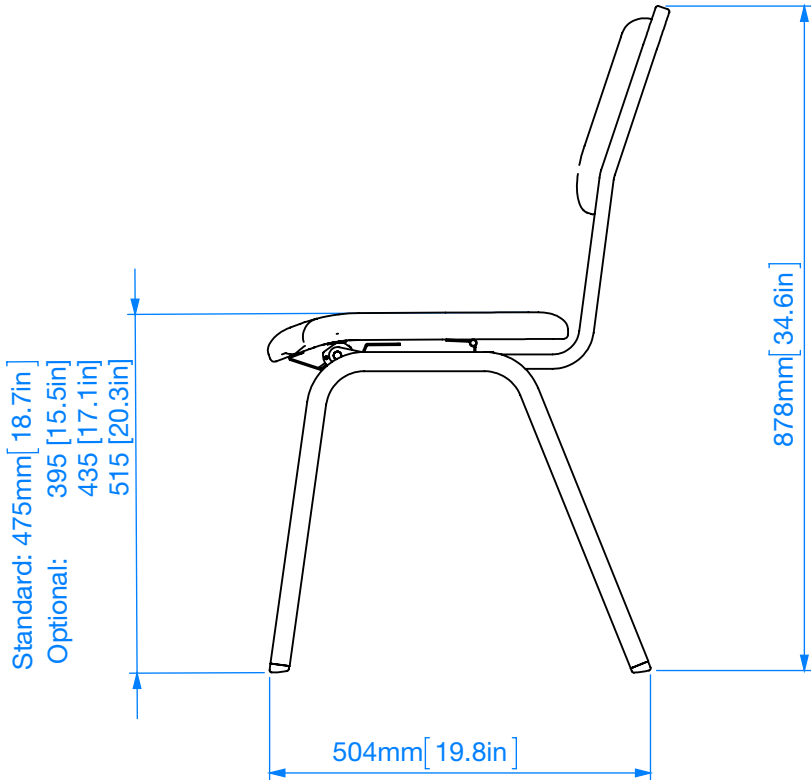
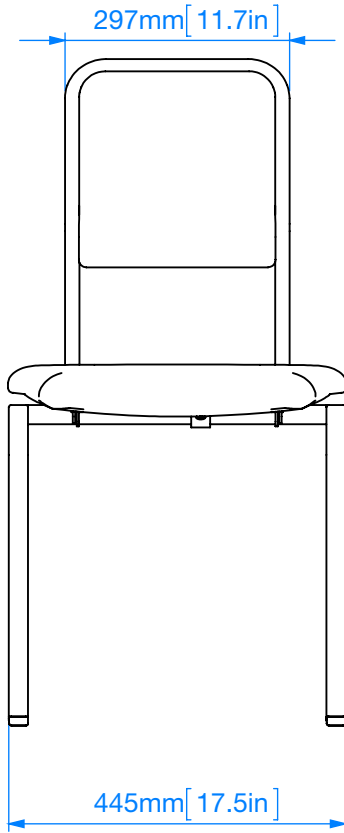
6. The very sturdy chair frame is coated in textured epoxy. A vast range of fabric types and colours is available.



THE OPERA CHAIR

Detailed specification

RATstands



THE OPERA CHAIR

Detailed specification

RATstands

Specifier's description

Heavy duty musician's chair with adjustable seat angle and independently adjustable legs. Stands can be stacked up to 10 high on a flat floor, without loss of stability.

Construction	
Structural parts	Steel
Feet	HDPE
Seat and back	Plywood
Coating	Textured epoxy/polyester
Dimensions	
Overall depth	504mm [19.8in]
Overall width	445mm [17.5in]
Overall height (standard model)	878mm [34.6in]
Seat height	Standard: 475mm [18.7in] Optional: 395mm [15.5in] 435mm [17.1in] 515mm [20.3in]
Stacking pitch	110mm [4.4in]
Floor area occupied by 20 stands	1620 x 430mm [64 X 17in]
Weight	With adjustable seat: 6.8kg [15lb]
General	
Warranty	5 years
Applicable standards	
Part number	Non adjustable: 301Q48 Adjustable seat angle: 302Q48 Adjustable seat and legs: 303Q48