



TECHNICAL DATA

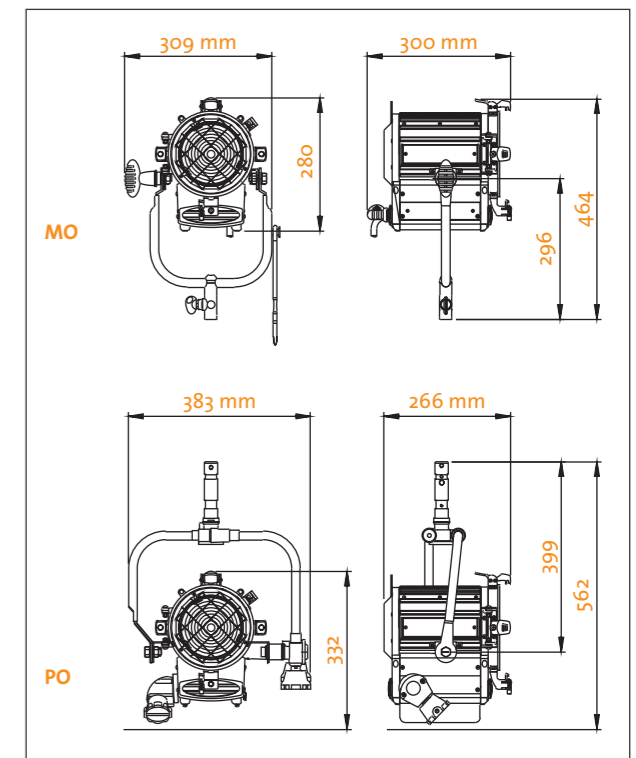
LIGHT SOURCE	Array LEDs
MAX POWER	90W
CORRELATED COLOR TEMPERATURE	Fixed 3200K–5600K
CRI	>90
BEAM ANGLE	21°–68°
LENS DIAMETER	130 mm
POWER SUPPLY	90–260 Vac, 50/60 Hz, autosensing
POWER FACTOR (cosφ)	0,97
WATERPROOF RATING	IP20
OPERATIONAL TEMPERATURE (Ta)	0°–40°
DIMMING	Electronic 16 bit, fully 0–100%
CONTROL	Local via potentiometer and remote via DMX-RDM Setting, addressing and testing via control panel and via RDM
CONNECTIONS	DMX In and Through 5-Pin XLR
FEATURES	Internal temperature sensor, LCD graphic display with switch off function, silent fan, 3 presetting fan speed
MOUNTING	Manual and Pole Operated stirrup

OPERATIONAL DATA

	STUDIO LED X3 MO	STUDIO LED X3 PO
Weight (head)	5,300 Kg	6,400 Kg
Barndoor weight	0,650 Kg	0,650 Kg
Gel frame weight	0,140 Kg	0,140 Kg
Lens diameter	130 mm	130 mm
Barndoor diameter	200 mm	200 mm
Accessory base diameter	202 mm	202 mm

ORDERING CODES

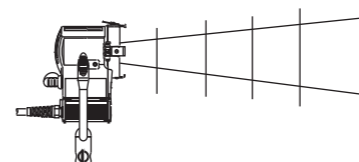
LD27642T	STUDIO LED X3 90W CCT TUNGSTEN PO
LD27642D	STUDIO LED X3 90W CCT DAYLIGHT PO
LD27640T	STUDIO LED X3 90W CCT TUNGSTEN MO
LD27640D	STUDIO LED X3 90W CCT DAYLIGHT MO



QUARTZCOLOR

QUARTZCOLOR is a COSMOLIGHT BRAND

PHOTOMETRIC DATA



Typical performance based on 3200K

Distance (m)	3	4	5	7	9
SPOT 21°	2060	1159	742	378	229
FLOOD 68°	590	332	212	108	66

Typical performance based on 5600K

Distance (m)	3	4	5	7	9
SPOT 21°	2260	1271	814	415	251
FLOOD 68°	645	363	232	118	72