



# OPERATING & ASSEMBLY INSTRUCTION

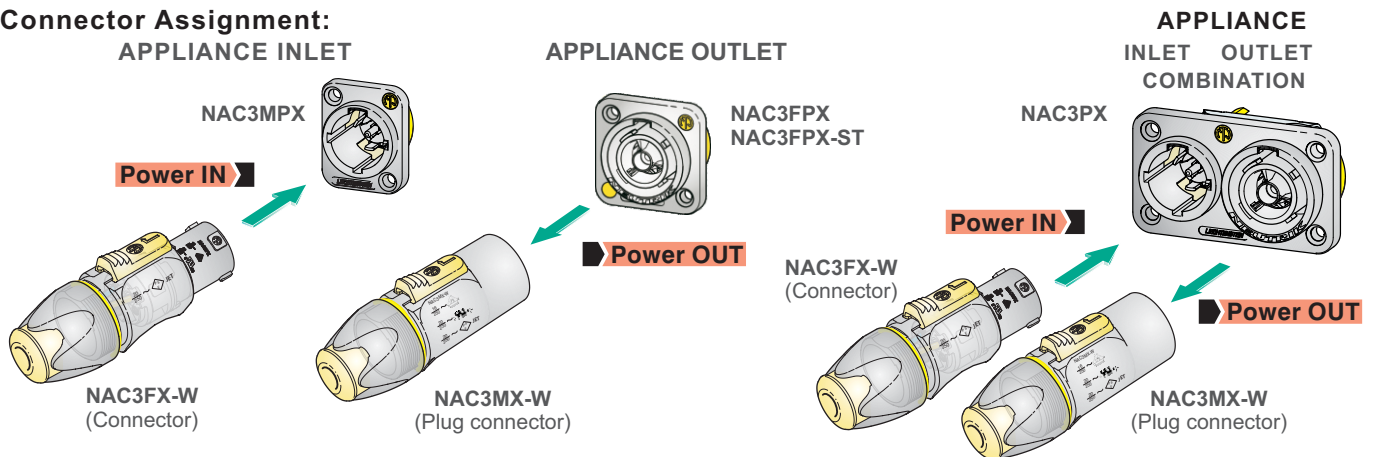
## NAC3FX-W | powerCON TRUE1

### A. OPERATING INSTRUCTION

#### Application:

The powerCON TRUE1 system is certified as connector with breaking capacity according IEC 60320, VDE 0625. It is intended for use as appliance couplers and interconnection couplers. It serves to supply power to an appliance and from an appliance to another equipment. To be installed by qualified person only.

#### Connector Assignment:

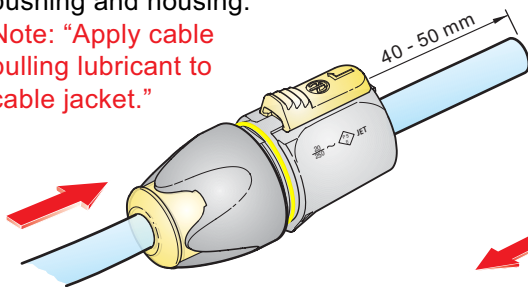


<b>Approval based:</b>	<b>VDE</b> EN 60320-1/EN60320-2	<b>UL</b> UL 498 / CSA C22.2 No. 182.3
<b>Rating:</b>	250 V ac / 16 A	250 V ac / 20 A
<b>Cable Type:</b>	H05VV-F3G 1.0 mm <sup>2</sup> , Length max. 2 m H05VV-F3G 1.5 - 2.5 mm <sup>2</sup> H07RN-F3G 1.5 mm <sup>2</sup>	SJTOW, SJOOW 3 x 12 AWG
<b>Strain Relief:</b>	White chuck	White chuck
<b>Cable O.D.:</b>	6.0 - 12.0 mm	6.0 - 12.0 mm

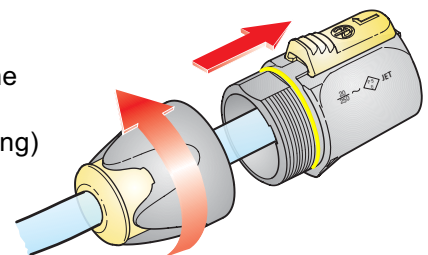
### B. ASSEMBLY INSTRUCTION

- A** Insert cable into the bushing and housing.

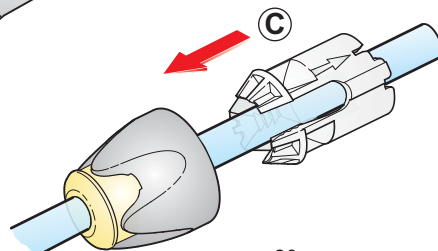
Note: "Apply cable pulling lubricant to cable jacket."



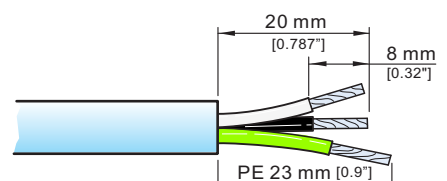
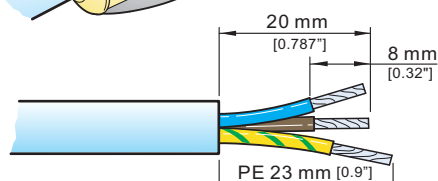
- B** Separate the housing from the bushing (cable remain in bushing)



- C** Place chuck over the cable.

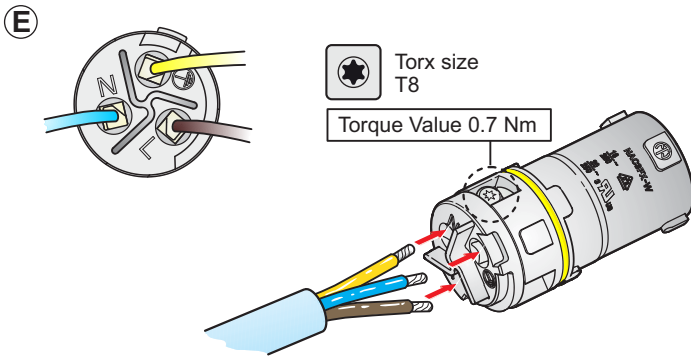


- D** Prepare cable as shown.



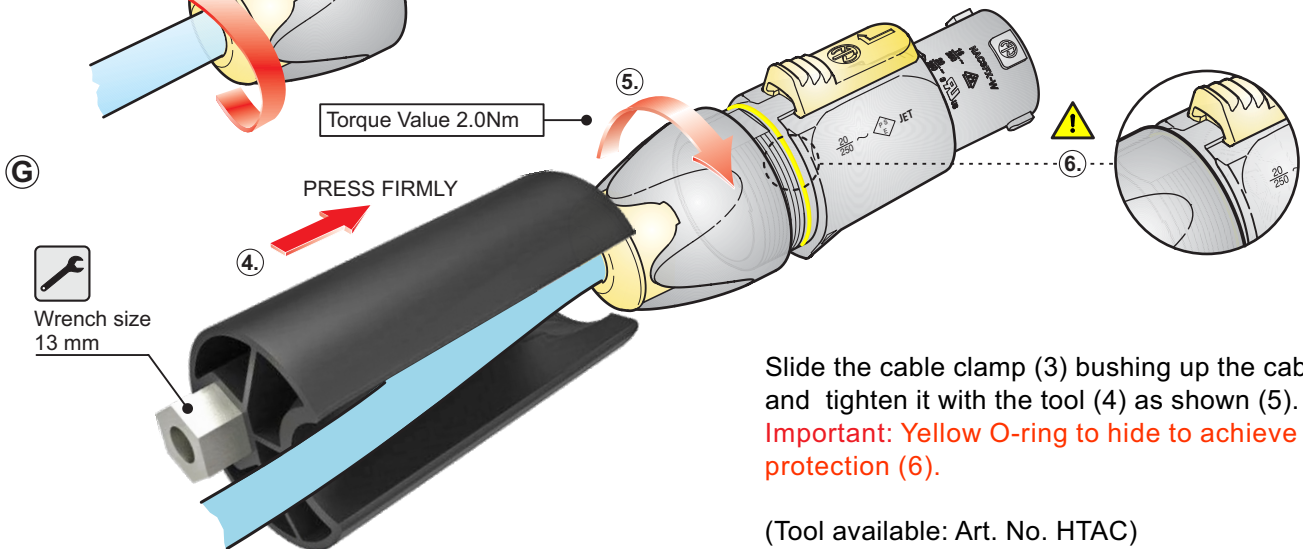
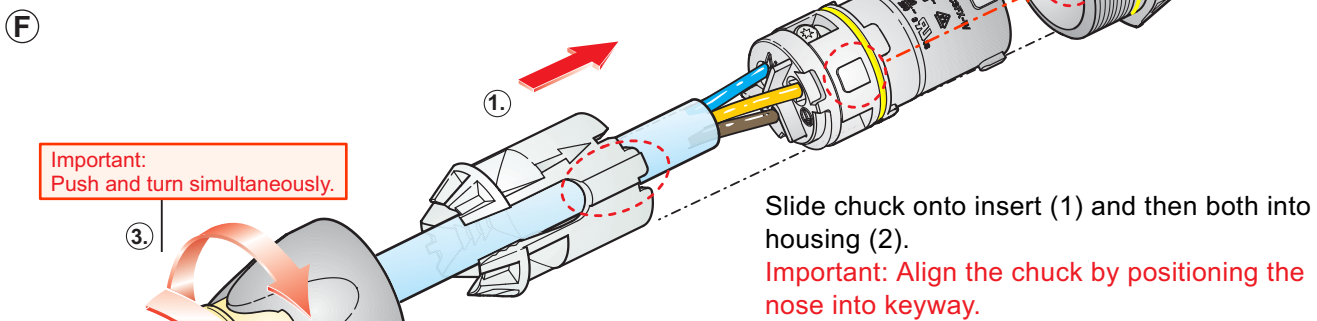
**VDE** (EN 60320-1/EN60320-2-2)

**UL** (UL 498 / CSA C22.2 No. 182.3)



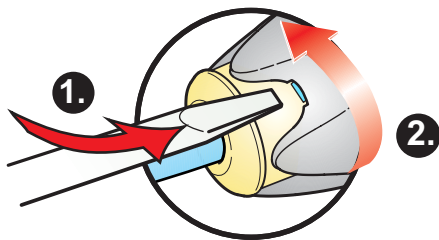
Slide the cable into the contacts and clamp with the screw with Torx size T8.

Wiring	VDE	UL
L ⇒	brown	black
N ⇒	blue	white
⊥ ⇒	green/yellow	green

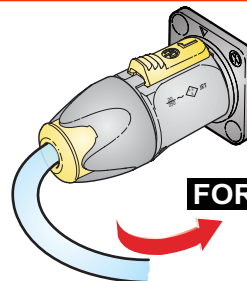


**FOR DISASSEMBLY - OPEN TWIST LOCK!**

- Press with screw driver to unlock
- Turn bushing while still press the locking.



**CAUTION**



To ensure protection category, do not expose the connection to bending forces (e.g. do not attach loads to the cable, no free-dangling cable windings etc.).



**SAFETY WARNING**

For safety and certification reasons the connector must be replaced in case of any broken parts or serious damage.

NEUTRIK AG LI T: +423/237 24 24 F: +423/232 53 93  
 NEUTRIK USA Inc. USA T: +1 704/972 3050 F: +1 704/438 9202  
 NEUTRIK (UK) Ltd. UK T: +44 1983/811 441 F: +44 1983/811 439  
 NEUTRIK Vertriebs GmbH DE/NL/AT/DK T: +49 8131/280 890 F: +49 8131/280 830

NEUTRIK France FR T: +33 1/4131 6750 F: +33 1/4131 0511  
 NEUTRIK Tokyo Ltd. JP T: +81 3/3663 4733 F: +81 3/3663 4796  
 NEUTRIK Hong Kong Ltd. HK T: +852/2687 6055 F: +852/2687 6052  
 NEUTRIK India Pvt. Ltd. IND T: +91/982 05 43 424 F: +91/22 26163 540