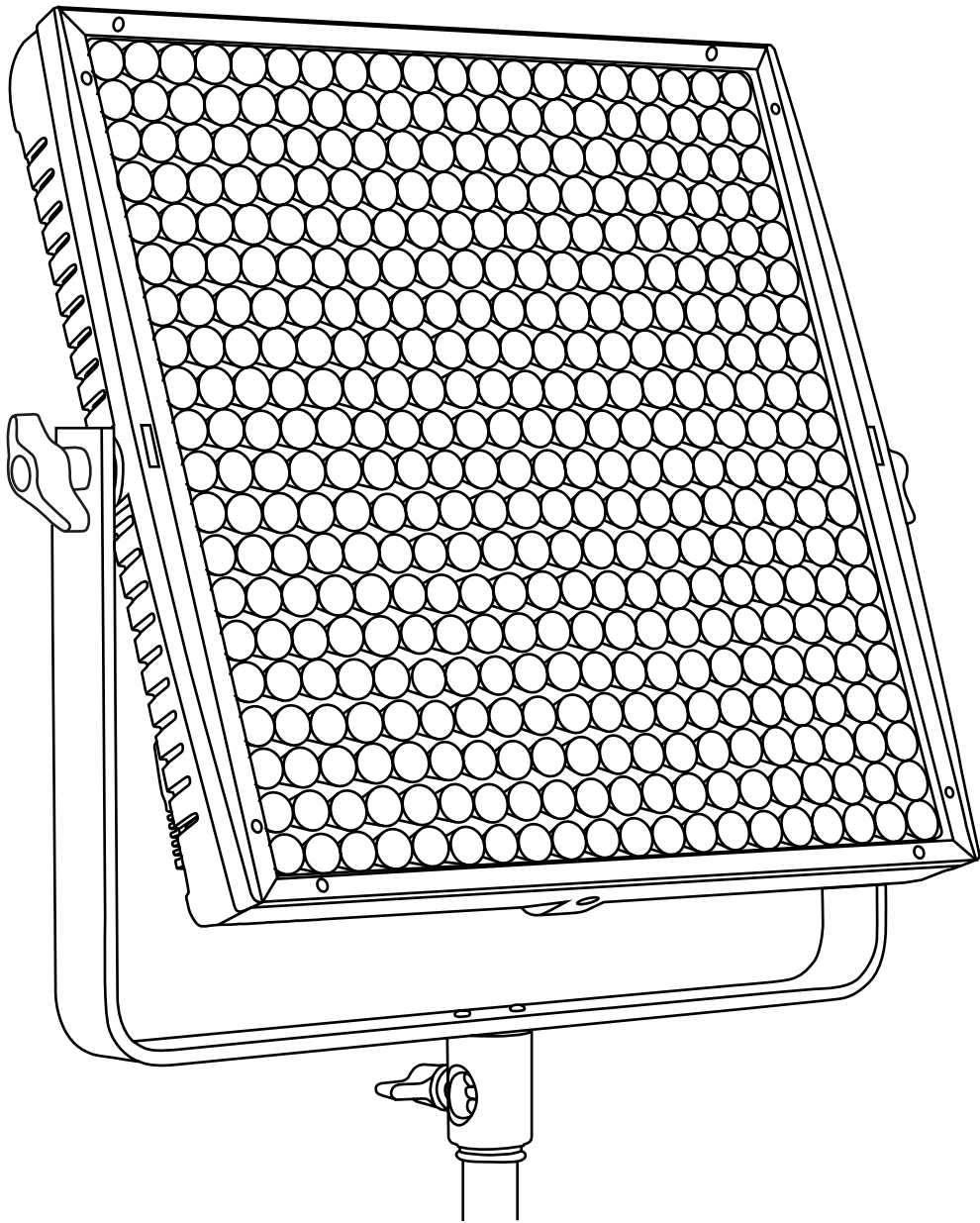


Lupo
Made in Italy



Cod 800

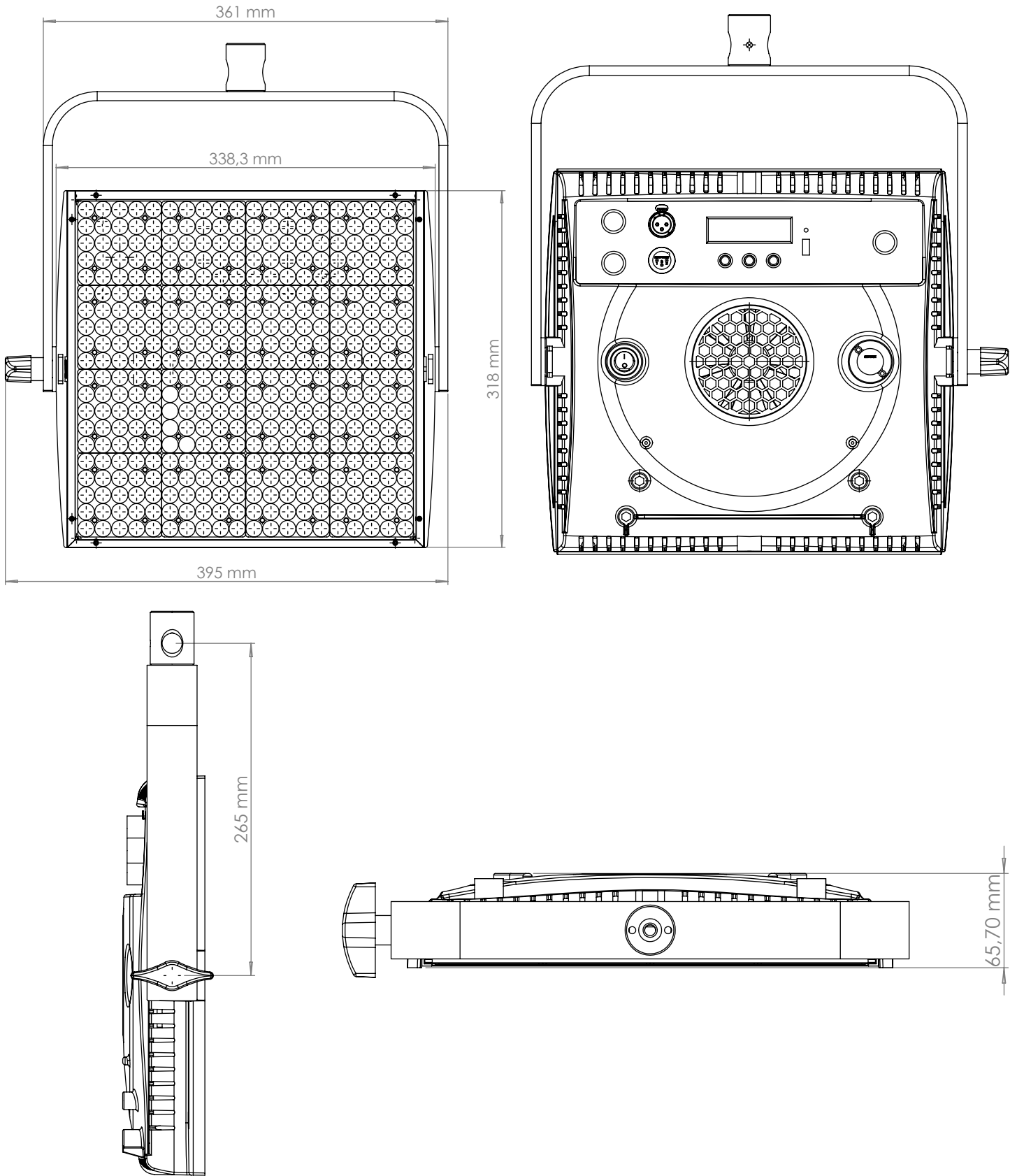
**Ultrapanel Dual
Color 30 Hard**

Technical Data

Dimensions (cm)	338 x 318 x 66 mm
Dimensions (in)	13.3 x 12.5 x 2.5 in
Weight (kg)	3,7 kg
Weight (lb)	8.1 lb
CRI (Colour Rendering Index)	95
TLCI (Television Lighting Consistency Index)	96
Estimated LED lifetime (L80)	50,000 hours
Dimmer 0 - 100	included
Dimming curves mode	Linear, Exponential, Logarithmic
DMX module	included
DMX (bit)	8 bit / 16 bit
Connection for 14.8 V battery with standard XLR 4 pin connector (pin 1: negative / pin 4: positive)	included
Standard XLR 5 pin connectors to DMX console	included
Watt consumption	200 W
Watt output (equivalent to tungsten)	4000 W
Firmware upgrades	through USB port
Colour temperature	2800 K - 6500 K
Voltage AC	90 V - 240 V
Voltage DC	14.8 V
Light beam	40°
Frequency (input)	50 / 60 Hz
Compliance	CE
Remote control	Bluetooth Long Range / DMX / RDM
Ambient temperature	Max: + 45°C / Min: - 10°C
Power factor	0.9

Photometric data	6500 K	5600 K	3200 K
Distance			
Lux at 1 m - 3.2 ft	73000	72000	65000
Lux at 2 m - 6.5 ft	19600	19400	17500
Lux at 3 m - 9.8 ft	8600	8600	7900
Lux at 4 m - 13.1 ft	4950	4900	4550
Lux at 5 m - 16.4 ft	3200	3200	3000

Technical Drawing



Lupo
Made in Italy

Lupo srl - Via V. Sassi 28 Collegno (TO) - 10093 - Italy
Phone: +39 011 411 9919 / e-mail: contact@lupo.it
website: www.lupo.it