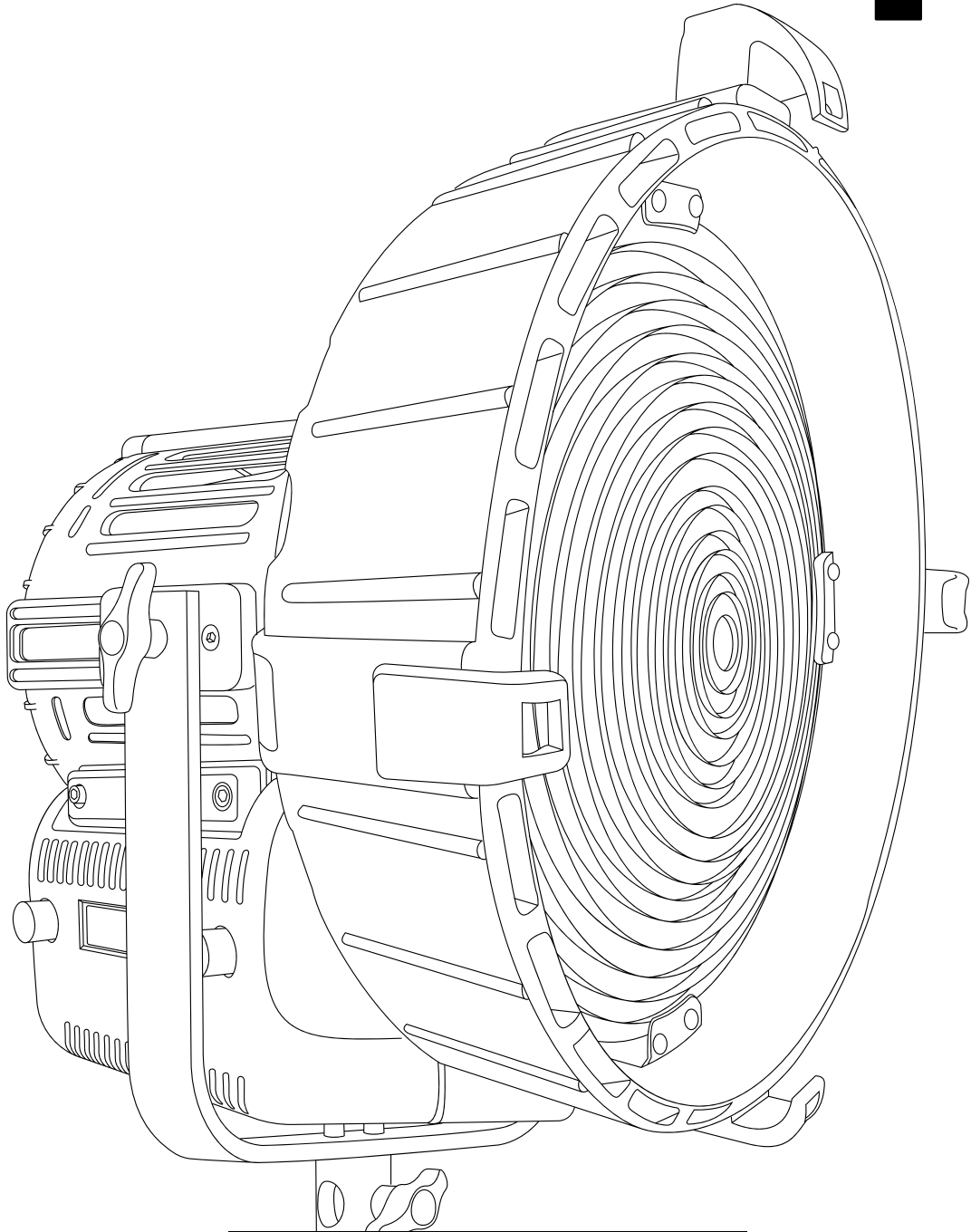


Lupo
Made in Italy



Cod 312 D PRO

**DayledPRO 5000
5600 K**

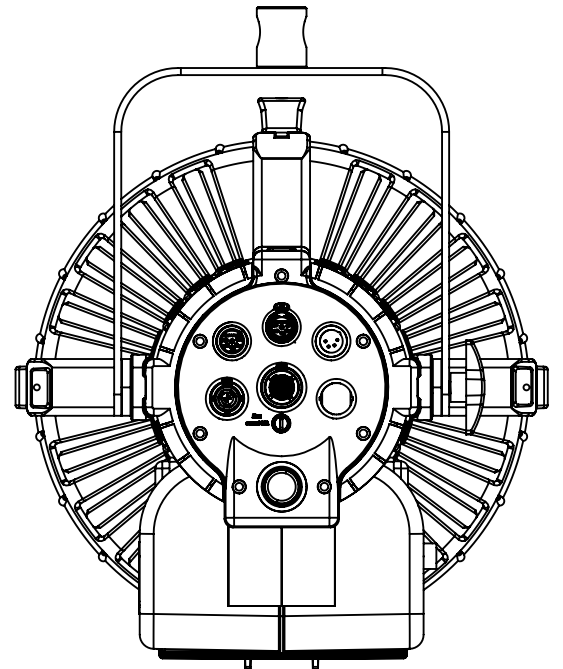
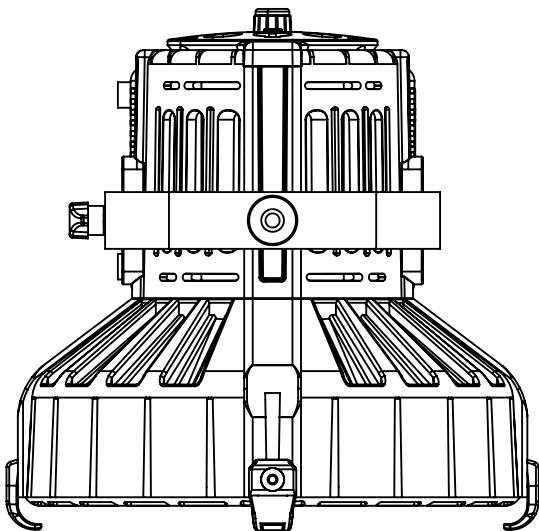
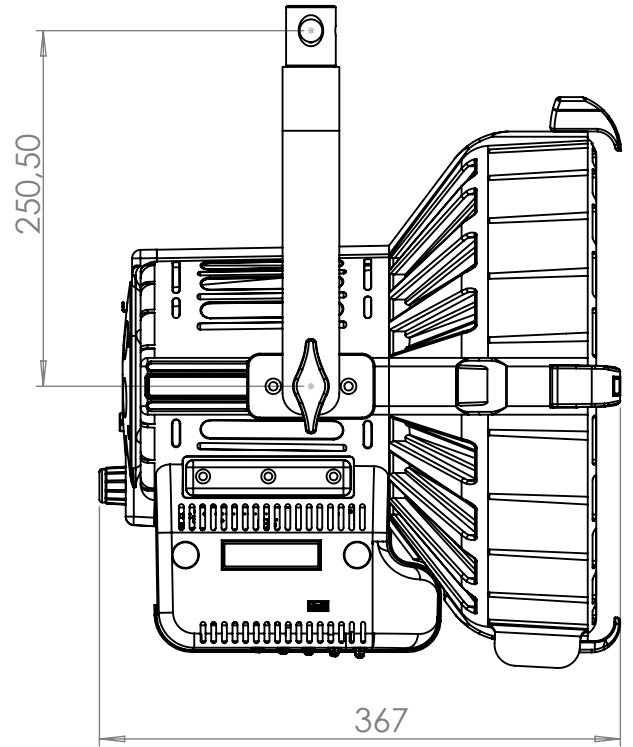
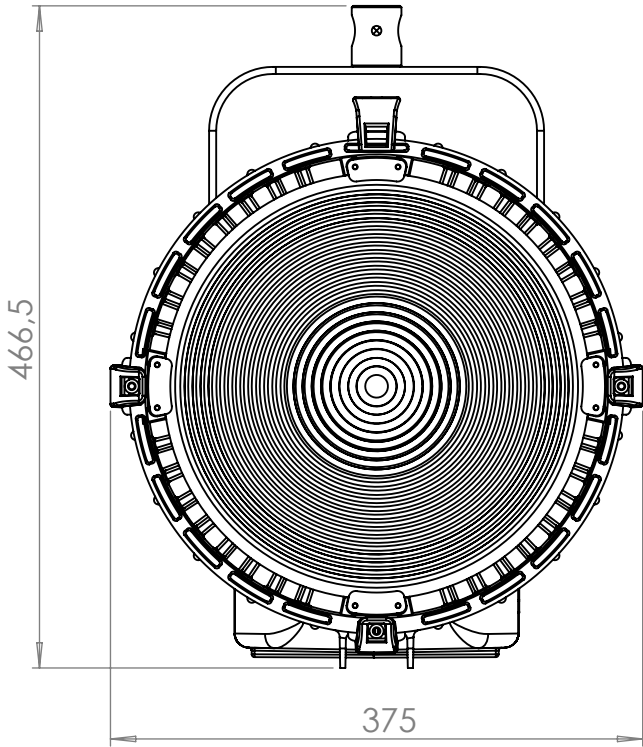
Technical Data

Dimensions (mm)	466,5 x 375 x 367 mm
Dimensions (in)	18.3 x 14.7 x 14.4 in
Weight (kg)	8 kg
Weight (lb)	17.6 lb
CRI (Colour Rendering Index)	96
TLCI (Television Lighting Consistency Index)	99
Estimated LED lifetime (L80)	50,000 hours
LED COB	500 W
Dimmer 0 - 100	included
Dimming curves mode	Linear, Exponential, Logarithmic
Connection for 14.8 V battery with standard XLR 4 pin connector (pin 1: negative / pin 4: positive)	included
Standard XLR 5 pin connectors to DMX console	included
Watt consumption	380 W
Fresnel lens	300 mm
Firmware upgrades	through USB port
Colour temperature	5600 K - daylight balanced
Voltage AC	90 V - 240 V
Light beam	10° - 55°
Frequency (input)	50 / 60 Hz
Compliance	CE
Remote control	Bluetooth Long Range / DMX / RDM
Ambient temperature	Max: + 45°C / Min: - 10°C
Power Factor	0.96

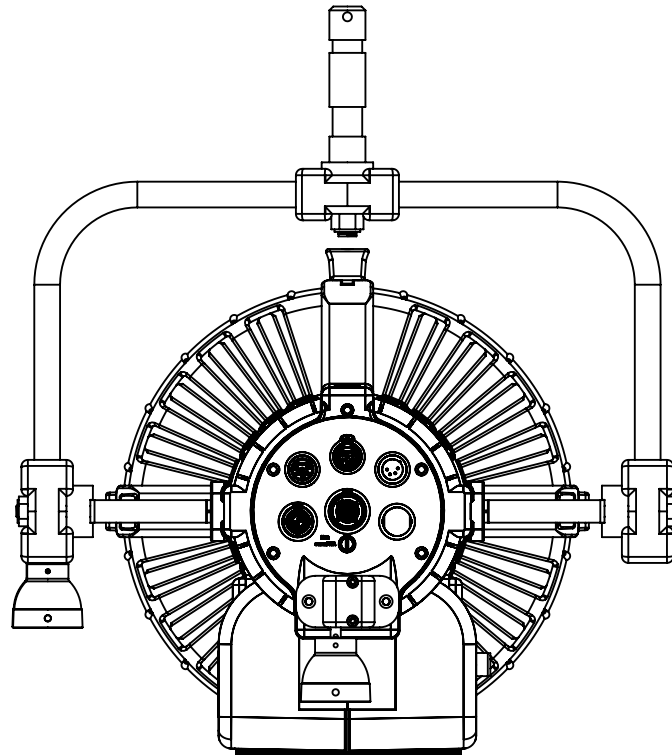
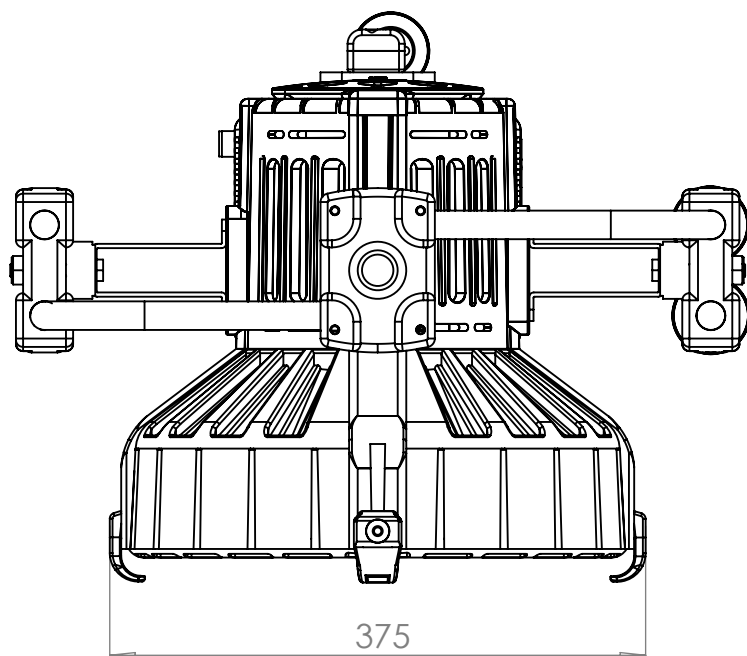
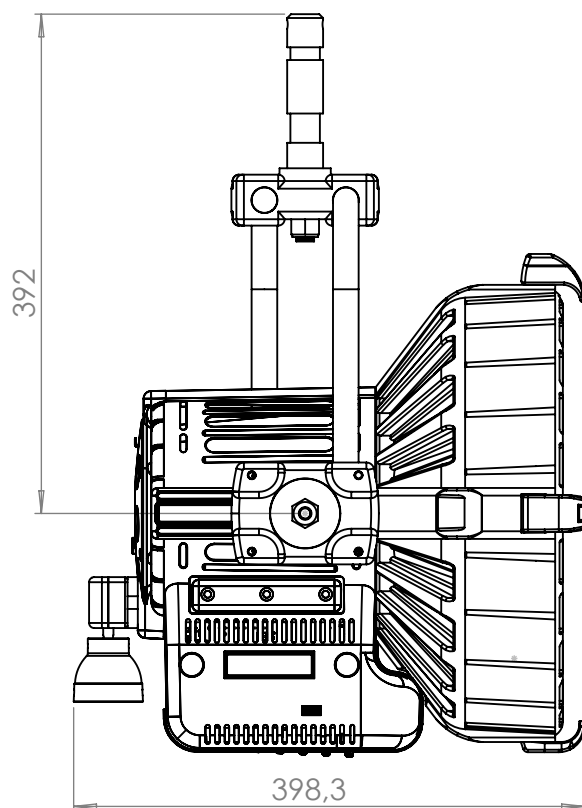
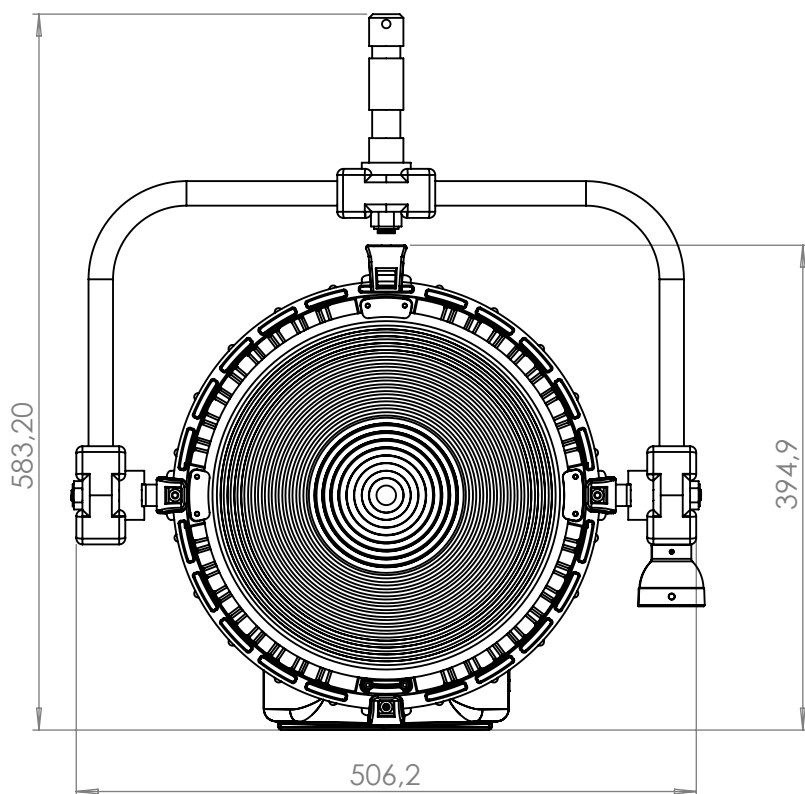
Photometric data

Distance	5600 K	
	spot	flood
Lux at 1 m - 3.2 ft	-	-
Lux at 2 m - 6.5 ft	54000	8500
Lux at 3 m - 9.8 ft	24500	3900
Lux at 4 m - 13.1 ft	13500	2230
Lux at 5 m - 16.4 ft	8700	1420
Lux at 10 m - 38.8 ft	2200	410

Technical Drawing



Pole operated yoke



Lupo
Made in Italy

Lupo srl - Via V. Sassi 28 Collegno (TO) - 10093 - Italy
Phone: +39 011 411 9919 / e-mail: contact@lupo.it
website: www.lupo.it