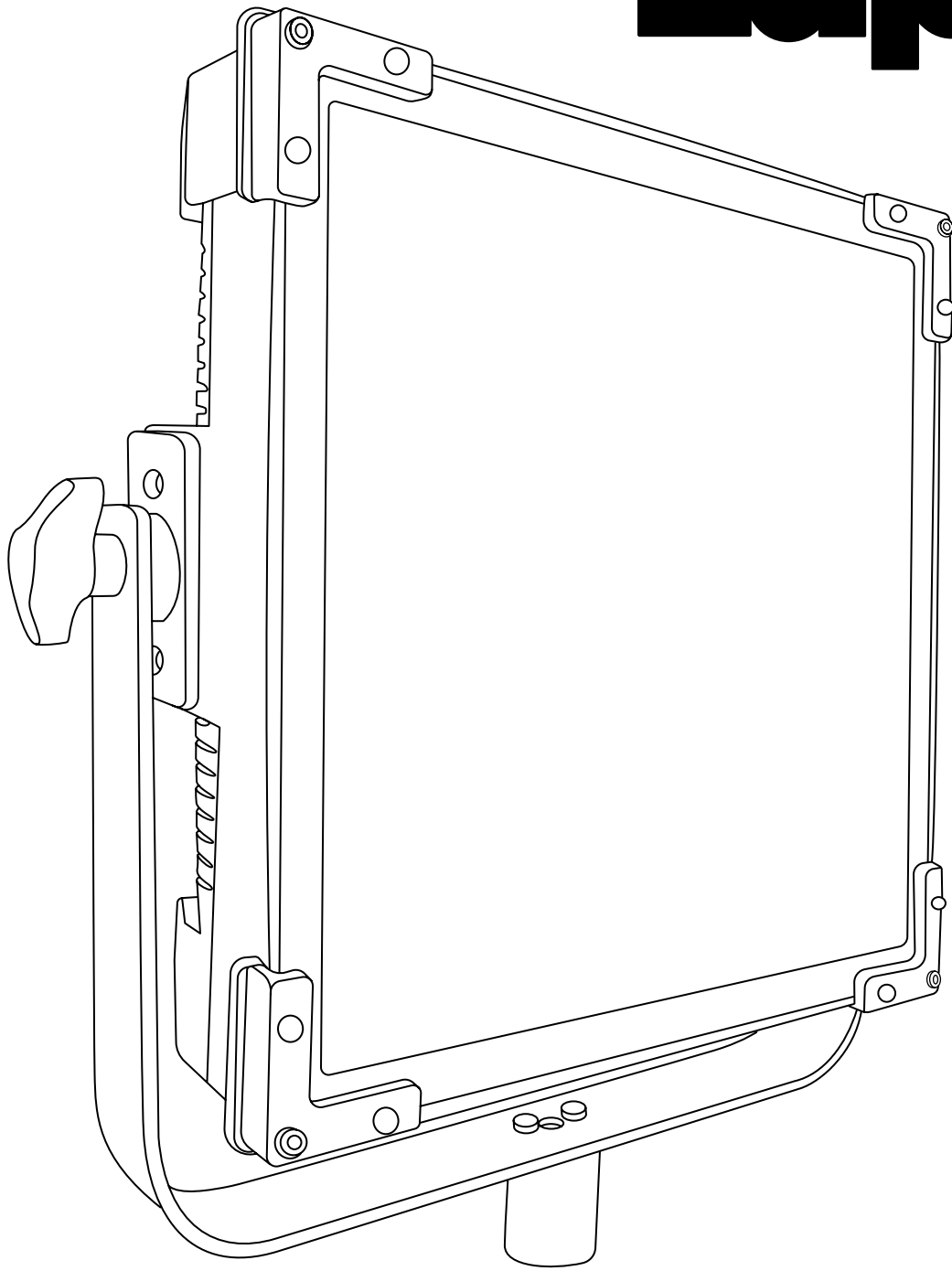


**Lupo**  
Made in Italy



Cod 500PRO

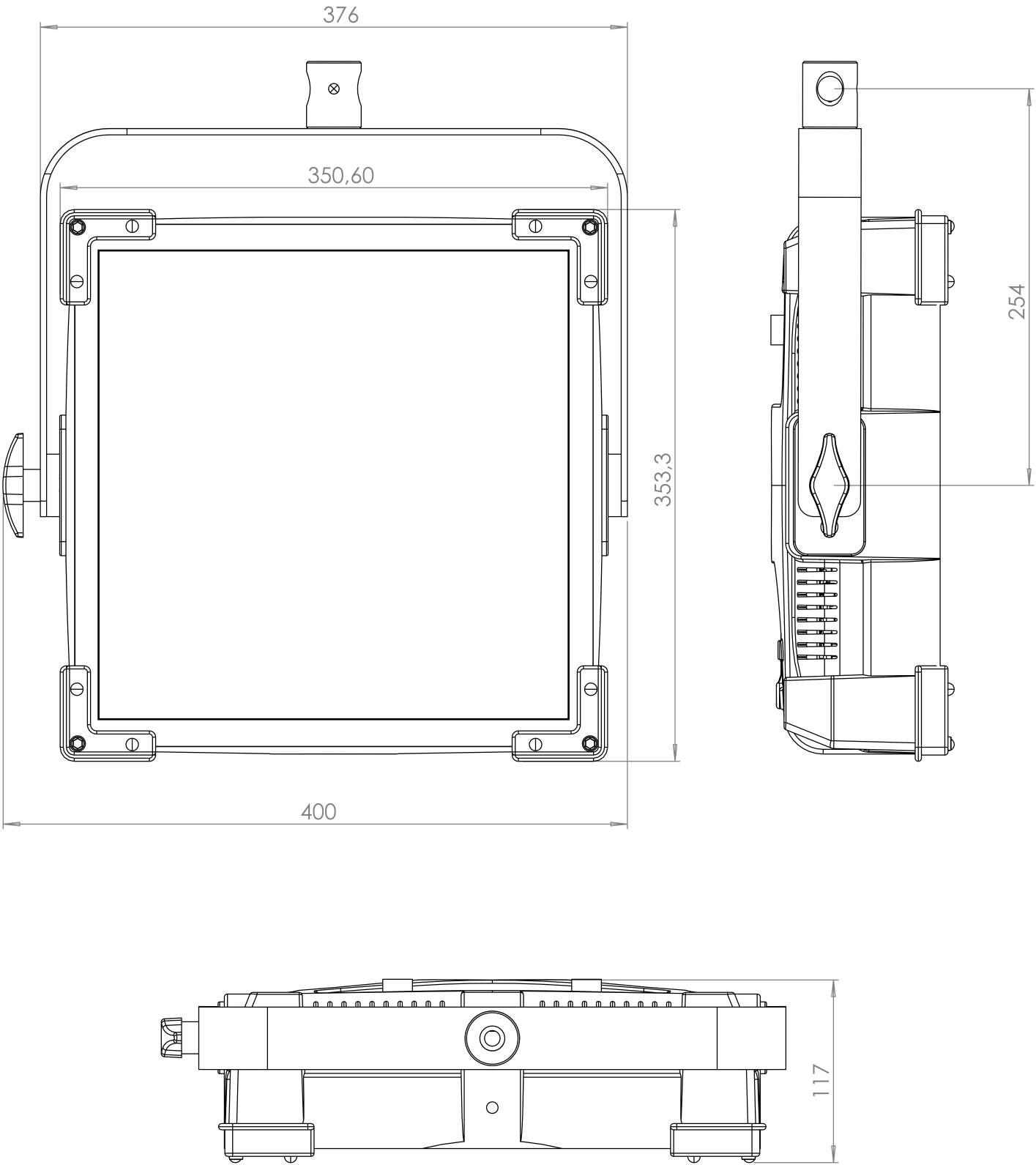
# HyperpanelPRO Dual Color 30 Soft

## Technical Data

Dimensions (cm)	350 x 353 x 117 mm
Dimensions (in)	13.7 x 13.8 x 4.6 in
Weight (kg)	4,9 Kg
Weight (lb)	10.8 lb
CRI (Colour Rendering Index)	95
TLCI (Television Lighting Consistency Index)	96
Estimated LED lifetime (L80)	50,000 hours
Dimmer 0 - 100	included
Dimming curves mode	Linear, Exponential, Logarithmic
DMX module	included
DMX (bit)	8 bit / 16 bit
Connection for 14.8 V battery with standard XLR 4 pin connector (pin 1: negative / pin 4: positive)	included
Standard XLR 5 pin connectors to DMX console	included
Watt consumption	280 W
Firmware upgrades	through USB port
Colour temperature	2800 K - 6500 K
Voltage AC	90 V - 240 V
Voltage DC	24 V
Light beam	120°
Frequency (input)	50 / 60 Hz
Compliance	CE
Remote control	Bluetooth Long Range / DMX / RDM
Ambient temperature	Max: + 45°C / Min: - 10°C
Power factor	0.96

Photometric data	6500 K	5600 K	3200 K
Distance			
Lux at 1 m - 3.2 ft	12000	11800	11000
Lux at 2 m - 6.5 ft	3070	3000	2800
Lux at 3 m - 9.8 ft	1450	1400	1280
Lux at 4 m - 13.1 ft	860	840	780
Lux at 5 m - 16.4 ft	560	550	520

# Technical Drawing



# Pole Operated Yoke

