

# NanoPixSlim FR1440

from software version: V2.0

Released: 12-2017 - V1.1 - Rev B



# Safety Guidelines



» Please read these safety guidelines carefully before you take the NanoPixSlim FR1440 into service.

» Check the suitability of the product for the intended use.

» The NanoPixSlim FR1440 is not suitable for outdoor use (IP20).



» Do not attempt to repair or dismantle the NanoPixSlim FR1440 fixture: Opening and removing the internal covers can result in electrocution or other serious injuries.

» In case of product failure, please contact LDDE or an authorised LDDE-dealership.



» Do not touch the fixture while it is in use.



» Disconnect the fixture from the power supply before re-positioning and cleaning.

» Ensure that when the luminaire systems are installed in decorations, a sufficient clearance of around 30cm is required for adequate cooling and ventilation.

» Protect the fixture from shocks and impacts.

» Protect the fixture from moisture and water and avoid contact with moist or wet appliances.



» Ensure that the fixture is not covered and adequate ventilation is in place.



» Do not insert objects into openings of the housing that are connected to live parts as this can lead to short circuiting. Danger of electric shock and risk of fire.

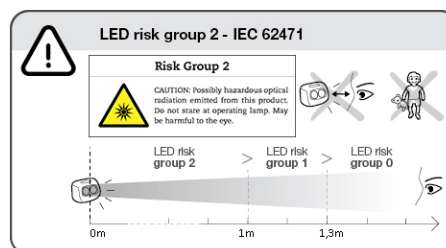
» The fixture is to be removed from service if:

- there is visible damage
- parts have become loose
- there is visible damage to cable connections

» LDDE products are manufactured and delivered in concordance with EU directive 2002/96/EU of the European Parliament and the Council on Waste Electrical and Electronic Equipment (WEEE). Help protect the environment and dispose of used products at your local recycling station.



Your dealership can offer further advice on correct disposal.



You can choose between 5 DMX modes each designed for different applications and preferences:

### **CH5 - COLOR MODE (5 CHANNELS):**

Only colors (RGB,WW,CW) - No Intensity and Strobe channel available.

### **CH6 - MASTER COLOR MODE (6 CHANNELS):**

Intensity and Colors.

### **CH7 - NORMAL MODE (7 CHANNELS):**

Most common mode with all basic functions.

### **CH10 - HIGH RESOLUTION COLOR MODE (10 CHANNELS)**

Same as the Ch5 - Color Mode but with 16-bit dimming.

### **CH11 - HIGH RESOLUTION COLOR STROBE MODE (11 CHANNELS)**

Same as Ch10 - High Resolution Color Mode but with 8-bit strobe.

## Operating Mode

The table below shows the different available modes and the DMX channels required for the corresponding mode.

Channel	8-bit interpolated	Ch5 - 5 Channel (905)	Ch6 - 6 Channel (906)	Ch7 - 7 Channel (907)
1	Intensity	xxx	1	1
2	R (red)	1	2	2
3	G (green)	2	3	3
4	B (blue)	3	4	4
5	WW (warm white)	4	5	5
6	CW (cold white)	5	6	6
7	Strobe	xxx	xxx	7
Channel	16-bit	Ch10 - 10 Channel (910)	Ch11 - 11 Channel (911)	
1	Red	1	1	
2	Red fine	2	2	
3	Green	3	3	
4	Green fine	4	4	
5	Blue	5	5	
6	Blue fine	6	6	
7	Warm White	7	7	
8	Warm White fine	8	8	
9	Cold White	9	9	
10	Cold White fine	10	10	
11	Strobe	xxx	11	



In brackets, the BCD & Remote command is used to set the desired mode.

For example. To switch to the Ch10 -High Resolution Color Mode, use 910 on the BCD switch.

## Changing Operating Mode



Changes with BCD switch possible **only before** commissioning!

Changes with LDDE RemoteControl possible **only during operation!**

The respective mode can be changed by means of BCD switch or LDDE RemoteControl.

Changes to the setting and/or DMX addresses affect **all LDDE devices** which are addressed via the same DMX cable!

### Settings with BCD switch

The settings of the NanoPixSlim FR1440 can be made using the BCD switch on the back of the device, therefore the NanoPixSlim FR1440 must be disconnected from the power supply.

To make changes, please proceed as follows.

1. Disconnect NanoPixSlim FR1440 from the power supply!
2. Set the desired mode to the BCD switch.
3. Connect NanoPixSlim FR1440 back to power supply.
4. Status LED and LEDs on the NanoPixSlim FR1440 illuminate "blue" for approx. 2 seconds.
5. Set the desired DMX start address again.

### Settings with LDDE RemoteControl

To change the settings of the NanoPixSlim FR1440, you need a LDDE RemoteControl. This allows various changes to the basic settings and the DMX mode during operation.

To change the settings on the NanoPixSlim FR1440 with the LDDE RemoteControl, please follow the steps below.

1. Disconnect the DMX connection to the NanoPixSlim FR1440.
2. Please note that no devices that could perform DMX value changes, such as a light console, are connected to this DMX line.
3. Connect the Power/DMX cable between NanoPixSlim FR1440 and the LDDE RemoteControl.
4. Send the desired setting or DMX address to the NanoPixSlim FR1440.
5. After sending, the LEDs of the NanoPixSlim FR1440 light up in the following colors.

green ..... DMX address  
blue..... Settings / Parameters  
red ..... Invalid command

## Overview Settings

Command	Function
801 - Disabled	Fade to Zero off
802 - Enabled	Fade to Zero on
850 - Disabled	Status LED off
851 - Enabled	Status LED on
860 - Disabled	Safety Light off
861 - Low	Safety Light on - „Low“
862 - Medium	Safety Light on - „Medium“
863 - High	Safety Light on - „High“
865 - red	Safety Light „red“
866 - green	Safety Light „green“
867 - blue	Safety Light „blue“
868 - warm white	Safety Light „warm white“
869 - cold white	Safety Light „cold white“
880 - PWM 8kHz	PWM frequency set to 8kHz
858 - PWM 5,8kHz	PWM frequency set to 5,8kHz
890 - Disabled	DMX Indicator off
891 - Enabled	DMX Indicator on
921 - Linear	No characteristic is used
922 - Normal	Normal dimming curve is used
923 - Smooth	Smooth dimming curve is used
930 - Disabled	Working Light off
931 - Enabled	Working Light on
935 - Enabled 50%	Working Light at 50% Intensity
937 - Enabled 70%	Working Light at 70% Intensity
939 - Enabled 100%	Working Light at 100% Intensity
666 - Reset	Reset to factory default

## Settings & Modes

The NanoPixSlim FR1440 is delivered with factory settings in 7Ch - Normal mode, which can be changed via the BCD switch on the back of the device or with a LDDE RemoteControl.

Factory Default	
<b>Channelmode</b>	Ch7 - Normal Mode
<b>Dimming parameter</b>	Normal
<b>Work light</b>	disabled
<b>PWM frequency</b>	8kHz
<b>Safety Light / Color</b>	disabled / blue
<b>DMX indicator</b>	disabled
<b>Fade to Zero</b>	enabled
<b>Status LED</b>	enabled

### Fade to Zero

801 - Disabled

For a new DMX value (below DMX value 15) --> Snap to 0

802 - Enabled

For a new DMX value (below DMX value 15) is dimmed to 0.

### Status LED

850 - Disabled

The status LED is switched off.

851 - Enabled

The status LED is switched on.

### Safety Light

860 - Disabled

Safety light function disabled

861 - Low

Safety light function „Low“ enabled - minimum light output

862 - Medium

Safety light function „Medium“ enabled - medium light output

863 - High

Safety light function „High“ enabled - high light output

### Available Colors

865 - red

The „red“ LEDs light up with the intensity set.

866 - green

The „green“ LEDs light up with the intensity set.

867 - blue

The „blue“ LEDs light up with the intensity set.

868 - warm white

The „warm white“ LEDs light up with the intensity set.

869 - cold white

The „cold white“ LEDs light up with the intensity set.

First, activate the function in the desired intensity. Then select the desired color in which the device is to light up. Finally, set the DMX address.

## Settings & Modes

### PWM frequency

880 - PWM 8kHz

The PWM frequency is set to 8kHz.

858 - PWM 5,8kHz

The PWM frequency is set to 5,8kHz.

### DMX indicator

890 - Disabled

The DMX indicator is switched off.

891 - Enabled

The status LED is switched on.

If no DMX signal is present, the device flashes red.

### Dimming parameters

921 - Linear

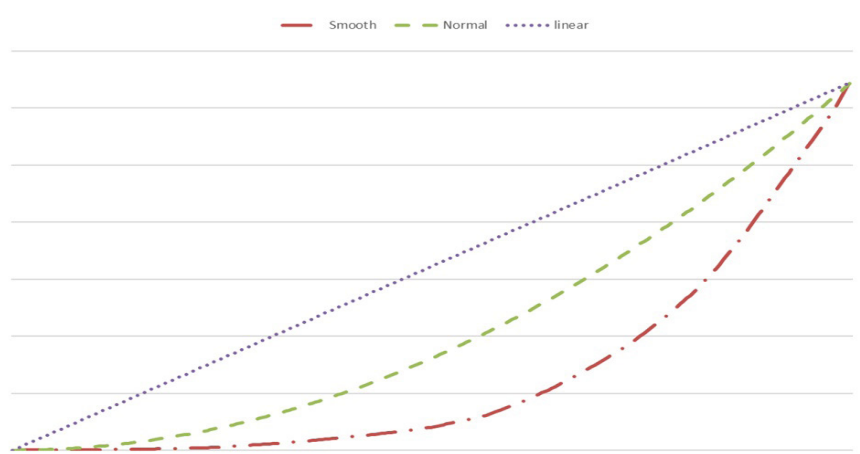
„Linear“ no characteristic is used.

922 - Normal

„Normal“ characteristic is used.

923 - Smooth

„Smooth“ characteristic is used.



### Working light

930 - Disabled

Working light is disabled.

931 - Enabled

If there is no DMX signal for 4 seconds --> WW & CW will be switched on.

935 - Enabled 50%

Working light at 50% Intensity.

937 - Enabled 70%

Working light at 70% Intensity.

939 - Enabled 100%

Working light at 100% Intensity.

### Factory default

666 - Reset

The device is reset to factory settings.



# Technical Specifications

## Dimensions / Weight

Length ..... 1204 mm / 47,40 Inches  
Width ..... 165 mm / 6,49 Inches  
Height ..... 57 mm / 2,24 Inches  
Weight (without accessories)..... 5,60 kg / 12,35 lb

## Control

Protocol ..... DMX512/1990

## Dimming

Dimming ..... 0 - 100%  
DMX channels ..... 5 / 6 / 7 / 10 / 11 DMX channels  
Address setting ..... BCD switch or LDDE RemoteControl

## Light Source

LED Engine ..... RGB, warm white, cold white  
Average life span ..... approx. 30.000 hours

## Connections

Input / Output ..... Power/Data multicore cable

## Electrical specifications

Input voltage range..... 100-240VAC | 50/60Hz  
Max. Power consumption ..... 80W

## Construction

Housing ..... Aluminium continous casting profile  
Color ..... black  
Minimum clearance of the LED ..... 100mm / 3,93 Inches  
Minimum clearance for sufficient cooling ..... 300mm / 11,81 Inches  
Cooling ..... convection cooling for silent operation  
Protection class ..... IP20

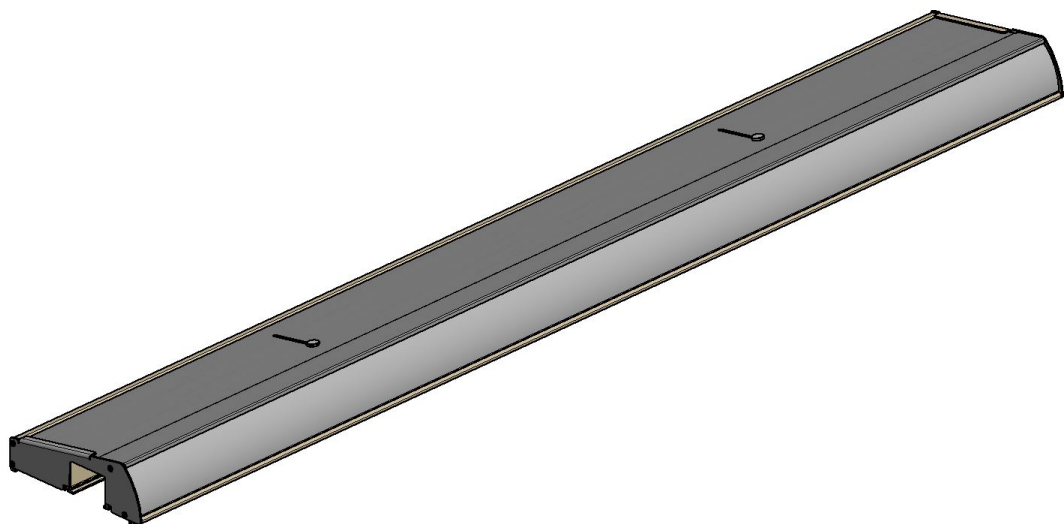
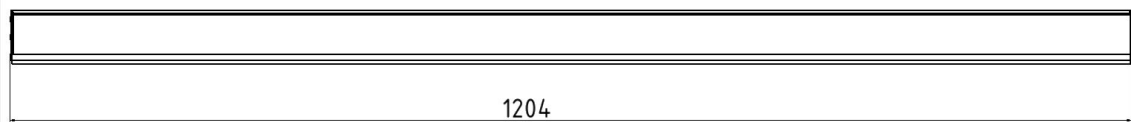
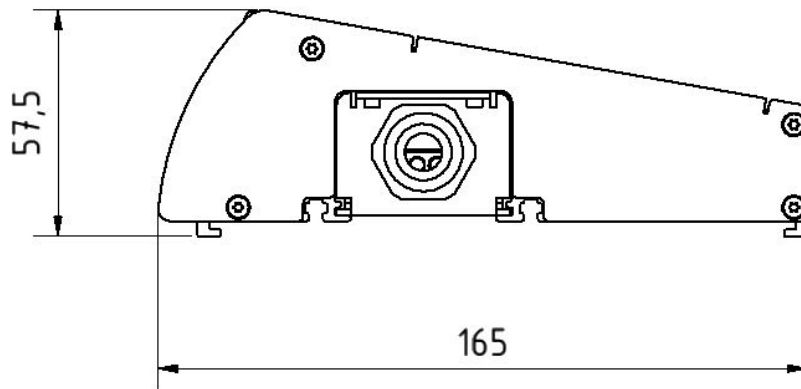
## Safty standards

Certifications ..... EN 55015, EN 60598-1, EN 61000-3-2, EN 61000-3-3, EN 61547  
Photobiological safety according to IEC 62471:2008 / EN 62471:2008

## Temperatures

Maximum ambient temperature..... ta: +40°C / 104°F

## Dimensions



## EG-Konformitätserklärung EC Declaration of Conformity



**Der Hersteller:**  
*The manufacturer:*

LDDE Vertriebsgesellschaft m.b.H  
Simmeringer Hauptstraße 357  
AT-1110 Wien  
Austria

erklären hiermit, dass das nachfolgend angeführte Produkt den einschlägigen grundlegenden Schutzanforderungen, die in den Richtlinien des Rates zur Angleichung der Rechtsvorschriften der Mitgliedsstaaten über die EMV,- und Niederspannungsrichtlinie festgelegt sind, entspricht.

*declare that the product listed below complies with the relevant basic protection requirements set out in the Council Directives on the approximation of the laws of the Member States relating to the EMC, EMC and Low Voltage Directives.*

**EMV-Richtlinie 2004/108/EG**  
*EMC-Directive 2004/108/EC*

**Produkttyp / Baureihe:**  
*Product type / Model series:*

NanoPixSlim FR1440

**EG Richtlinien, angewandte harmonisierte Normen:**  
*EC Directives, applied harmonized standards:*

**EN 55015, EN 60598-1 EN 61000-3-2, EN 61000-3-3, EN 61547, EN 62471**

Diese Erklärung wird verantwortlich für den Hersteller bzw. Inverkehrbringer.  
*This declaration becomes responsible for the manufacturer or distributor.*

**LDDE Vertriebsgesellschaft m.b.H, Simmeringer Hauptstraße 357, A-1110 WIEN, Austria**

abgegeben durch

Kurt Reiter

Geschäftsführer / CEO

Wien am 27.11.2017

LDDE Vertriebsgesellschaft m.b.H. | Simmeringer Hauptstraße 357 | A 1110 Vienna | Austria  
T: +43 1 7671811-0 | F: +43 1 7671811-99 | E: office@ldde.com | U: [www.ldde.com](http://www.ldde.com)  
Raiffeisenbank Region Schwechat | IBAN: AT62 3282 3000 0100 5107 | BIC: RLNWATWW823  
UID: ATU 36771409 | GF: Kurt Reiter | Gerichtsstand: Wien | FB-Nr.: FN 38949d

Seite 1/1