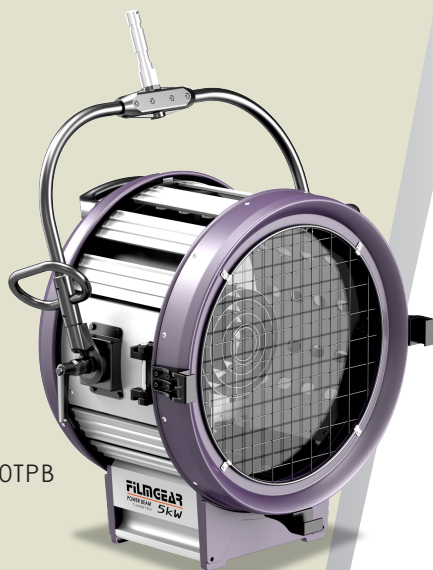


FILMGEAR®

Power Beam

TUNGSTEN 5000W



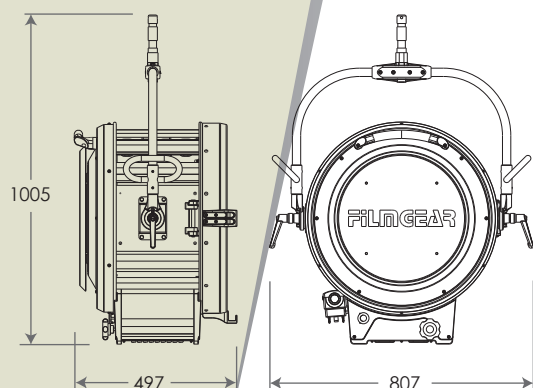
L05000TPB

LAMPHEAD CONTENTS

Lamp Housing with

- High Reflective Parabolic Glass Mirror
 - On-Off Switch
 - Inlet Cable 1.5m w/ CEEform Connector
 - Stirrup with Ø28mm Spigot
- # Exclude Lamp Bulb

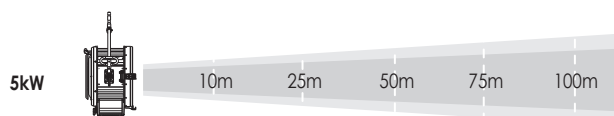
DIMENSIONS (mm)



SPECIFICATIONS

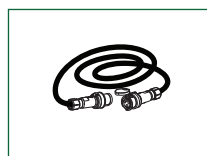
Identity No.	L05000TPB (220V)
Capacity	5,000W
Voltage	200 - 240V AC
Protective Lens	Ø500mm
Lamp Type	5000W SE
Color Temp.	3200K
Lamp Holder	G38
Stirrup	Ø28mm (1-1/8 in.) Spigot
Class / IP Rating	1 / IP 23
Max. Surface Temp.	210 °C
Max. Ambient Temp.	45 °C
Min. Distance to Illuminated Object	5 m
Min. Distance to Flammable Object	1.5m
Operating Range	+45° ~ 0° ~ -45°
Weight (lamphead)	51 kg

PHOTOMETRIC DATA

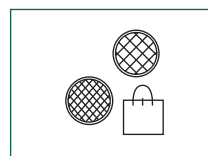


		10m	25m	50m	75m	100m
Spot	Lux	20185	3230	808	360	203
	Beam Ø	0.96 m	0.96 m	0.96 m	0.96 m	0.96 m
Flood	Lux	6368	1020	255	113	65
	Beam Ø	2.96 m	7.41 m	14.81 m	22.22 m	29.62 m

ACCESSORIES



Ext. Cable 7.5m (CEEform)



Scrim with Bag



Transport Case

FILM GEAR INT. reserves the right to change or alter any of the items detailed on this page, to increase or improve manufacturing techniques without prior notice. © 20210715

Film Gear (International) Ltd. No.7, Cumberland Road, Kowloon Tong, Hong Kong ☎ (852) 2794 3608 📠 (852) 2794 3662 ✉ info@filmgear.net
 Film Gear USA Group 9528 East Rush Street, Suite A South El Monte, CA 91733, U.S.A ☎ 1-323-780-8880 ✉ joanna@filmgearusa.com

www.filmgear.net