

# CONNECT RX200N

**exalux**

<http://exalux.eu/products/connect-rx200n/>

EXALUX™ CONNECT RX200N is a professional Wireless RDM/DMX receiver based on LumenRadio™ CRMX technology.

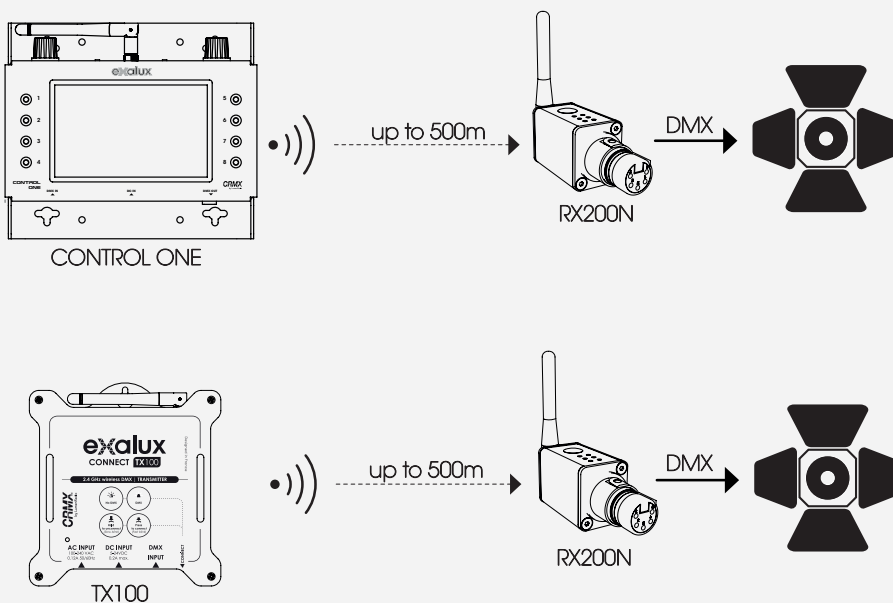


CONNECT RX200N is an ultra compact wireless RDM/DMX receiver. Its RDM and DMX compatibility makes it ready for the futur of DMX.

Thanks to its wide supply range (+5 to 26VDC), the dongle can be powered through the USB connector of a DMX fixture, a Vlock battery through the D-TAP connector or any external PSU. RX200N is really a universal and robust tool suitable for all DMX fixtures.

RX200N CRMX receiver works perfectly with the EXALUX™ CONNECT CRMX family such as TX100. It also works perfectly with other CRMX devices available on the market such as EXALUX CONTROL ONE or CONTROL SKY.

RX200N-RP is an optimized version for the SkyPanel and available as an option. On this version, the XLR connector and antenna are inverted by 180° compared to the standard version.



## PARTS & ACCESSORIES

RX200N Basic

CNT.002.001

RX200N-RP Basic

CNT.002.002

### Wireless with Exalux's DNA

CRMX by LumenRadio™ inside  
DMX512 + RDM-ANSI E1.20 compliant  
1 universe / 512 channels



### User-centric

Wide supply range  
Wireless level indicator  
Easily connectable to all fixtures  
Plug & play



### Reliability & freedom

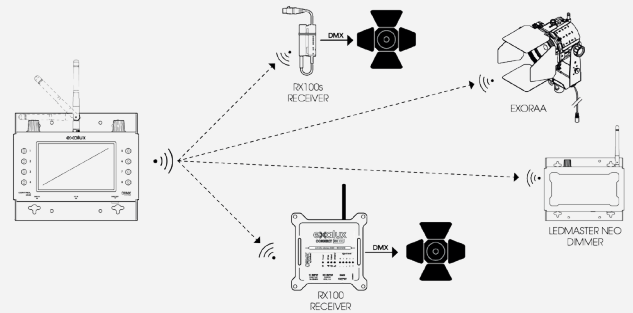
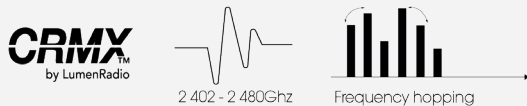
Rugged and compact design  
Internal antenna  
DMX fidelity without any latency

**exalux**  
exalux.eu

## ABOUT CRMX By LUMEN RADIO

Based on LumenRadio™ CRMX technology, EXALUX™ CONNECT RX200N brings **DMX fidelity without any latency**.

CRMX by LumenRadio™ patented Cognitive Coexistence technologies allows our wireless solutions to ensure optimum performance even when other wireless systems are operating in the same area.



## TECHNICAL SPECIFICATIONS

<b>Power Connection</b>	2.0x5.5MM DC jack
<b>Control</b>	Unlink (switch), Power, Paired, DMX, Signal level (LED)
<b>Power Consumption</b>	<0,9W
<b>Housing / construction</b>	Aluminium
<b>IP Rating</b>	IP30
<b>Certifications</b>	CE, RoHS
<b>Weight</b>	80g

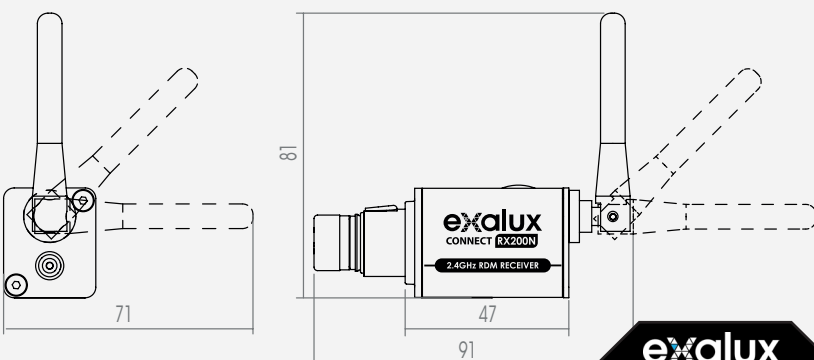
## RADIO INTERFACE

<b>Standard / Technology</b>	CRMX by LumenRadio™
<b>Frequency</b>	2,402 ~ 2,480 GHz
<b>Antenna</b>	External, 2.4GHZ 2.0dBi
<b>RF output</b>	20 dBm (100mW)
<b>RF Modulation</b>	GFSK
<b>Range</b>	Up to 300m <small>(depending on the transmitter and the environment)</small>

## OPERATING CONDITIONS

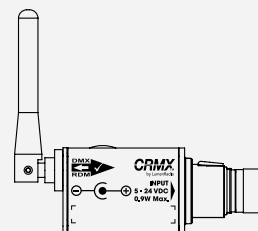
		Min	Typ	Max	
<b>Input Voltage (USB)</b>	V <sub>in</sub>	4,5	5	26.0	V <sub>dc</sub>
<b>Storage T°</b>	T <sub>st</sub>	-20		+75	°C
<b>Operating T°</b>	T <sub>op</sub>	-10	25	+55	°C

## DIMENSIONS

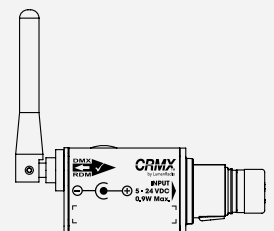


## DMX INTERFACE

<b>Protocol</b>	DMX512-A RDM-ANSI E1.20
<b>Universe support</b>	1
<b>DMX frame rate</b>	0,8-830Hz
<b>End to end latency</b>	< 5ms
<b>DMX output</b>	Neutrik XLR 5 pins F



**RX200N**



**RX200N-RP**