

## GENERAL INFORMATION

Sensor3 dimming systems provide high density, professional features and exceptional reliability for lighting applications that require the best the entertainment industry can offer.

### APPLICATIONS

- Professional entertainment venues
- Production studios
- Concert and performance halls
- Themed entertainment and architectural install
- Multi-purpose conference and exhibition venues

### FEATURES

- High dimmer density
- 12, 24, 36, and 48 module racks available
- Rugged industrial construction
- Installation flexibility
- Adaptable modular design
- SCCR rating 22kA-46kA at 230V depending on module type
- Single or dual electronic processors
- Advanced configuration editing built into rack
- Stores up to 64 backup presets in memory
- Direct Ethernet control signal input (Net3™, sACN)
- Two DMX512-A inputs
- Standard system and rack monitoring with diagnostic reporting
  - Optional advanced modules support individual circuit reporting and error messaging reporting

### ACCESSORIES

- Backup stations
- 5-Port Ethernet switch (ESR 24-ESR36-ESR48 Single processor racks only)
- Sound suppression hood
- Floor pedestal for 24-module rack
- Document holder

## ORDERING INFORMATION

### Standard CE Neutral Disconnect Installation Racks

PART NO.	DESCRIPTION
7144A1029-4	ESR3N-48 Sensor3 CE 48-Module Standard Rack
7144A1033-4	ESR3N-36 Sensor3 CE 36-Module Standard Rack
7144A1037-4	ESR3N-24 Sensor3 CE 24-Module Standard Rack
7144A1041-4	ESR3N-12 Sensor3 CE 12-Module Standard Rack
ADVANCED (AF) CE INSTALLATION RACKS	
7144A1030-4	ESR3AFN48 Sensor3 CE 48-Module Advanced Rack
7144A1034-4	ESR3AFN36 Sensor3 CE 36-Module Advanced Rack
7144A1038-4	ESR3AFN24 Sensor3 CE 24-Module Advanced Rack
7144A1042-4	ESR3AFN12 Sensor3 CE 12-Module Advanced Rack

### Rack Accessories

PART NO.	DESCRIPTION
7140A1001	CEM3 - Sensor3 CE Network Processor
7171A1001	NEFM - Network Electronic Filler Module w. 5 Port Ethernet Switch (ESR24-ESR36-ESR48 racks only)
7144K1004	Dual Processor Redundant Tracking Kit (processor not included) - for ESR24-ESR36-ESR48 racks only
7150A3010	EFM Blank Electronic Filler Module (ESR24-ESR36-ESR48 racks only)
7140K1001	Sensor3 Ride Thru Kit (Supplies power to CEM3 for brief power outages)
7140A1002	Sensor3 Wall Mount Battery Pack enclosure w. one battery (Feeds one Sensor3 rack)
7140A1002-1	Sensor3 Wall Mount Battery Pack enclosure w. two batteries (Feeds two Sensor3 racks)
HW6109	Floor Vibration Mount Kit
HW6111	Wall Vibration Mount Kit (ESR24 racks only)
7071A1033	Floor pedestal for 24-module rack
E10xx/E11xx	Inspire Stations
EPS5/EPS10	Preset recall stations
ELS	Light Sensor
EOCC	EOCC
E-SPM-WM	Wall-Mount Station Power Module (16+16)
E-SPM-RM	Rack-Mount Station Power Module (16+16)
	Echo Zone Controllers

## SPECIFICATIONS

## GENERAL

- Racks available in four sizes
  - ESR3-48; 48 modules, 96 dimmers maximum
  - ESR3-36; 36 modules, 72 dimmers maximum
  - ESR3-24; 24 modules, 48 dimmers maximum
  - ESR3-12; 12 modules, 24 dimmers maximum
- Dual density (two dimmers per module) and single density dimmer modules available
- Operating temperature: 0-40°C
  - Dimmer room HVAC systems must at all times maintain the specified ambient temperature at the dimmer rack. Dimming systems operating within 5° C of the upper or lower temperature limits must strictly follow installation and operation guidelines to operate reliably
- Relative humidity: 10-90% non-condensing
- All racks conform to CE

## MECHANICAL

- Rugged 1.5mm steel construction
- Fine-textured, scratch-resistant black epoxy paint
- ESR3-12 and ESR3-24 are wall mounted, optional pedestal for the ESR3-24, ESR336 and ESR3-48 are floor mounted
- Top and bottom conduit access through removable panels (ESR3-48) or knockouts (ESR3-12, ESR3-24 and ESR3-36)
- Keyed module slots prevent insertion of inappropriate module types
- Front access to all wiring and terminations
- Full height locking door
- Electrostatic air filter easily removed from door for periodic cleaning
- High efficiency cooling system with airflow sensor
- High visibility LED status beacon

## ELECTRICAL

- Three phase 230/400VAC or single phase 230VAC
- ESR48+ accepts three phase only
- Line feed frequencies from 47-63Hz
- Line feed voltage range is 220-240VAC
- Load terminals accept up to 25mm<sup>2</sup> wire (see chart)
- SCCR rating 22kA-46kA at 230V depending on module type
- Auxiliary equipment racks and custom switchgear/distribution available (call ETC for details)

## CONTROL ELECTRONICS

- CEM3 Power Control
- Full number pad for fast access to dimmer override and setup
- Graphical backlit display
- Single or dual electronics
- Single Ethernet control signal input per controller
- Secondary Ethernet convenience uplink to Net3 lighting system
- Two DMX512-A inputs

## OPTIONS

- Advanced modules support dimmer-specific load and diagnostic/error reporting
- Vibration reduction kits available for all racks

## ADDITIONAL INFORMATION

## Compatible Dimmer Modules

SENSOR STANDARD MODULES
See Sensor CE Standard dimmer module datasheet
SENSOR ADVANCED DIMMER MODULES
See Sensor CE Advanced (AF) dimmer module datasheet
SENSOR SPECIAL PURPOSE MODULES
See Sensor CE Relay and Constant Power module datasheet

## Other Accessories

PART NO.	DESCRIPTION
TBA	10-Button Backup Station
7051A1071-4	SSSh24-48 - Sensor3 Sound Suppression Hood (ESR24-ESR36-ESR48 racks only)
7051A3073	Multiple Rack Splice Plate
TBA	DH - Document Holder
HW6111	Floor Vibration Mount Kit
HW6109	Wall Vibration Mount Kit (ESR24 racks only)
7071A1033-4	Sensor3 floor pedestal for 24-module rack

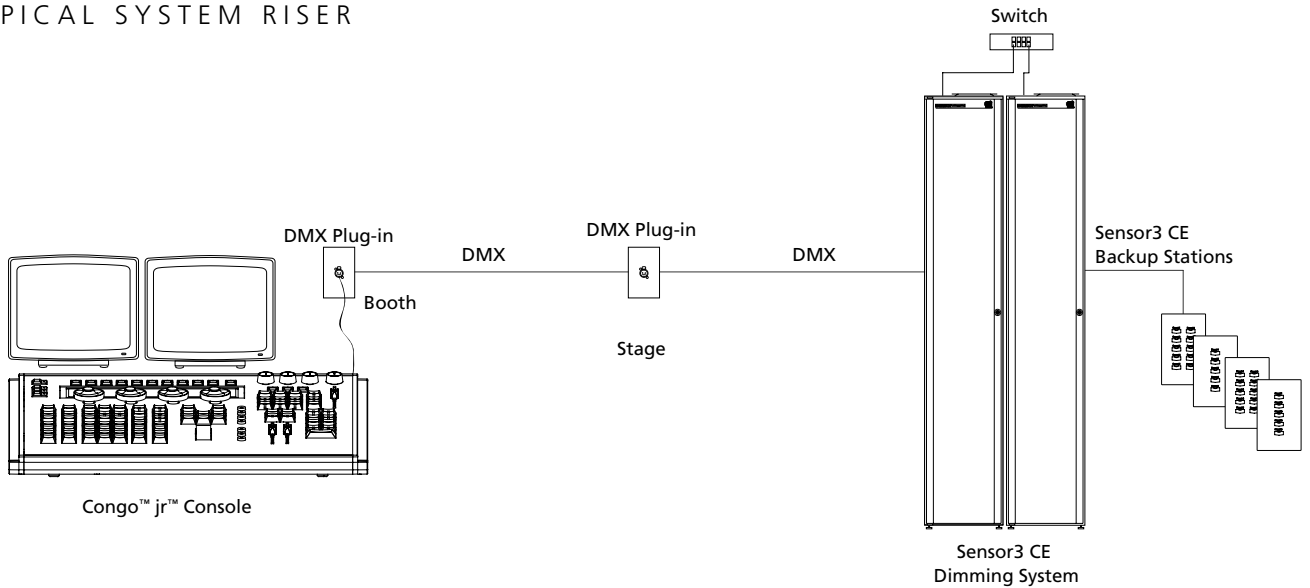
## Load Wiring Lug Capacity

CONNECTION	WIRE SIZE
15A, 25A and 50A lugs	25mm <sup>2</sup>

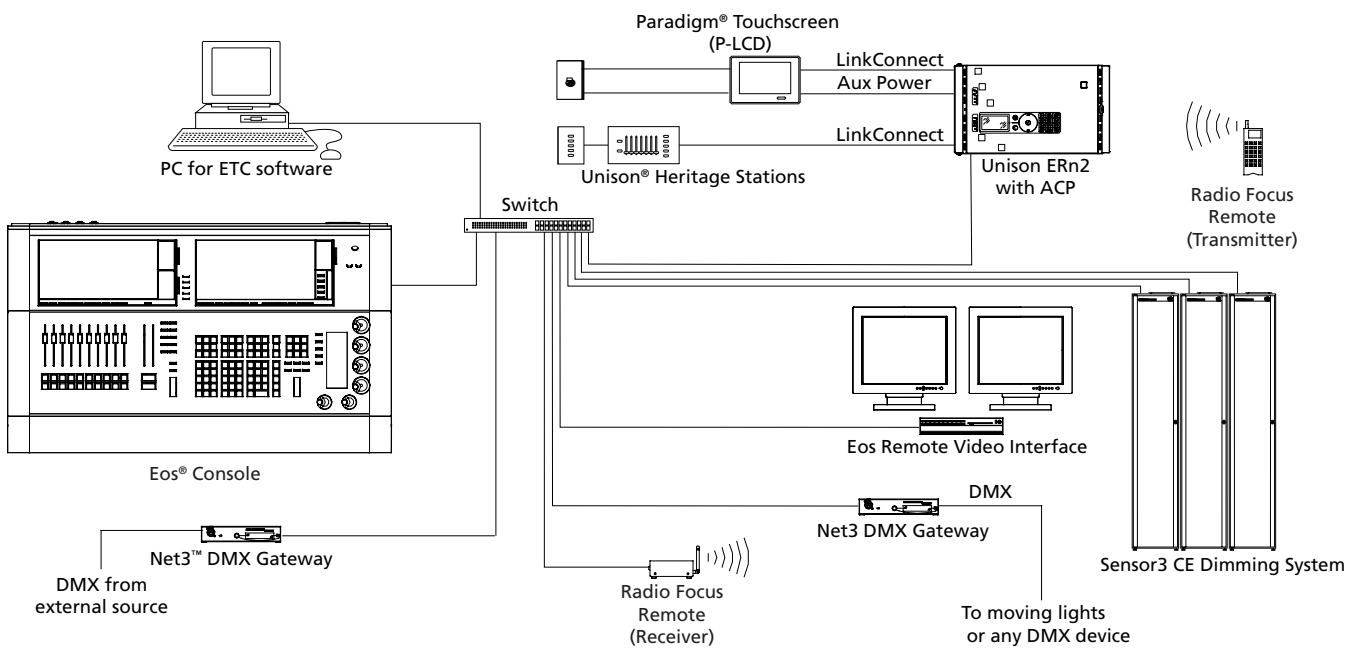
## Primary Feed Capacity

MODEL	FEED MAX.
ESR3-48	800A
ESR3-36	600A
ESR3-24	400A
ESR3-12	200A

### TYPICAL SYSTEM RISER



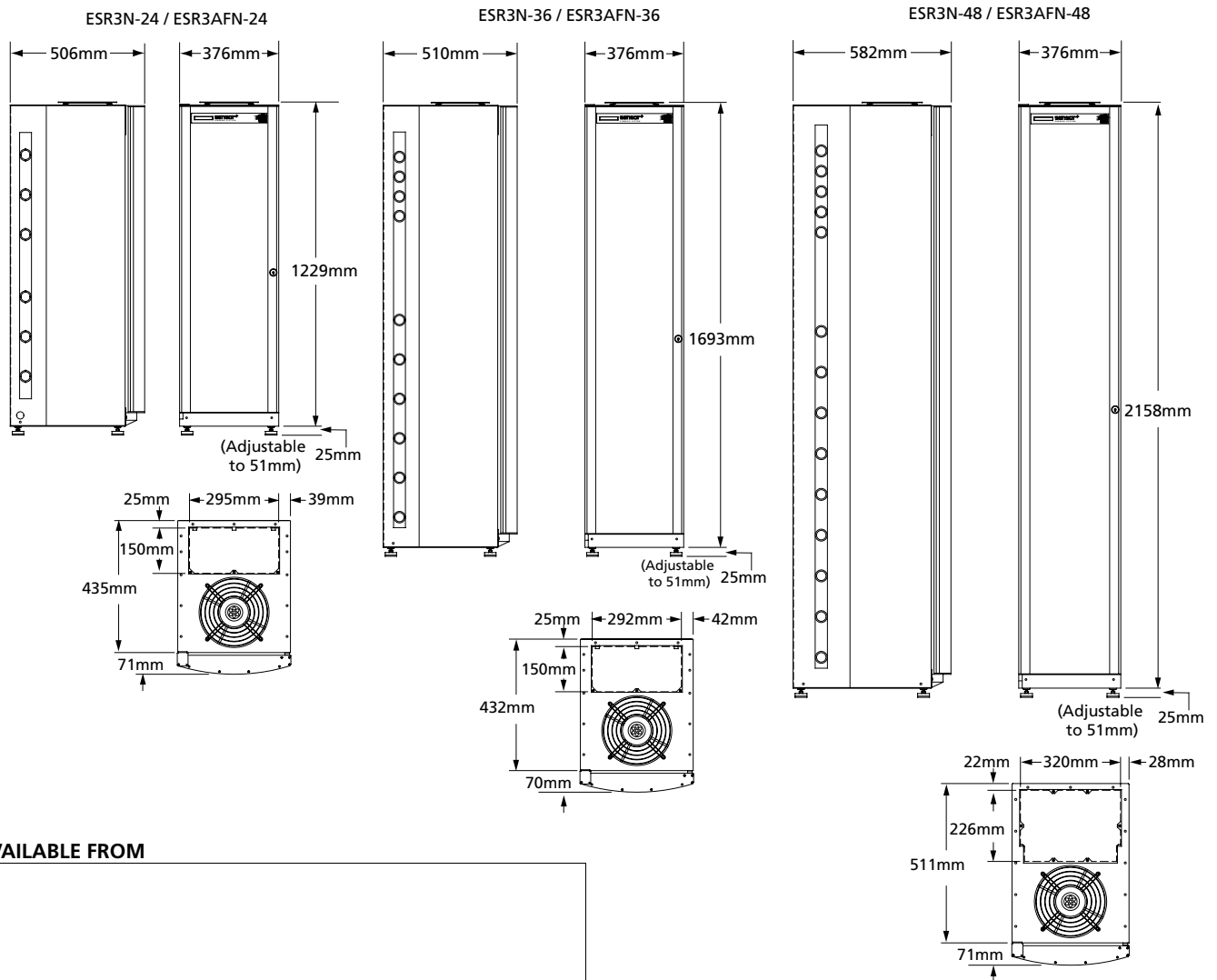
### TYPICAL NETWORK RISER



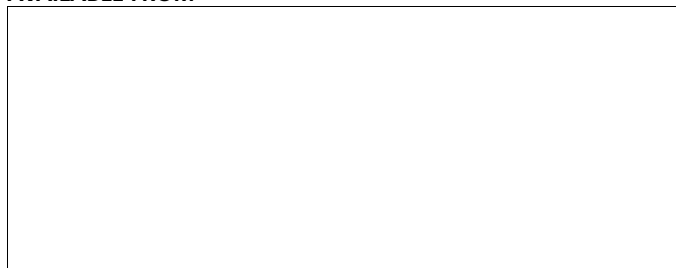
PHYSICAL

### Dimmer Rack Dimensions and Weights

MODEL	HEIGHT	WIDTH	DEPTH	WEIGHT EMPTY	WEIGHT WITH MODULES	SHIPPING WEIGHT
ESR3-48	2158mm	376mm	582mm	126 kg	Approx. 230 kg	250 kg
ESR3-36	1693mm	376mm	510mm	92 kg	Approx. 180 kg	195 kg
ESR3-24	1229mm	376mm	506mm	69 kg	Approx. 130 kg	140 kg
ESR3-12	655mm	376mm	427mm	34 kg	Approx. 65 kg	75 kg



AVAILABLE FROM



**Corporate Headquarters** • 3031 Pleasant View Rd, PO Box 620979, Middleton WI 53562 0979 USA • +1 608 831 4116  
**London, UK** • Unit 26-28, Victoria Industrial Estate, Victoria Road, London W3 6UU, UK • +44 (0) 20 8896 1000  
**Rome, IT** • Via Pieve Torina, 48, 00156 Rome, Italy • +39 (06) 32 111 683  
**Holzkirchen, DE** • Ohmstrasse 3, 83607 Holzkirchen, Germany • +49 (80 24) 47 00-0  
**Hong Kong** • Room 1801, 18/F, Tower 1 Phase 1, Enterprise Square, 9 Sheung Yuet Road, Kowloon Bay, Kowloon, Hong Kong • +852 2799 1220  
**Web** • etconnect.com • Copyright©2016 ETC. All Rights Reserved. All product information and specifications subject to change. 7141L1002-GB Rev E 12/16