



## GENERAL INFORMATION

The Source 4WRD Color PAR and PARNeI Fixture Bodies allow you to transform your Source 4WRD Color LED into a beautiful softlight. Taking advantage of the great energy efficiency, cool operating temperatures, and no lamp changes, the Source 4WRD Color PAR and PARNeI deliver an amazing output without compromise.

### APPLICATIONS

- Houses of worship
- Universities and schools
- Hospitality
- Retail
- Exhibition centers
- Meeting rooms
- Clubs
- Cafeteriums

### PRODUCT FEATURES

- Fixture bodies for use with Source 4WRD Color LED
- Works just like a Source Four PAR or PARNeI, using the same accessories
- 146 W at full output
- RGBA LED color array
- Uses same Source 4WRD Color LED as the Source 4WRD Color ellipsoidal

## ORDERING INFORMATION

### Source 4WRD Color PAR and PARNeI Fixture Bodies

MODEL	DESCRIPTION	PART NUMBER	
S4WRDPAR	S4WRD PAR Fixture Body, Black	7067A1109	
S4WRD PARNeI	S4WRD PARNeI Fixture Body, Black	7067A1110	

Color Options: Fixture body ships standard in black. For additional colors please use the below color code suffix:

Add -1 for white or -5 for silver

Notes: Source 4WRD Color LED and c-clamp sold separately.

### SOURCE 4WRD PAR AND PARNeI FIXTURES SHIP WITH:

- Color frame
- PAR ships with AR coated flat lens (other lenses sold separately)
- PARNeI ships with PARNeI lenses



## PRODUCT SPECIFICATIONS

## Source

LED details	Nichia LEDs *Not Included*
Max lumens	5,565 (PAR), 5,014 (PARnel) w/ S4WRD Color
Lumens per watt	38 (PAR), 34 (PARnel)
L70 rating (hours to 70% output)	>60,000 hours*
Notes	S4WRD LED sold separately

\*L70 value based on manufacturer's anticipated results

## Color

Colors used	RGB-A (Red, Green, Blue and Amber)
Color temperature range	2,200–6,500 K
Calibrated array	Yes
Red shift	No

## Optical

Beam angle range	PAR: 19.5-62 degrees PARnel: 25-46 degrees
Gate size	N/A
Aperture size	7-inches
Pattern projection	No
Pattern size	N/A
Camera flicker control/Hz range	Yes, 1.2K and 20 K
Notes	PAR ships with an AR coated flat lens. Additional PAR lenses sold separately. PARnel ships with PARnel lenses.

## Control

Input method	DMX Control
Protocols	DMX / RDM via RJ45
Modes (Footprint)	1 (1- Intensity, 2- Red, 3- Green, 4- Blue, 5- Amber, 6- Strobe)
RDM configuration	Yes
UI type	7-segment address display, local level control via UI
Local control	Yes
Onboard presets	Yes, 12
Onboard sequences	Yes, 5
Onboard effects	No
FixtureLink support	Yes

## Electrical

Voltage range	100–240 V (50–60 Hz)
Input method	Hard wired, 1 m cord, bare end or various connector options (120 V) Hard-wired, 1 m cord, bare end (240 V)
Inrush	32 A (first half-cycle) at 120 V 60 A (first half-cycle) at 240 V
Fixtures per circuit	120 V: 14 (20 A switched circuit, R20 module or similar) 240 V: 6 fixtures per non-dimmed circuit (ER15AFR module)
Wattage (Typical/Standby)	146 W / 3.0 W (120 V) 143 W / 2.9 W (240 V)
Current draw	1.25 A at 120 V 0.67 A at 240 V

## Thermal

Ambient operating temp	5°–40° C (41°–104° F)
Fan (controllable)	Yes (no)
Droop compensation	No
dB range	TBD dBA (average at 1 m)
BTUs/hour	458 (120 V) 449 (240 V)

## Physical

Materials	Die-cast aluminum
Color options	Black, white, silver or custom color
Mounting options	Yoke
IP rating	IP-20
Weight	PAR: 6.6 lb / PARnel: 7.7 lb
Included accessories	Color frame
Notes	Includes S4WRD mounting post. Required S4WRD Color LED available separately

## Regulatory and Compliance

Approved regulatory standards	UL 1573 (complete luminaire) UL 1598C (retrofit kit) CSA C22.2 No. 166 (complete luminaire) CSA TIL B79-A (retrofit kit) CE Compliant
-------------------------------	---

## PRODUCT FEATURES

**LEND COLOR TO ANY SPACE**

Millions of colors, from bold, saturated looks to pastel washes, all with soft edges.

**USES YOUR EXISTING ACCESSORIES**

Works just like a Source Four PAR and PARNel.

**INTERCHANGABLE WITH S4 PROFILES**

You can interchange your Source 4WRD LED sources between your S4 profile fixtures and your Source 4WRD PAR and PARNel fixture bodies.

## COLOR METRIC AND PHOTOMETRY INFORMATION PENDING

## ADDITIONAL ORDERING INFORMATION

**Accessories**

MODEL	DESCRIPTION
S4WRDC	Source 4WRD Color (UL), black
407CF	Color frame (7.5") (included)
400SC	Safety Cable
400CC	C-Clamp
400-VNSP	Very Narrow Spot lens
400-NSP	Narrow Spot lens
400-MFL	Medium Flood lens
400-WFL	Wide Flood lens
400-LS4	Set of four Source Four PAR lenses (VNSP, NSP, MFL, WFL)
400-XWFL	Extra Wide Flood lens
400PTH3	Top hat, 3"
400PTH6	Top hat, 6"
400PHH	Half hat
400XBTH	Cross baffle top hat
400BD	Barn door
400L	Egg crate louver
400WB	Weighted base

**NOTES ABOUT LED LUMINAIRES**

All LED sources experience some lessening of light output and some color shift over time. LED output will vary with thermal conditions. Thermal conditions can be affected by ambient temperatures and orientation. Based on the LED manufacturer's B50 L70 specification, a Source 4WRD luminaire will achieve ~70% of its initial output after 60,000+ hours of typical usage. In individual situations, LEDs will be used for different durations and at different levels. This can eventually lead to minor alterations in color performance, necessitating slight adjustments to presets, cues or programs.

PHYSICAL

Source 4WRD PAR Dimensions

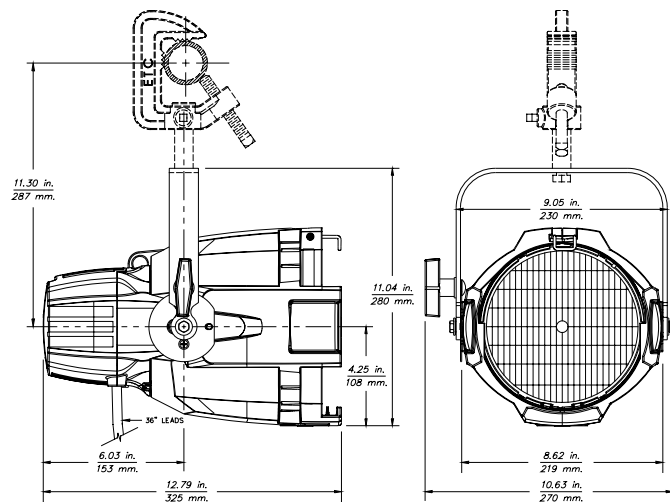
MODEL	HEIGHT		WIDTH		DEPTH	
	in	mm	in	mm	in	mm
4WRD PAR	11.04	280	10.63	270	12.79	325
4WRD PARNel	11.68	296	10.63	270	12.79	325

Source 4WRD PAR Weights

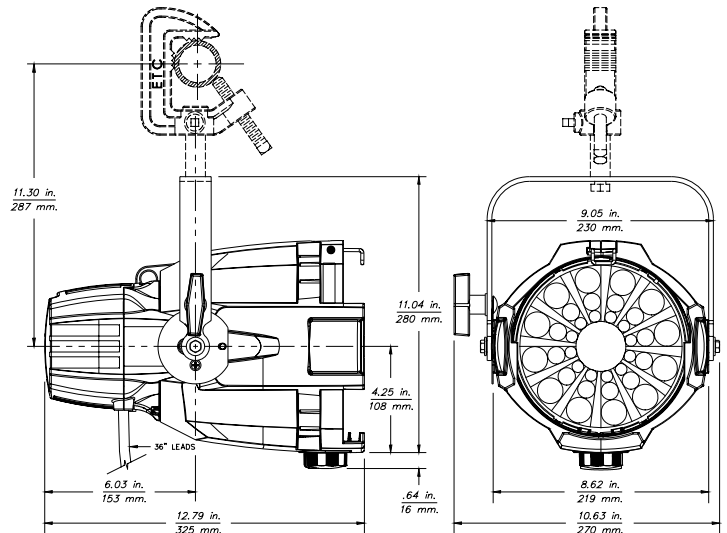
MODEL	WEIGHT*		SHIPPING WEIGHT		WEIGHT WITH S4WRD LED*	
	lb	kg	lb	kg	lb	kg
4WRD PAR	6.25	2.83	8.20	3.72	9.95	4.51
4WRD PARNel	7.70	3.49	9.65	4.34	11.40	5.17

\*Without mounting hardware

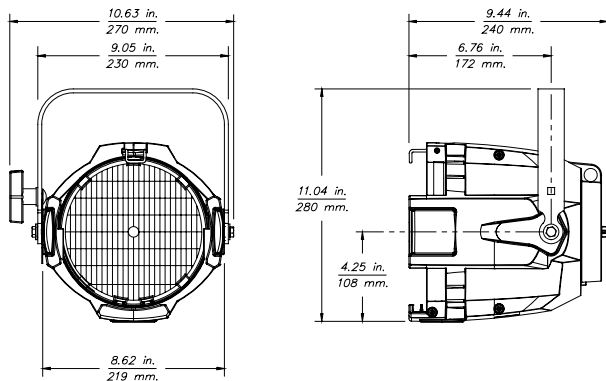
SOURCE 4WRD PAR (WITH SOURCE 4WRD LED)



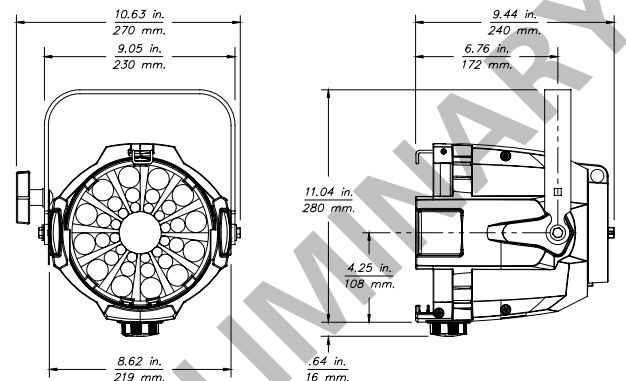
SOURCE 4WRD PARNel (WITH SOURCE 4WRD LED)



SOURCE 4WRD PAR (BODY ONLY)



SOURCE 4WRD PARNel (BODY ONLY)



Corporate Headquarters • Middleton, WI USA

Global Offices • London, UK • Rome, IT • Holzkirchen, DE • Paris, FR • Hong Kong • Dubai, UAE • Singapore • New York, NY • Orlando, FL • Los Angeles, CA

Copyright©2020 ETC. All Rights Reserved. All product information and specifications subject to change. Rev PRELIM 2020-09

Trademark and patent info: etconnect.com/IP

etconnect.com