



Type(s)  
Project  
Date  
Notes

**GENERAL INFORMATION**

An LED luminaire crafted by lighting experts with a proven history of quality fixtures, ColorSource Fresnel V MAX doubles the output of the existing ColorSource Fresnel V but still brings a richness of color and leading technology at a price point you'll love. Featuring a five-color array of red, green, blue, indigo, and lime, the ColorSource Fresnel V MAX provides soft pastels and bold saturated colors from a single fixture. Control the motorized 13°–44° zoom using DMX or manually from the rear of the fixture. ColorSource Fresnel V MAX also features wireless DMX/RDM control using Multiverse® technology, NFC configuration from your mobile device, and next level brightness, making it the ultimate in affordable wash light technology.

**FEATURES**

- Five-color array (red, green, blue, indigo, and lime)
- Motorized 13–44 degree zoom with DMX and local control
- Simple user interface with seven-segment display
- powerCON® TRUE1® TOP connector
- DMX/RDM in and thru (5-pin XLR)
- Multiverse wireless DMX/RDM
- NFC (near field communication) configuration
- LED droop compensation
- Optically calibrated
- Tour-ready, aluminum housing

**APPLICATIONS**

- Theatres and performance spaces
- Houses of worship
- Universities and schools
- Hospitality
- Retail
- Exhibition centers
- Meeting rooms
- Clubs
- Cafeteriums

**ORDERING INFORMATION**

**ColorSource Fresnel V MAX**

Model	Description	ETL Part Number	CE Part Number	
CSFRESVMAXMV	ColorSource Fresnel V MAX LED Fixture, black	7417A1012	7417A1212	

Color options: -1 = white, -5 = silver gray, -8 = custom colors.

Also available without Multiverse wireless control. Contact your dealer for ordering information.

Additional ordering information (including accessories) can be found on page 7.



### PRODUCT SPECIFICATIONS

#### Source

LED details	60 Lumileds LUXEON® C ES LEDs
Max lumens	10,023
Lumens per watt	48
L70 rating (hours to 70% output)*	54,000 hours

#### Color

Colors used	Red, Green, Blue, Indigo, Lime
Color temperature range	Color mixing
Calibrated array	Yes
Red shift	No

#### Optical

Beam angle range	13°–44°
Gate size	N/A
Aperture size	190 mm (7.48 in)
Pattern projection	No
Pattern size	N/A
Camera flicker control/Hz range	5,000 Hz (default) and 25,000 Hz (via RDM)

#### Control

Input method	5-Pin XLR, Multiverse wireless, and NFC
Protocols	DMX-512, RDM, City Theatrical Multiverse, NFC
Modes (footprint)	6 modes, see page 6
RDM configuration	Yes
UI type	Seven-segment display, three-button interface, Focus encoder
Local control	Yes
Onboard presets	Yes (12)
Onboard sequences	Yes (5)
Onboard effects	No
FixtureLink	Yes
Notes	15-bit virtual dimming engine

#### Wireless

Band	2.400–2.480 GHz
Range	100 m indoors, 500 m line of sight (subject to conditions)
Max receivers	DMX: No limit RDM: Varies by transmitter used Multiverse SHoW Baby®: 585 Multiverse Transmitter: 5,000
Broadcast power	100 mW

#### Electrical

Voltage range	100–240 VAC 50/60 Hz
Input method	powerCON TRUE1 TOP power in and thru
Inrush (first half-cycle)	120 V: 36 A 240 V: 57 A
Fixtures per circuit on standard R20 breaker	3 (link up to 4 via Power Thru connector)* Note: TRUE1 connector rated for 20 A (120 V / 60 Hz) and 16 A (240 V / 50 Hz)
Wattage (typical)	120 V: 208 W 230 V: 205 W
Current draw	120 V: 1.75 A 230 V: 0.95 A

\*Note: All measurements are for 120 V, 60 Hz. Results may vary in different regions.

#### Thermal

Ambient operating temp	0°C–40° C (32°F–104° F)
Fan (controllable)	Yes (yes)
Droop compensation	Yes
Average dB	TBD dBA
BTUs/hour (120 V)	709

#### Physical

Materials	Cast and extruded aluminum
Color options	Black, white, silver, or custom color
Mounting options	Yoke
IP rating	IP20
Weight	6.24 kg (13.75 lb)
Included accessories	Yoke, power cable

#### Warranty

Fixture	5 years
LED array	10 years

#### Regulatory and Compliance

Approved regulatory standards	cETLus Listed Conforms to UL 1598 & 924 Complies to CSA C22.2 No. 250.0 and 141 CE & UKCA compliant
-------------------------------	--

Note: All LED sources experience some lessening of light output and some color shift over time. LED output will vary with thermal conditions. In individual situations, LEDs will be used for different durations and levels. This can eventually lead to minor alterations in color performance, necessitating slight adjustments to presets, cues or programs.

### PRODUCT FEATURES



#### RGBIL ARRAY

The custom five-color blend of LEDs incorporates indigo and lime to increase spectral reach and color depth.



#### WIRELESS

Multiverse gives you up to 10 universes of wireless DMX/RDM control. And NFC configuration is standard with ETC's free Set Light app on your mobile device.

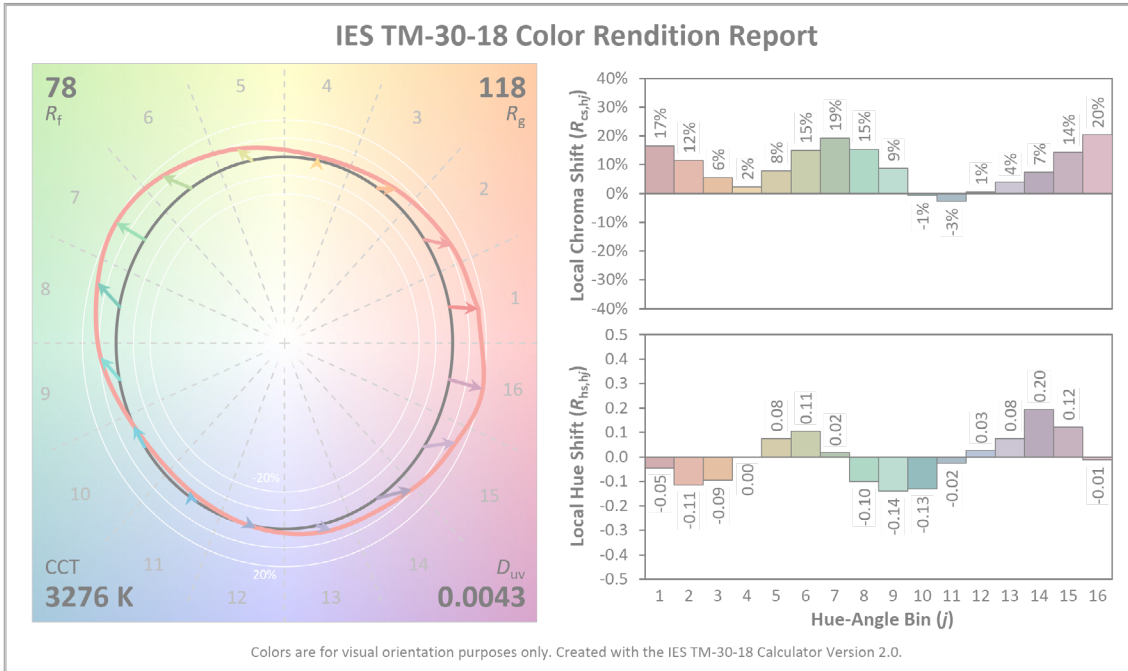


#### MOTORIZED ZOOM

Control the 13°–44° zoom via DMX or focus it manually from the rear of the fixture.

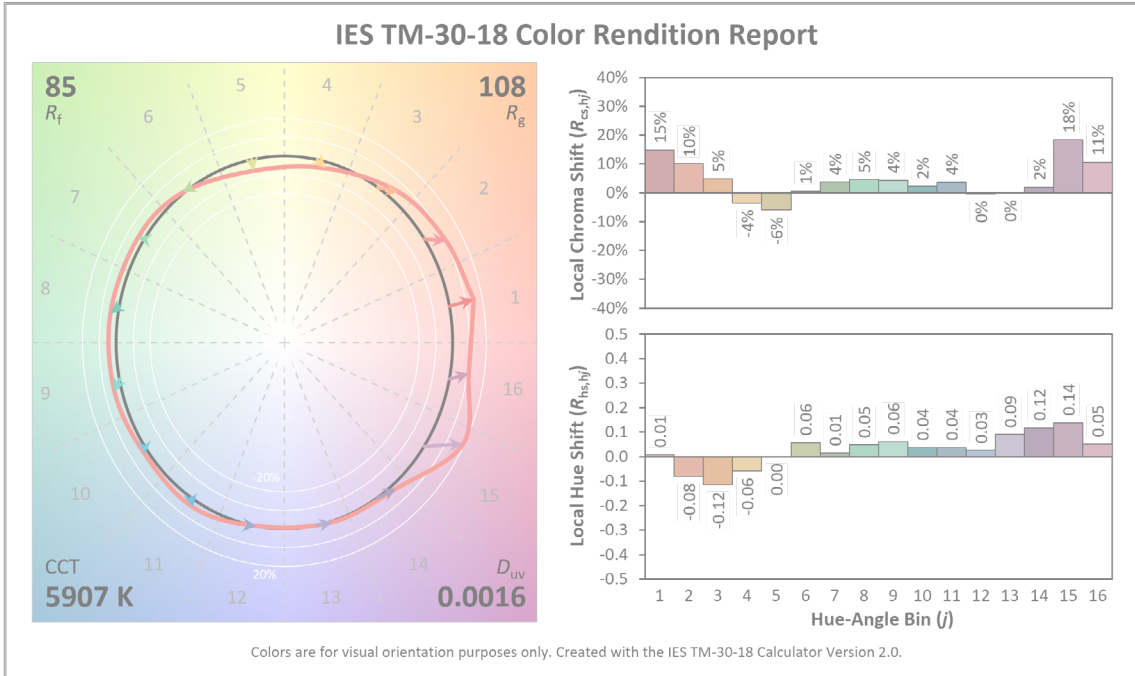
### COLOR METRIC INFORMATION

#### COLORSOURCE FRESNEL V MAX 3200 K TM-30-18



### COLOR METRIC INFORMATION

#### COLORSOURCE FRESNEL V MAX 5600 K TM-30-18

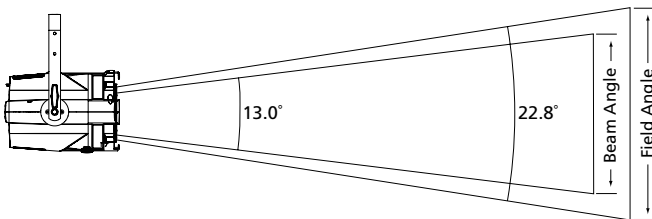


### PHOTOMETRY INFORMATION

#### ColorSource Fresnel V MAX Spot

Mode	Degree	Candela	Field Lumens	Beam Lumens	Power Consumption	Lumens Per Watt
Full On Direct	13					
3200 K	13					
5600 K	13					

Metric conversions: For meters, multiply feet by 0.3048.  
For lux, multiply footcandles by 10.76.



Throw Distance (d)	10 ft 3.0 m	15 ft 4.6 m	20 ft 6.1 m	30 ft 9.1 m	293.5 ft 89.5 m
Field Diameter	4.0 ft 1.2 m	6.0 ft 1.8 m	8.1ft 2.5 m	12.1 ft 3.7 m	-
Illuminance (fc)					1
Illuminance (lux)					10.76

To determine center beam illumination in footcandles at any throw distance, divide candela by the throw distance squared.

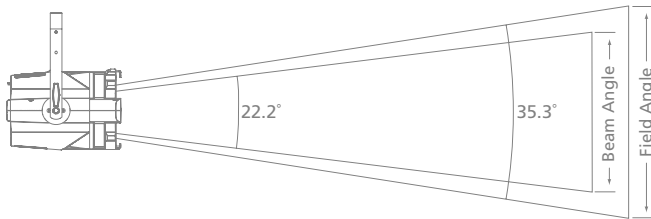
For field diameter at any distance, multiply distance by 0.403.  
For beam diameter at any distance, multiply by 0.228.

### PHOTOMETRY INFORMATION

#### ColorSource Fresnel V MAX Mid

Mode	Degree	Candela	Field Lumens	Beam Lumens	Power Consumption	Lumens Per Watt
Full On Direct	22					
3200 K	22					
5600 K	22					

Metric conversions: For meters, multiply feet by 0.3048.  
For lux, multiply footcandles by 10.76.



Throw Distance (d)	10 ft 3.0 m	15 ft 4.6 m	20 ft 6.1 m	30 ft 9.1 m	196.3 ft 59.8 m
Field Diameter	6.4 ft 1.9 m	9.5 ft 2.9 m	12.7 ft 3.9 m	19.1 ft 5.8 m	-
Illuminance (fc)					1
Illuminance (lux)					10.76

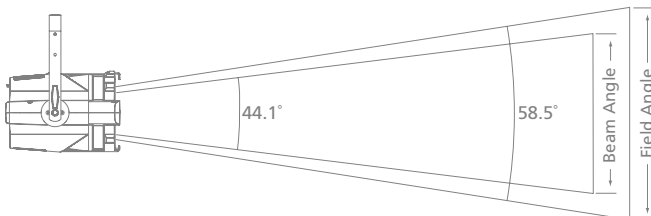
To determine center beam illumination in footcandles at any throw distance, divide candela by the throw distance squared.

For field diameter at any distance, multiply distance by 0.635.  
For beam diameter at any distance, multiply by 0.392.

#### ColorSource Fresnel V MAX Flood

Mode	Degree	Candela	Field Lumens	Beam Lumens	Power Consumption	Lumens Per Watt
Full On Direct	44					
3200 K	44					
5600 K	44					

Metric conversions: For meters, multiply feet by 0.3048.  
For lux, multiply footcandles by 10.76.



Throw Distance (d)	10 ft 3.0 m	15 ft 4.6 m	20 ft 6.1 m	30 ft 9.1 m	107.7 ft 32.8 m
Field Diameter	11.2 ft 3.4 m	16.8 ft 5.1 m	22.4 ft 6.8 m	33.6 ft 10.2 m	-
Illuminance (fc)					1
Illuminance (lux)					10.76

To determine center beam illumination in footcandles at any throw distance, divide candela by the throw distance squared.

For field diameter at any distance, multiply distance by 1.120.  
For beam diameter at any distance, multiply by 0.810.

### CONTROL

#### DMX Input Channel Profiles

DMX PROFILE	DMX CHANNELS	CHANNEL ASSIGNMENTS	NOTES
Stn: Standard (Default mode)	7	1–Intensity 2–Red 3–Green 4–Blue 5–Strobe 6–Zoom 7–Fan	Indigo and Lime are mixed automatically.
RGB	4	1–Red 2–Green 3–Blue 4–Zoom	Indigo and Lime are mixed automatically.
1ch: 1-channel	1	1–Intensity	Controls the intensity of Preset 1.
Dir: Direct	9	1–Intensity 2–Red 3–Green 4–Blue 5–Indigo 6–Lime 7–Strobe 8–Zoom 9–Fan	Provides direct emitter control.
6ch: 6-channel	6	1–Intensity 2–Red 3–Green 4–Blue 5–Strobe 6–Zoom	Uses the legacy white point (5400 K) and strobe function from the original ColorSource family. Indigo and Lime are mixed automatically.
CCT: Studio	7	1–Intensity 2–CCT 3–Tint 4–Tune 5–Strobe 6–Zoom 7–Fan	Studio mode is currently available only on ColorSource Fresnel V MAX.

### ADDITIONAL ORDERING INFORMATION

#### Accessories

MODEL	DESCRIPTION	PART NUMBER	
407CF	Color frame (7.5 in)	7061A3007	
400SC	Safety cable	7060A1022	
400CC	C-clamp	7060A2009	
400PTH3	Top hat, 3 in	PSF1022	
400PTH6	Top hat, 6 in	PSF1023	
400PHH	Half hat	PSF1027	
400WB	Weighted base	PSF1032	
400XBTH	Cross baffle top hat	PSF1031	
400L	Egg crate louver	PSF1028	
400BD	Barn door, 4-leaf with extension ring, 190 mm (7.5 in), black (for use in inner accessory slot to reduce light leak)	PSF1019	
400BDS	Barn door, 4-leaf with short extension ring, 190mm (7.5 in), black	PSF1095*	
FRESBD7.5	Studio barn door, 8-leaf, 190 mm (7.5 in), black	PSF1191	
BDS	Studio barn door, 4-leaf, 190 mm (7.5 in), black	PSF1101	

\*Use of the barn door will reduce beam angle in wide settings

#### Multiverse

MODEL	DESCRIPTION	PART NUMBER	
CT-5900	City Theatrical Multiverse SHoW Baby	4360A1091	
CT-5902	City Theatrical Multiverse Node 900 MHz / 2.4 GHz	4360A1092	
CT-5903	City Theatrical Multiverse Node 2.4 GHz	4360A1093	
CT-5910	City Theatrical Multiverse Transmitter 900 MHz / 2.4 GHz	4360A1094	
CT-5911	City Theatrical Multiverse Transmitter 2.4 GHz	4360A1095	

#### Power Input Cables

Use information below to order 1.5 m (5 ft) power input leads with factory-fitted connectors. CE fixtures ship with powerCON TRUE1 TOP to bare end cables in the box.

MODEL	DESCRIPTION	PART NUMBER (NOT CE)	
T1PA-A	1.5 m (5 ft) Edison plug to TRUE1 receptacle, UL 1573, black	2500B7029-A	
T1PA-B	1.5 m (5 ft) Stage Pin plug to TRUE1 receptacle, UL 1573, black	2500B7029-B	
T1PA-C	1.5 m (5 ft) Twist Lock plug to TRUE1 receptacle, UL 1573, black	2500B7029-C	
T1PA-X	1.5 m (5 ft) Bare end pigtail to TRUE1 receptacle, UL 1573, black	2500B7029-X	

#### Power Thru Jumpers

Note: Power thru jumpers connect to a fixture's output (thru) connector to provide a link to successive fixtures.

MODEL	DESCRIPTION	PART NUMBER (NOT CE)	
T1PJ-5	1.5 m (5 ft) TRUE1 plug to TRUE1 receptacle fixture power jumper, UL rated, black	2500B7030	
T1PJ-10	3 m (10 ft) TRUE1 plug to TRUE1 receptacle fixture power jumper, UL rated, black	2500B7031	
DPT1A-5	1.5 m (5 ft) powerCON plug (gray) to TRUE1 receptacle adapter cable, black	2500B7038	
T1DPA-5	1.5 m (5 ft) TRUE1 plug to powerCON receptacle (blue) adapter cable, black	2500B7039	

### PHYSICAL

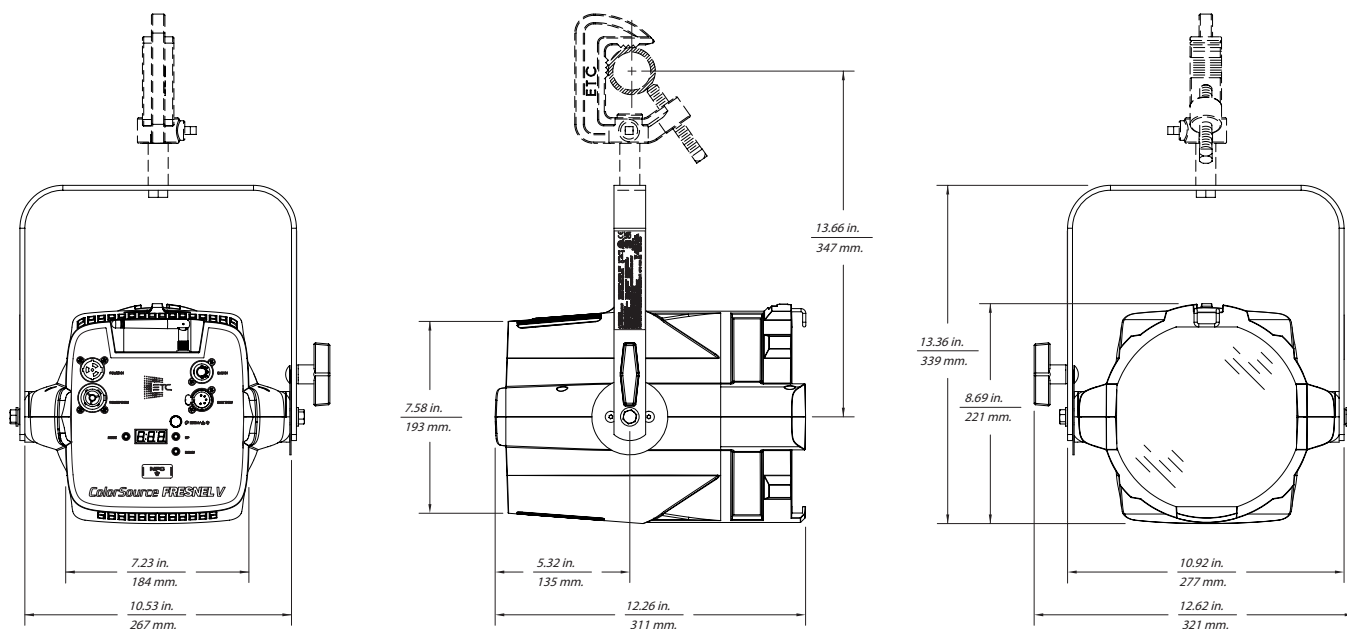
#### ColorSource Fresnel V MAX Dimensions

Model	Height		Width		Depth	
	mm	in	mm	in	mm	in
Fresnel V MAX	339	13.36	321	12.62	311	12.26

#### ColorSource Fresnel V MAX Weights

Model	Weight		Shipping Weight	
	kg	lb	kg	lb
Fresnel V MAX	6.24	13.75	8.62	19

### COLORSOURCE FRESNEL V MAX



**Corporate Headquarters** • Middleton, WI USA

**Global Offices** • London, UK • Rome, IT • Holzkirchen, DE • Paris, FR • Hong Kong  
Dubai, UAE • Singapore • New York, NY • Orlando, FL • Los Angeles, CA • Austin, TX

©2025 ETC. All Rights Reserved. All product information and specifications subject to change. Rev Prelim2 2025-02

\*Trademark and patent info: [etconnect.com/IP](http://etconnect.com/IP) • Third-party license agreement info: [etconnect.com/licenses](http://etconnect.com/licenses)

[etconnect.com](http://etconnect.com)