



PROTRON 3K™

SKU# PRO890

The Protron 3K™ is a new high powered LED strobe featuring (202) CREE™ 3W Cool White LEDs, 80,000 lumens, 120° beam angle, (2) power modes (HIGH or LOW), strobe effect macros including burst, pulse, lighting, and full ON*, (2) silent cooling fans, electronic dimming, 3/5pin DMX and powerCON in/out connections, (4) button LCD control panel, an integrated rigging yoke, 900W max power consumption, and a multi-voltage universal auto switching power supply (100-240v). *Thermally regulated output at full max 10 seconds.



FEATURES

(202) CREE™ 3W Cool White LEDs

80,000 Total Lumens

120° Beam Angle

(2) Power Modes (HIGH or LOW)

Electronic Dimming

Burst, Pulse, Lighting, and Full ON* Effects

(2) Silent Cooling Fans

***Thermally regulated output at full max 10 seconds.**



ELATION | PROTRON 3K™ | Product Specification Sheet

Specifications are subject to change without notice ©Elation Professional 09/28/15

Elation Professional USA | 6122 S. Eastern Ave. | Los Angeles, CA. 90040
323-582-3322 | 323-832-9142 fax | www.elationlighting.com | info@elationlighting.com

Elation Professional B.V. | Junostraat 2 | 6468 EW Kerkrade, The Netherlands
+31 45 546 85 66 | +31 45 546 85 96 fax | www.elationlighting.eu | info@elationlighting.eu

PRODUCT SPECIFICATIONS

SOURCE

(202) CREE™ 3W Cool White LEDs
 80,000 Total Lumens
 50,000 Hour Average LED Life*

*LED Life may vary depending on several factors including but not limited to: Environmental Conditions, Power/Voltage, Usage Patterns (On-Off Cycling), Control and Dimming.

PHOTOMETRIC DATA

16,450 LUX 1,528 FC @3.3' (1m) (120° Full ON)

EFFECTS

Electronic Dimming
 Burst, Pulse, Lighting, Full ON**

**Thermally regulated output at full max 10 seconds.

CONTROL / CONNECTIONS

4 DMX Channel Modes (1 / 2 / 3 / 4)
 4 Button Control Panel
 LCD Menu Display
 3/5pin DMX In/Out
 powerCON In/Out
 Power Link Up To (2) Units at 120V

SIZE / WEIGHT

Length: 21.5" (546mm)
 Width: 6.9" (175mm)
 Vertical Height: 11.7" (296mm)
 Weight: 17.2 lbs. (7.8kg)

ELECTRICAL / THERMAL

AC 100-240V - 50/60Hz
 900W Max Power Consumption
 Max Ambient Temperature 113°F (40°C)

APPROVALS / RATINGS

CE | IP20

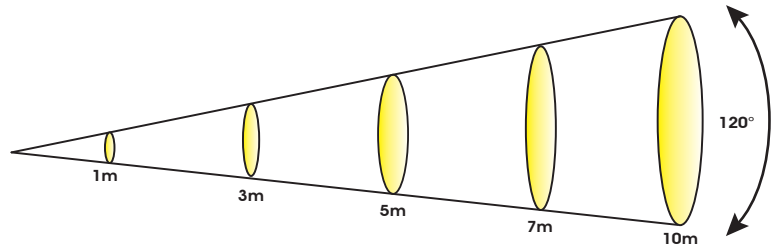
INSTALLATION

Rigging: Intergrated Yoke
 Working Position: Any (360°)

INCLUDED ITEMS

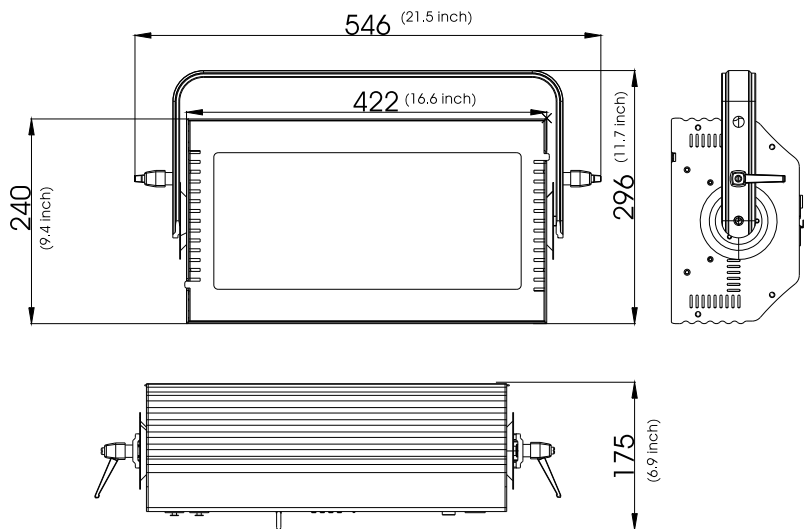
(1) powerCON Cable

PHOTOMETRIC DATA



Distance	m		ft		m		ft		m		ft	
	1	3.3	3	9.8	5	16.4	7	23.0	10	32.8		
Photometrics	lux	fc	lux	fc	lux	fc	lux	fc	lux	fc		
FULL ON	16,450	1,528	2,200	204	900	84	565	52	274	25		

DIMENSIONAL DIAGRAM



OPTIONAL ACCESSORIES

ORDER CODE	ITEM
TRIGGER CLAMP	Heavy Duty Wrap Around Hook Style Clamp
EWDMSYSTEM	Wireless DMX System (1 Transmitter, 1 Receiver)
EWDMXT	Wireless DMX Transmitter
EWDMXR	Wireless DMX Receiver
AC3PDMX5PRO	5 ft. (1.5m) 3pin PRO DMX Cable
AC5PDMX5PRO	5 ft. (3m) 5pin PRO DMX Cable
PLC3	3' (1m) PowerCON PRO Link Cable
PLC6	6' (1.8m) PowerCON PRO Link Cable
	Additional Cable Lengths Available

