



DOUGHTY ENGINEERING LTD

DATA SHEET

TITLE:
150MM TWIN PULLEY

PART NOS:
T42912

MATERIAL:

WEIGHT: 5.30 Kg

SWL: 400 Kg

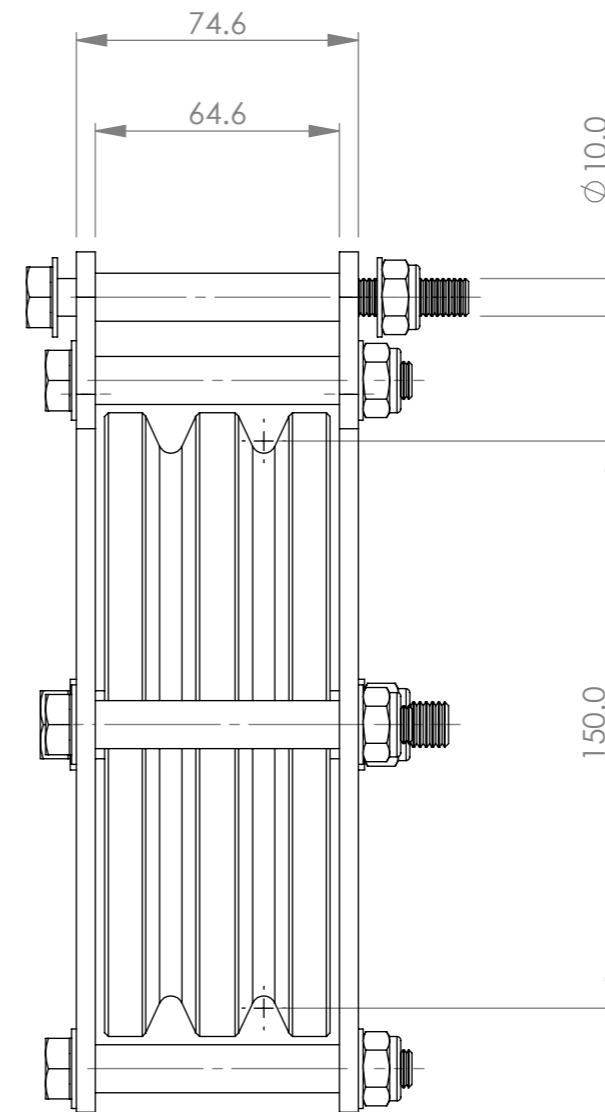
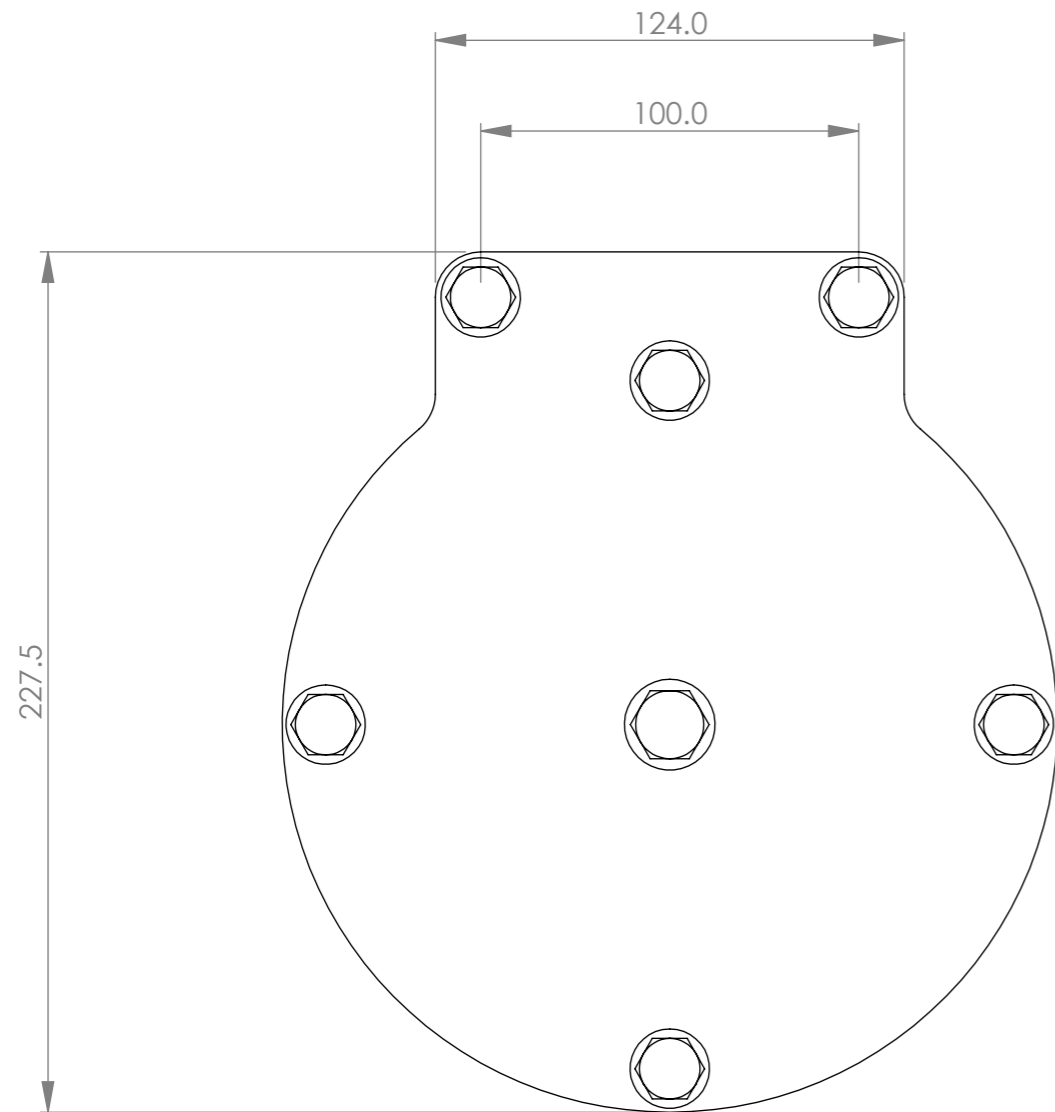
FINISH:
POWDER PAINTED

NOTES:

**STRICTLY
FOR
REFERENCE
PURPOSES
ONLY**



THIRD ANGLE PROJECTION





DOUGHTY ENGINEERING LTD

DATA SHEET

TITLE: 100MM DOUBLE PULLEY
4MM WIRE ROPE

PART NOS:

T42902

MATERIAL:
MILD STEEL / NYLON

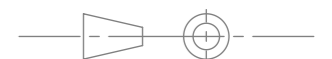
WEIGHT:
tba

SWL:
200 KG

FINISH:
POWDER COATED

NOTES:

**STRICTLY
FOR
REFERENCE
PURPOSES
ONLY**



THIRD ANGLE PROJECTION

