



DOUGHTY ENGINEERING LTD

DATA SHEET

TITLE:
BOLT ON RECEIVER M12

PART NOS:
T74800 - SILVER
T74801 - SATIN BLACK

MATERIAL:
ALUMINIUM

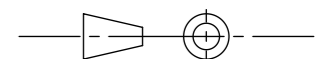
WEIGHT:
0.66 KG

SWL:
100 KG

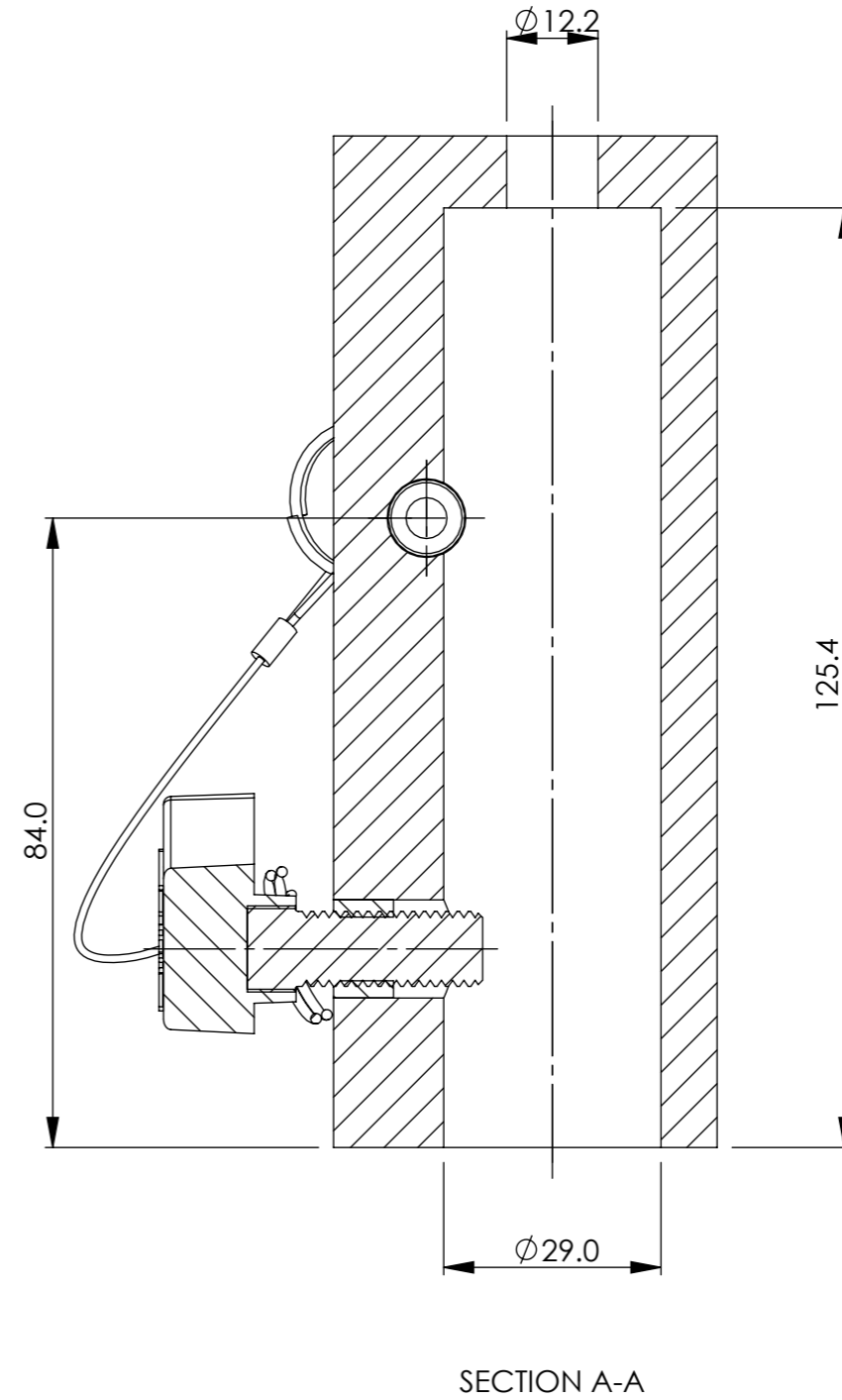
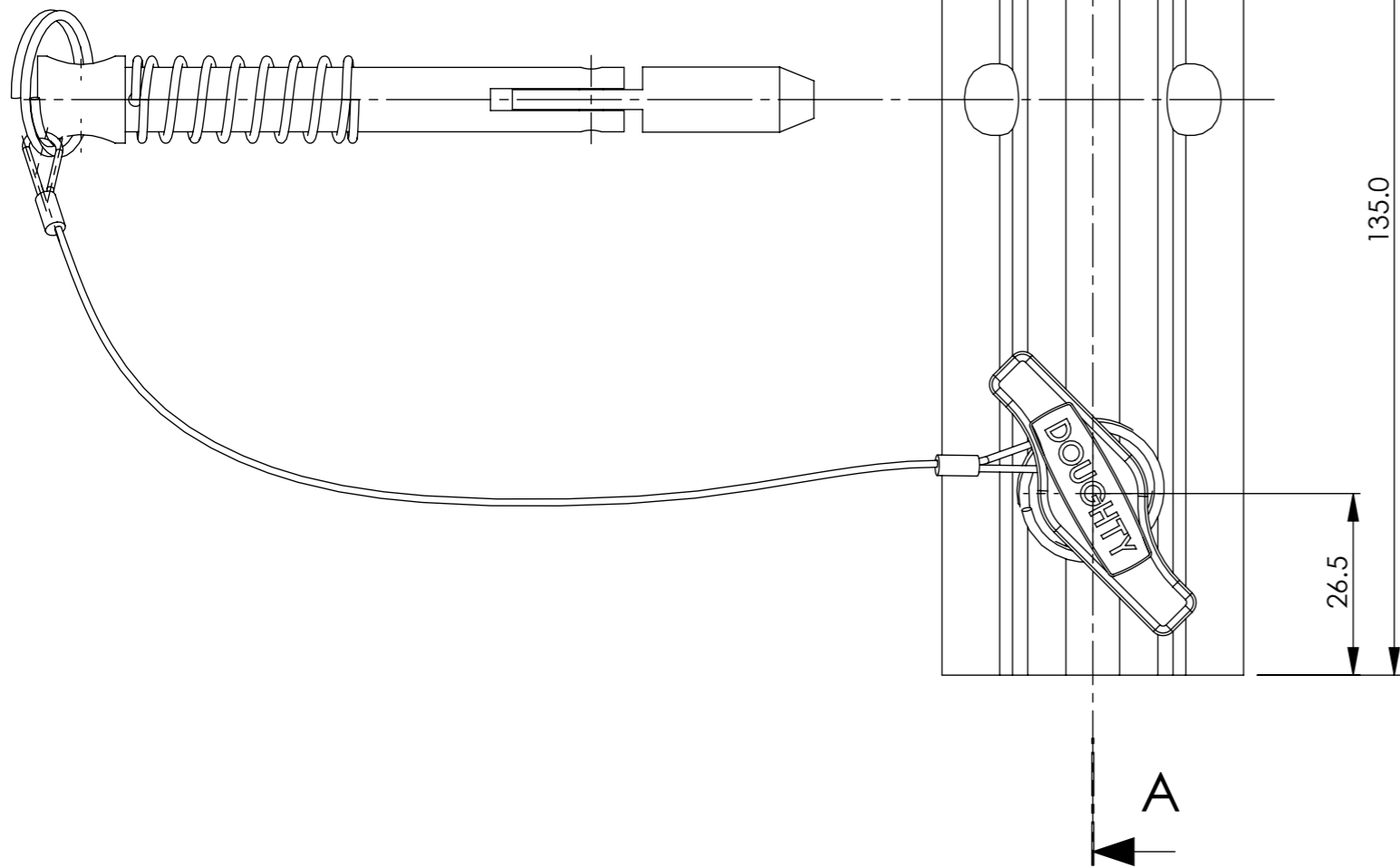
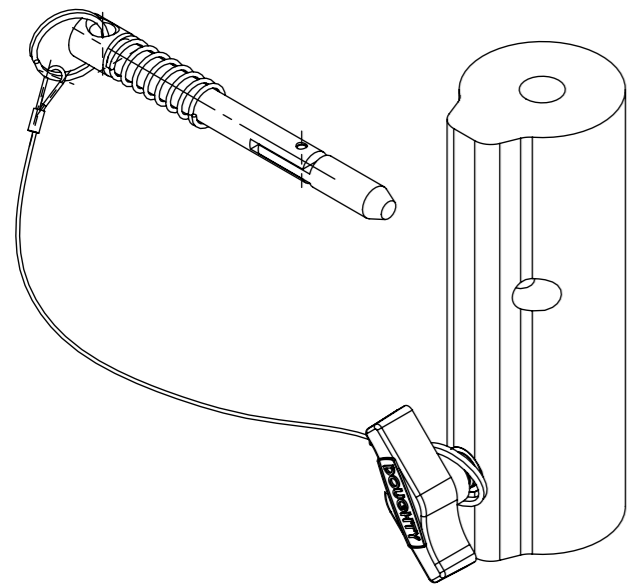
FINISH:
T74800 - POLISHED
T30401 - POWDER PAINTED

NOTES:

**STRICTLY
FOR
REFERENCE
PURPOSES
ONLY**



THIRD ANGLE PROJECTION



SECTION A-A