



DOUGHTY ENGINEERING LTD

# DATA SHEET

**TITLE:** ADAPTOR TV-STANDARD  
29MM - 19MM

**PART NOS:**  
T74000

**MATERIAL:**

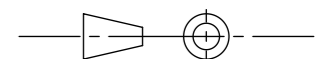
**WEIGHT:** STEEL

**SWL:**

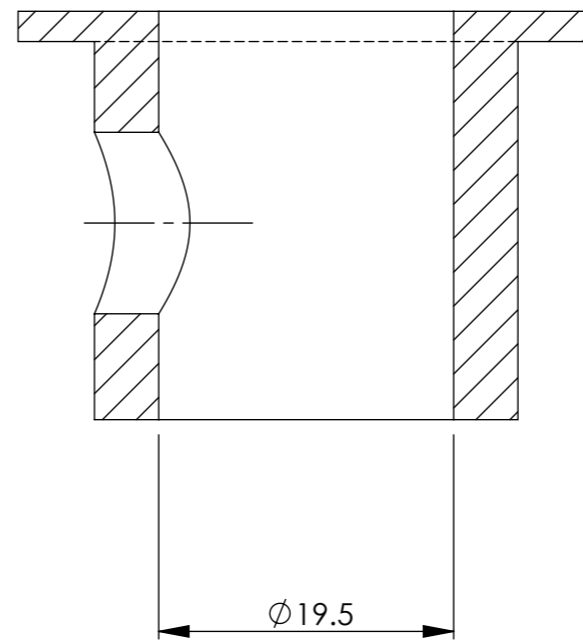
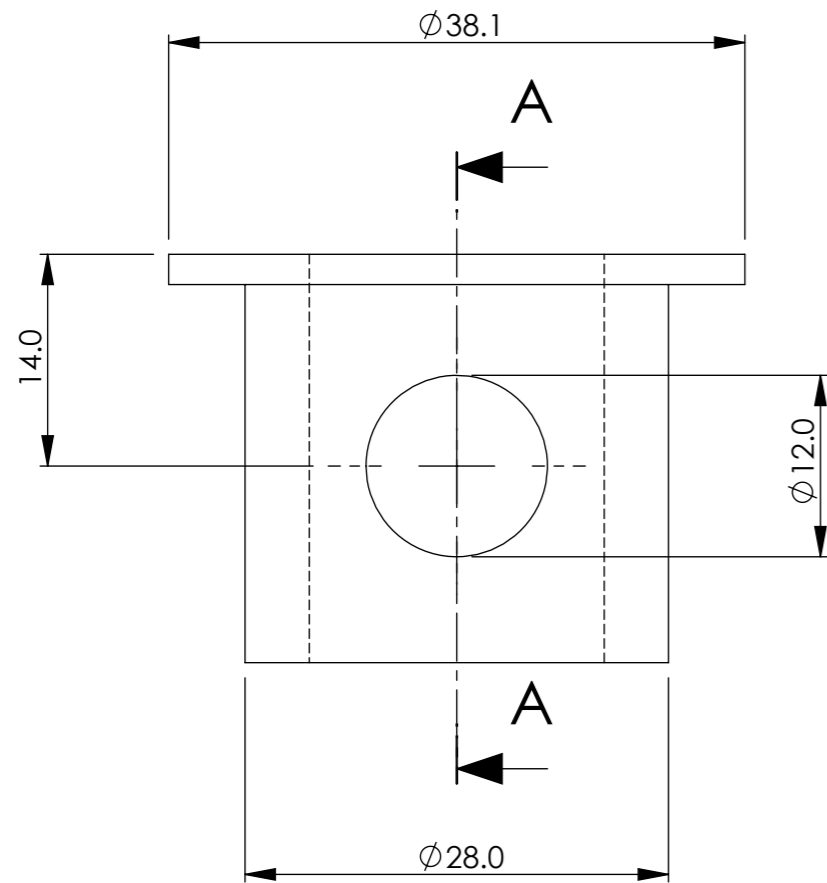
**FINISH:** BZP

**NOTES:**

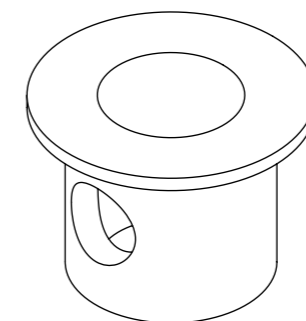
**STRICTLY  
FOR  
REFERENCE  
PURPOSES  
ONLY**



THIRD ANGLE PROJECTION



SECTION A-A





DOUGHTY ENGINEERING LTD

# DATA SHEET

**TITLE:** ADAPTOR TV-MINI 29MM - 16MM

**PART NOS:**  
T74100

**MATERIAL:**

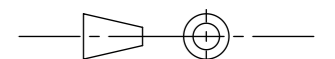
**WEIGHT:** STEEL

**SWL:**

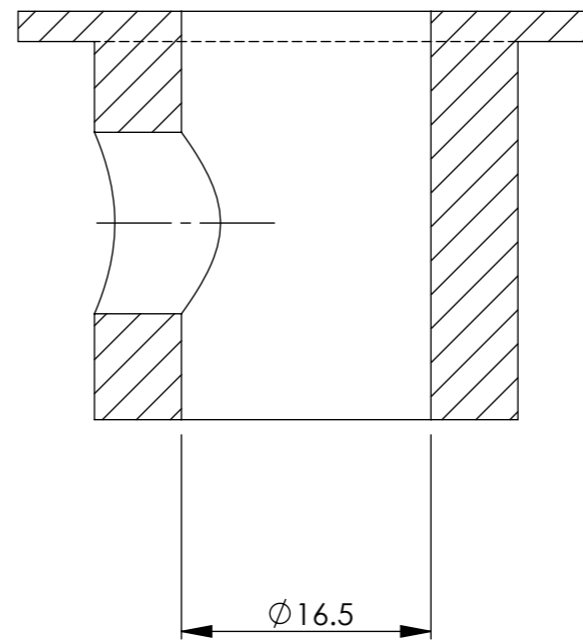
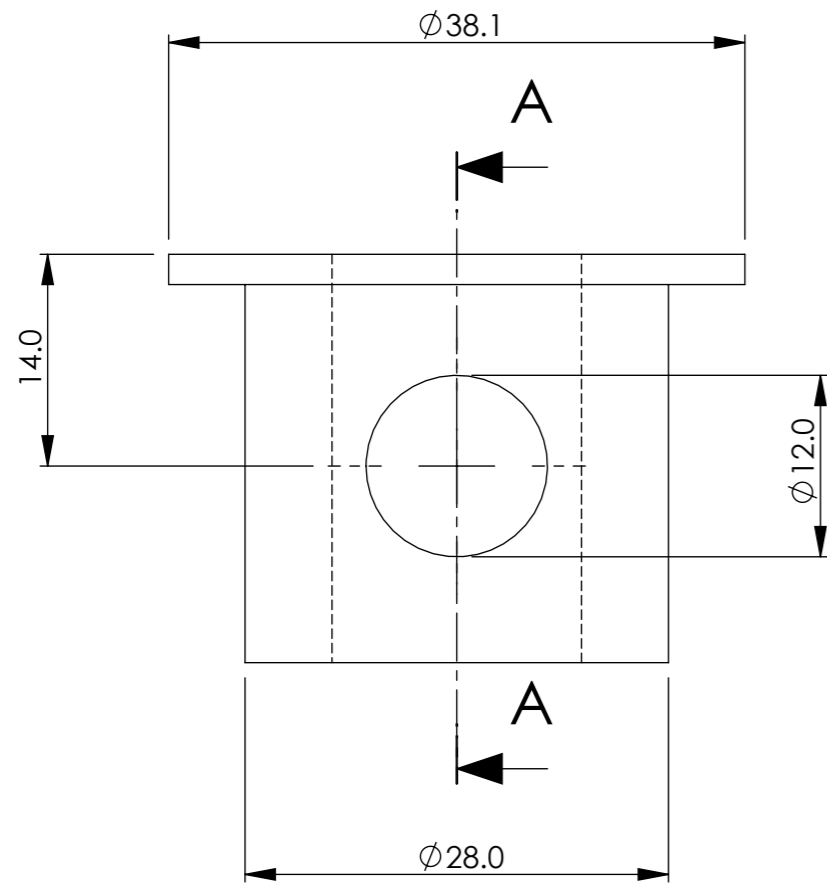
**FINISH:** BZP

**NOTES:**

**STRICTLY FOR REFERENCE PURPOSES ONLY**



THIRD ANGLE PROJECTION



SECTION A-A

