



DOUGHTY ENGINEERING LTD

DATA SHEET

TITLE: M10 SPIGOT CAP

PART NOS:
T73102

MATERIAL:
STEEL

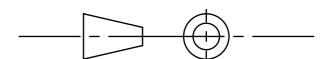
WEIGHT:

SWL:

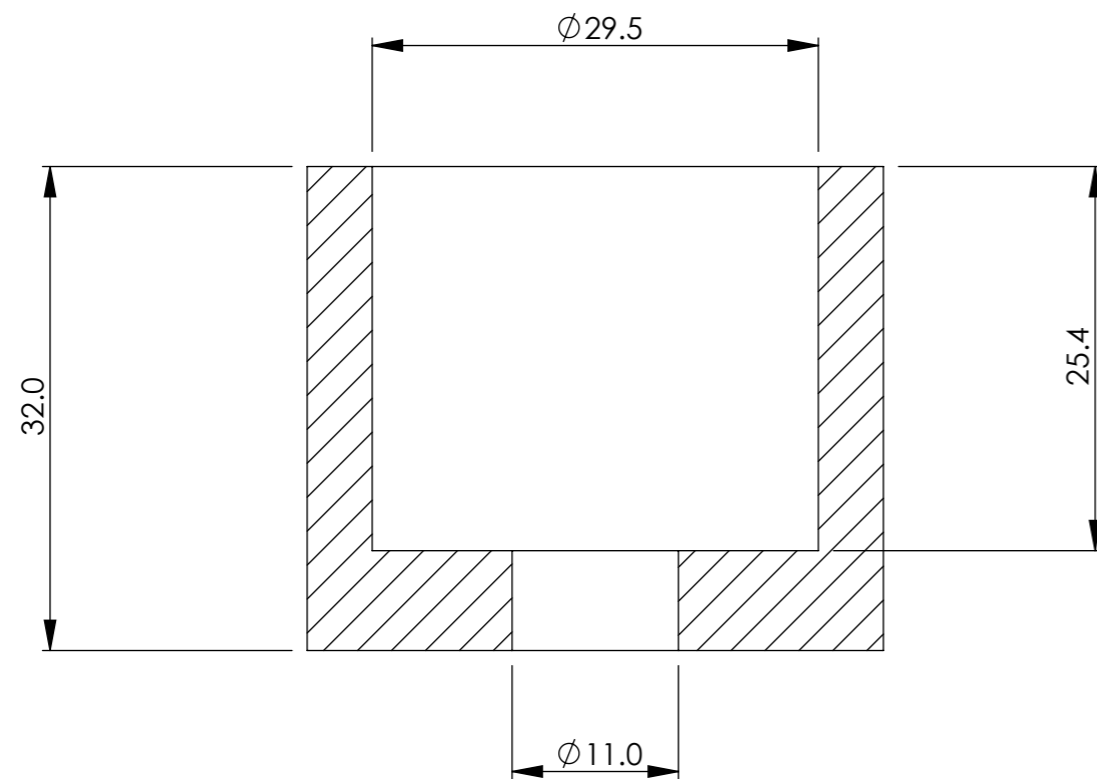
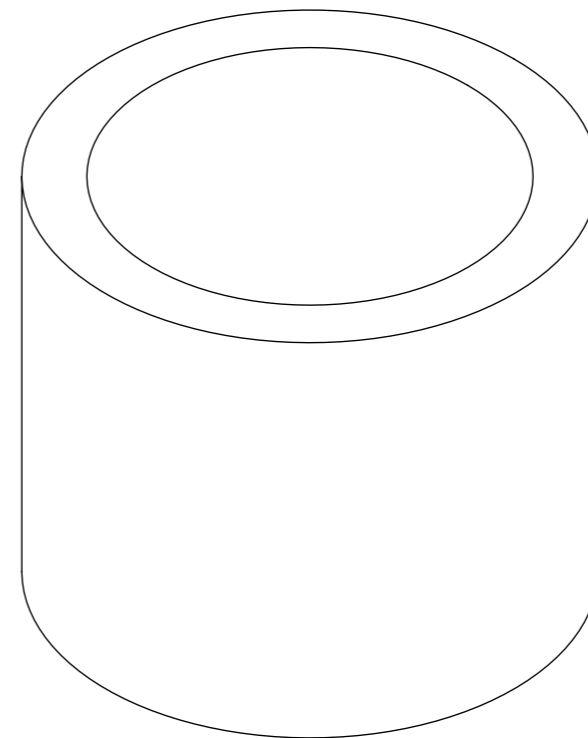
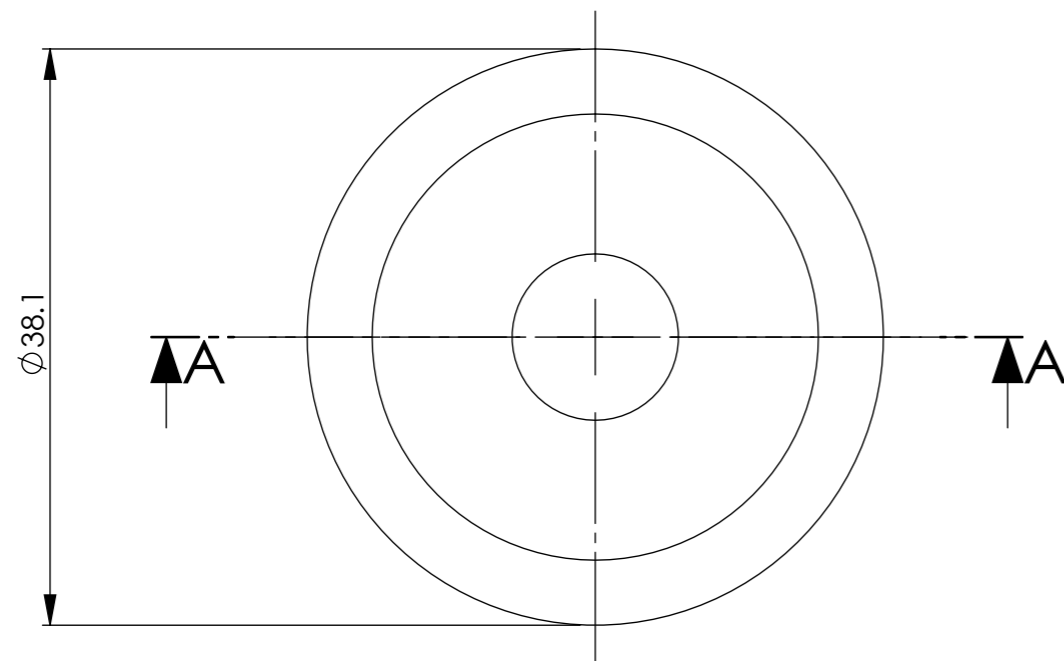
FINISH:
CHROME PLATED

NOTES:

**STRICTLY
FOR
REFERENCE
PURPOSES
ONLY**



THIRD ANGLE PROJECTION



SECTION A-A