



DOUGHTY ENGINEERING LTD

## DATA SHEET

**TITLE:**  
M10 TV SPIGOT WITH  
FOLLOWSPOT PLATE (EURO SPEC)

**PART NOS:**  
  
T72700

**MATERIAL:**  
  
STEEL

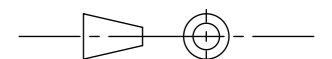
**WEIGHT:**

**SWL:**

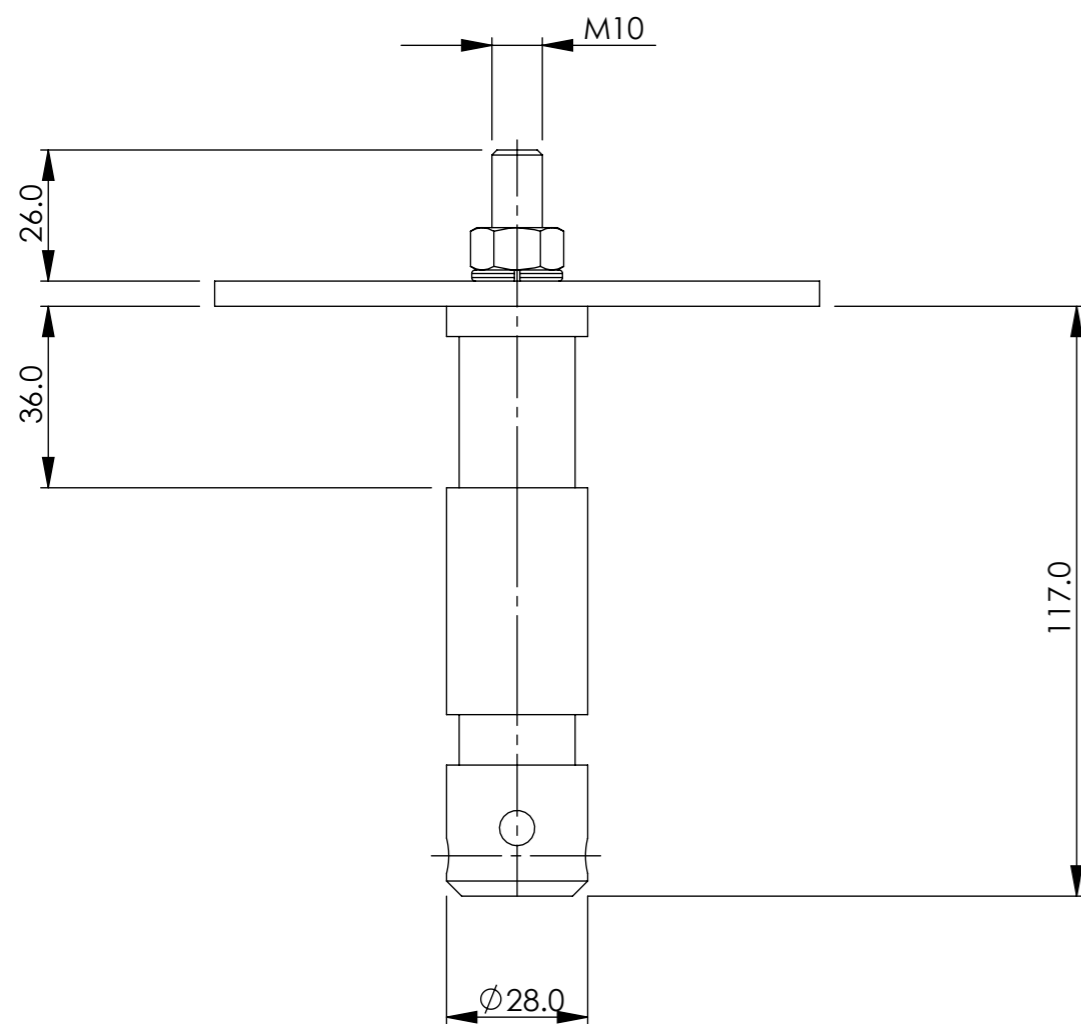
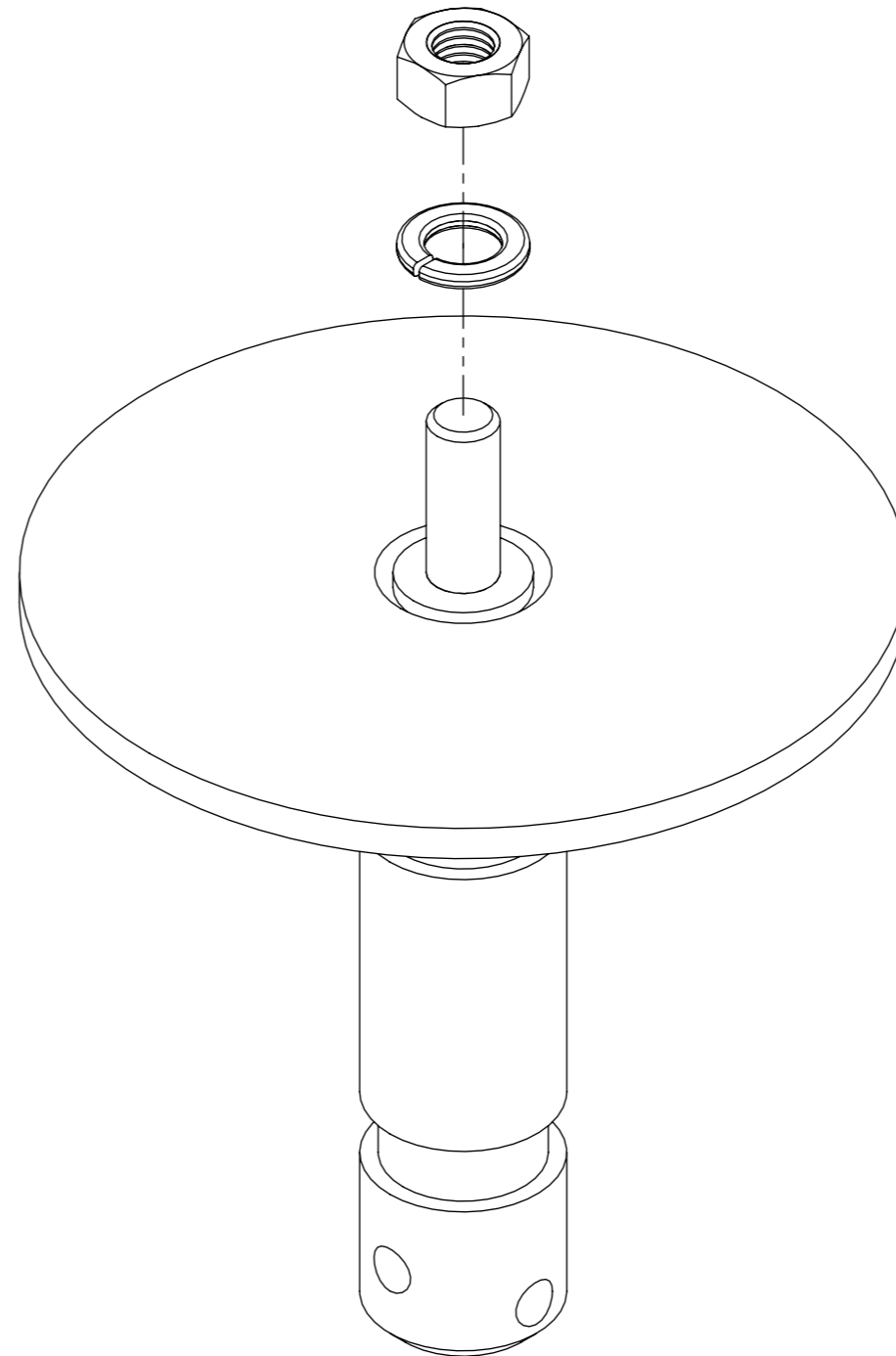
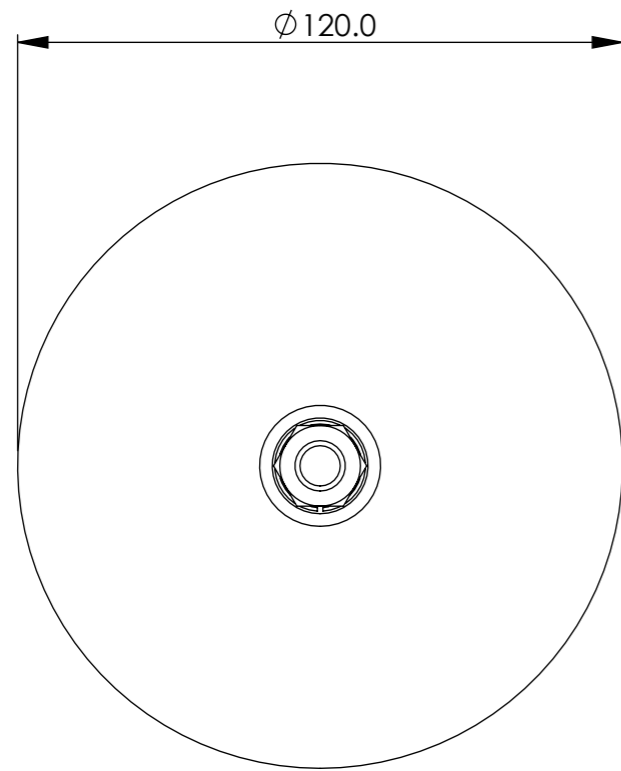
**FINISH:**  
  
CHROME PLATED

**NOTES:**

**STRICTLY  
FOR  
REFERENCE  
PURPOSES  
ONLY**



THIRD ANGLE PROJECTION





DOUGHTY ENGINEERING LTD

## DATA SHEET

**TITLE:**  
M10 TV SPIGOT WITH  
FOLLOWSPOT PLATE (DIN SPEC)

**PART NOS:**  
  
T72800

**MATERIAL:**  
  
STEEL

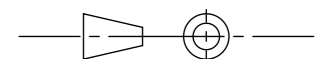
**WEIGHT:**

**SWL:**

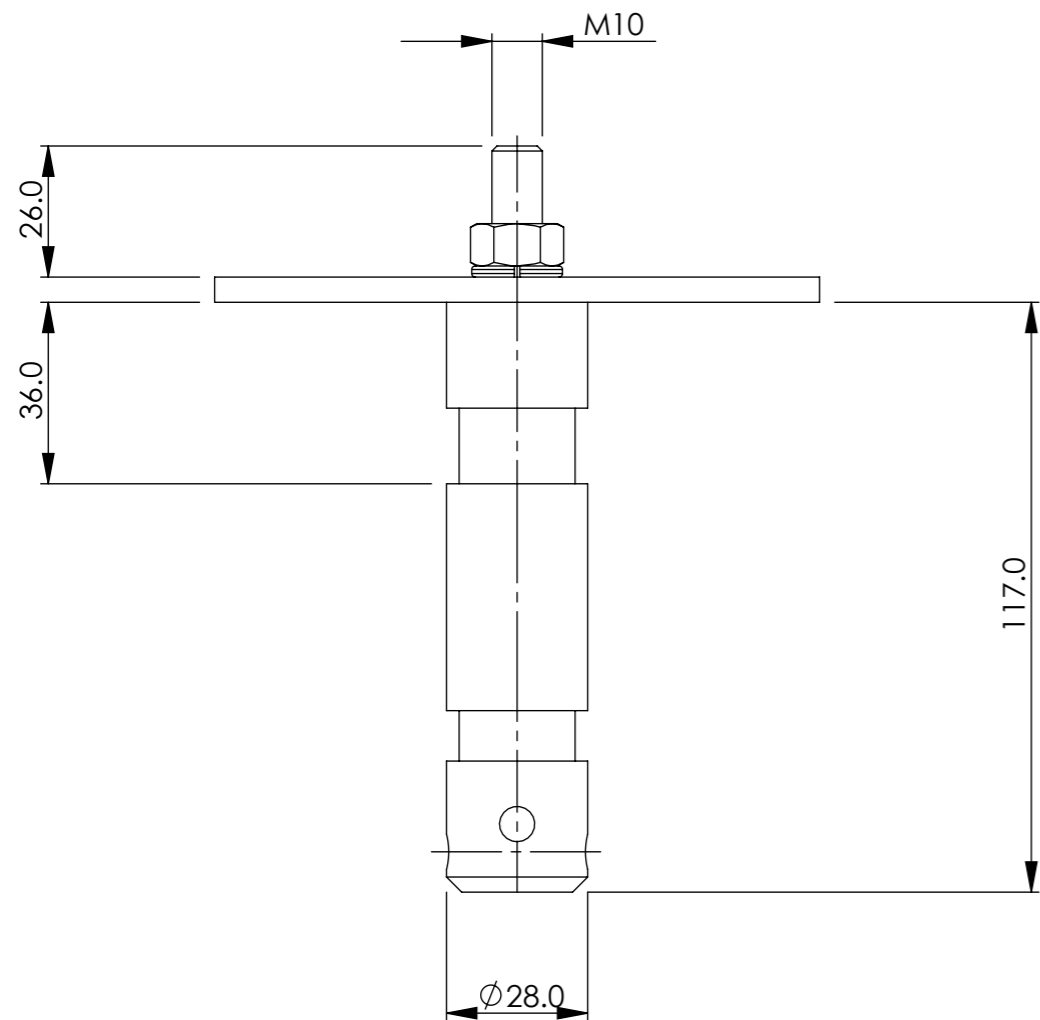
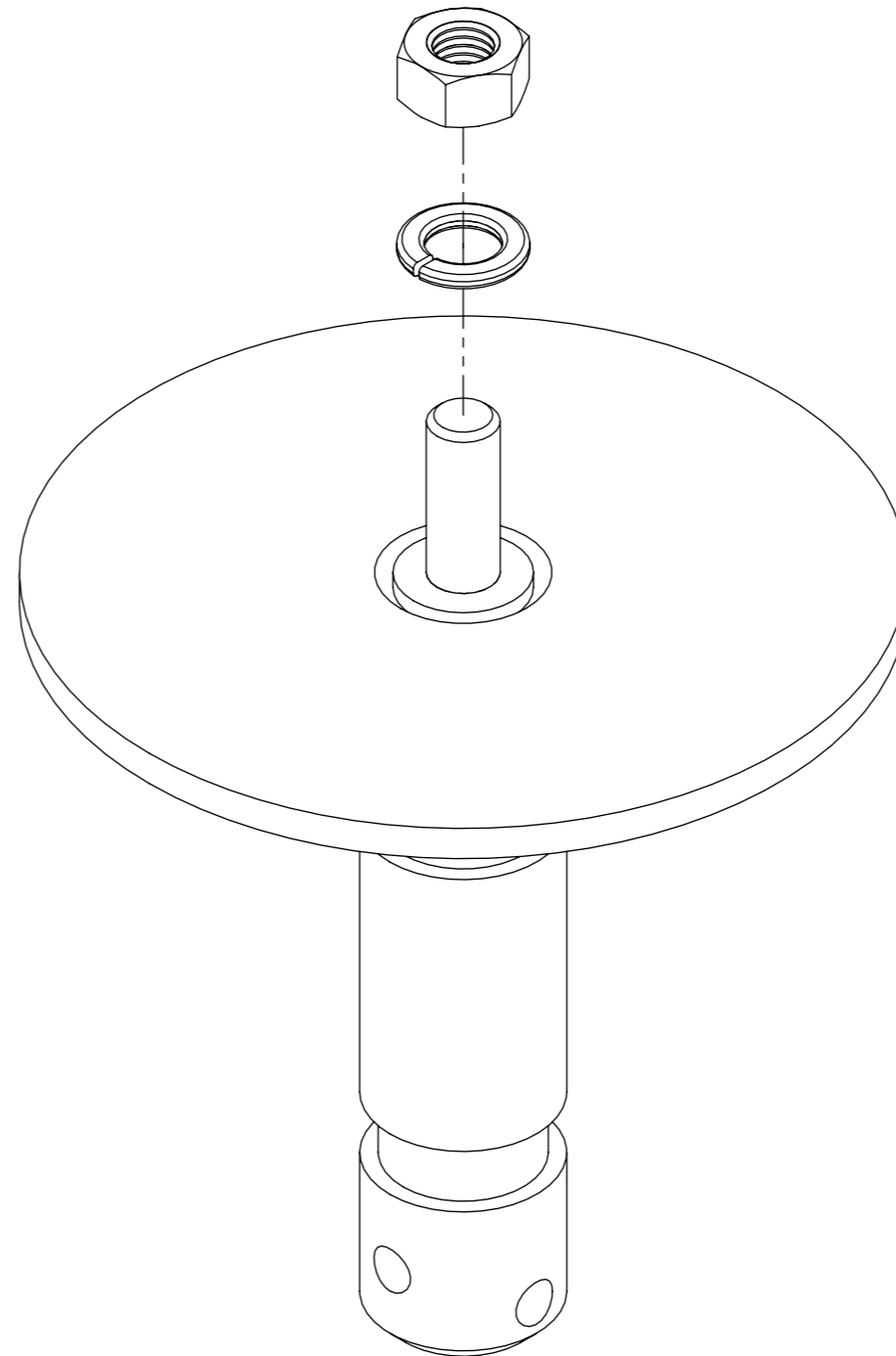
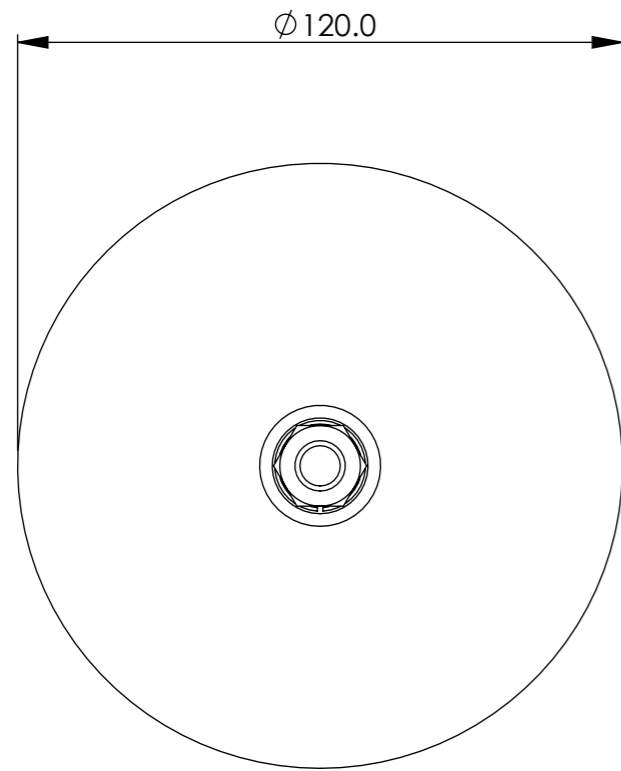
**FINISH:**  
  
CHROME PLATED

**NOTES:**

**STRICTLY  
FOR  
REFERENCE  
PURPOSES  
ONLY**



THIRD ANGLE PROJECTION





DOUGHTY ENGINEERING LTD

# DATA SHEET

**TITLE:**  
M12 TV SPIGOT WITH  
FOLLOWSPOT PLATE (DIN SPEC)

**PART NOS:**  
  
T72900

**MATERIAL:**  
  
STEEL

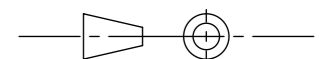
**WEIGHT:**

**SWL:**

**FINISH:**  
  
CHROME PLATED

**NOTES:**

**STRICTLY  
FOR  
REFERENCE  
PURPOSES  
ONLY**



THIRD ANGLE PROJECTION

