



User Manual

www.doughty-engineering.co.uk

T57214 / T57215 & T55710 / T55715

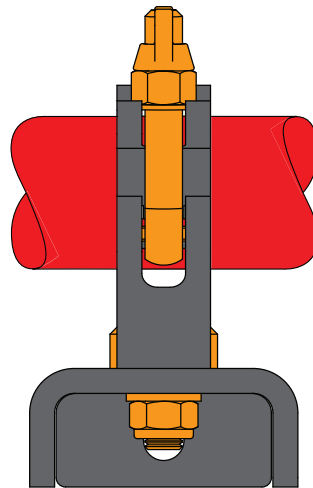
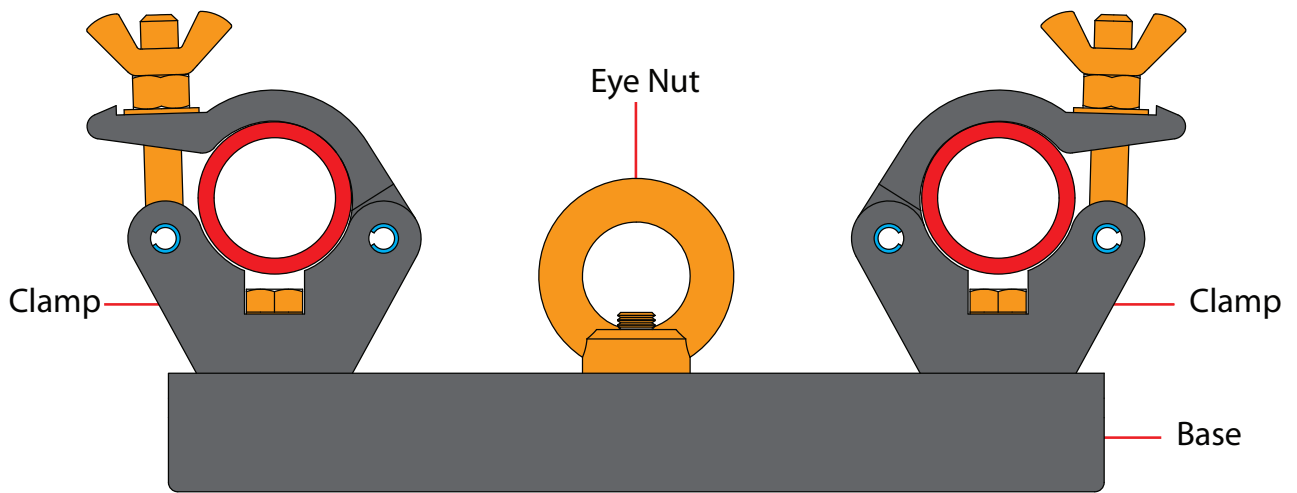
Hanging Truss Adaptor & Heavy Duty Hanging Truss Adaptor



Version 06/11

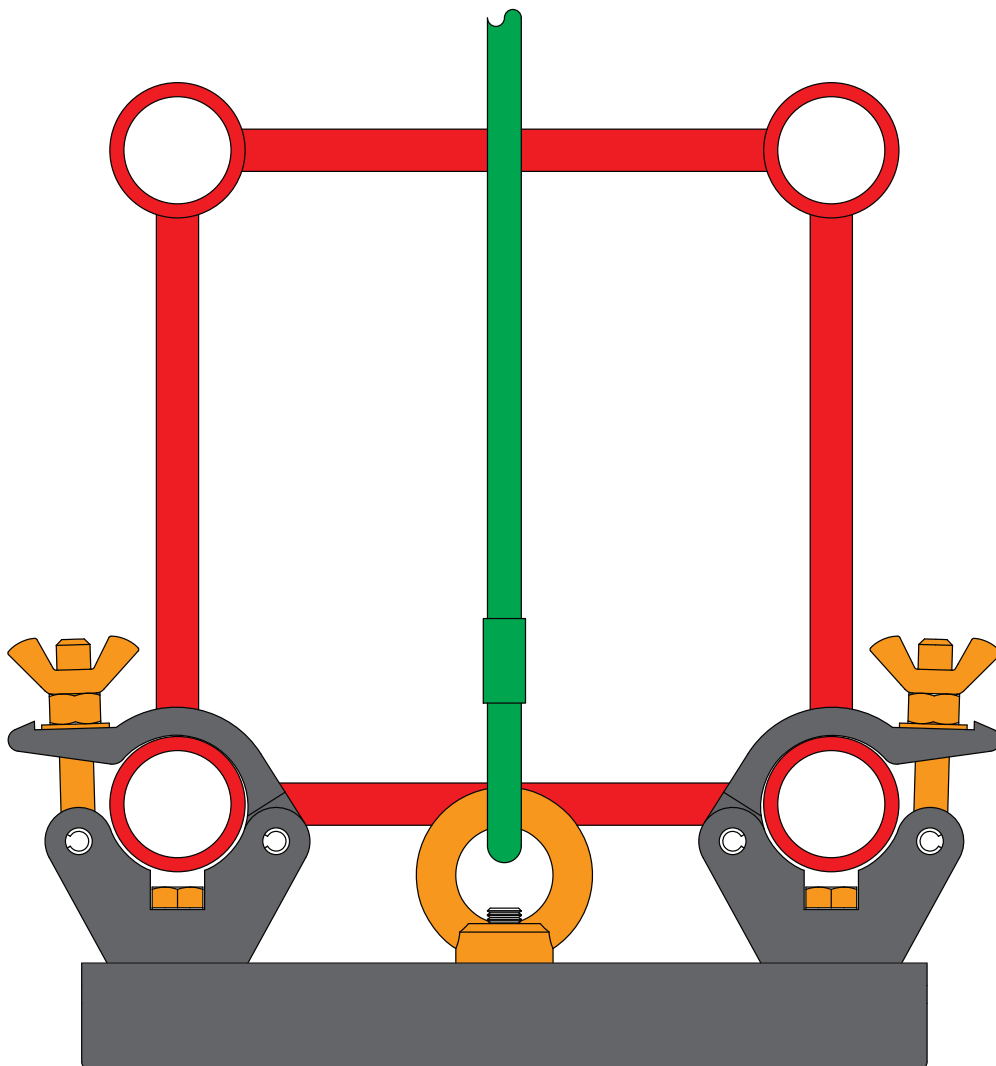


www.doughty-engineering.co.uk



1. Never exceed the Safe Working Load (SWL) shown on the data sheet.
2. Only use the clamp within the designed tube parameters (48-51mm)
3. All clamps should be visually inspected before use. In the event of any damage the clamp should be taken out of service and returned to an 'Approved Doughty Service Agent' for inspection. (see our dealer locator on our web site for a comprehensive list of Authorised Service Agents)
4. When used in conjunction with other accessories, care must be taken to ensure that the minimum SWL of any component is not exceeded.
5. Doughty Engineering Ltd does not recommend using any clamps which do not fully encompass the tube for overhanging.

The Hanging Truss and Heavy Duty Hanging Truss have been designed specifically to suspend triangular and square sections from their Eye nut.

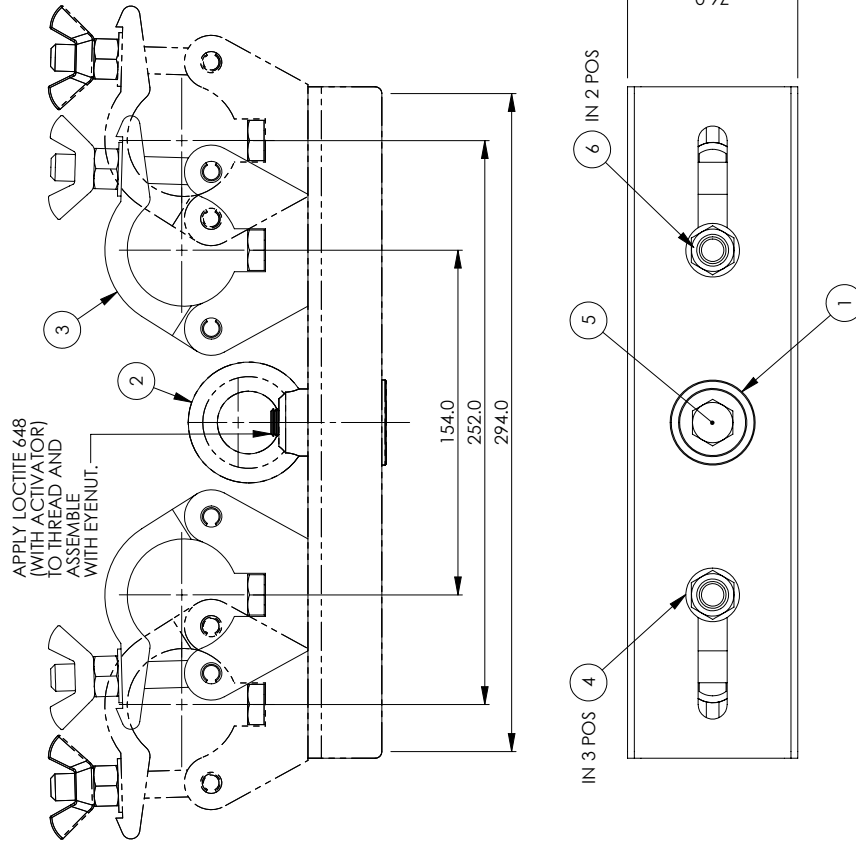


ALL DIMENSIONS IN MM

IF IN DOUBT ASK

A3 ORIGINAL

ITEM NO.	PART NUMBER	DESCRIPTION	Default/Qty.
1	TH706	TRUSS ADAPTOR 150 - 250mm CTRS	1
2	T42300	M12 EYENUT (340kg SWL)	1
3	F57001	SLIMLINE DOUGHTY CLAMP 30MM	2
4	F894	M12 FLT A WASHER	3
5	F831	M12 X 25 SET BZP	1
6	F873A	M12 NYLOC P-TYPE	2
7	F834	M12 X 40 HEX SET	2



DOUGHTY ENGINEERING LTD



THIRD ANGLE PROJECTION

NOTES:

SAFE WORKING LOAD = 200 Kg
WEIGHT = 2.6Kg

TOLERANCES:

- UNLESS STATED OTHERWISE
- X = + OR - 0.50MM
- .XX = + OR - 0.25MM
- .XXX = + OR - 0.10MM
- HOLES = + OR - 0.1MM
- REMOVE ALL BURRS & SHARP EDGES

USED ON	N/A
DATE	30/04/2007
DRAWN	JW
CHKD	MC
SCALE	1:2
MATERIAL	N/A
FINISH	REGAL SILVER
TITLE	FIXED POINT TRUSS ADAPTOR 150-250mm CTRS

DWG NO	157214	SHEET 1 OF 1
--------	--------	--------------

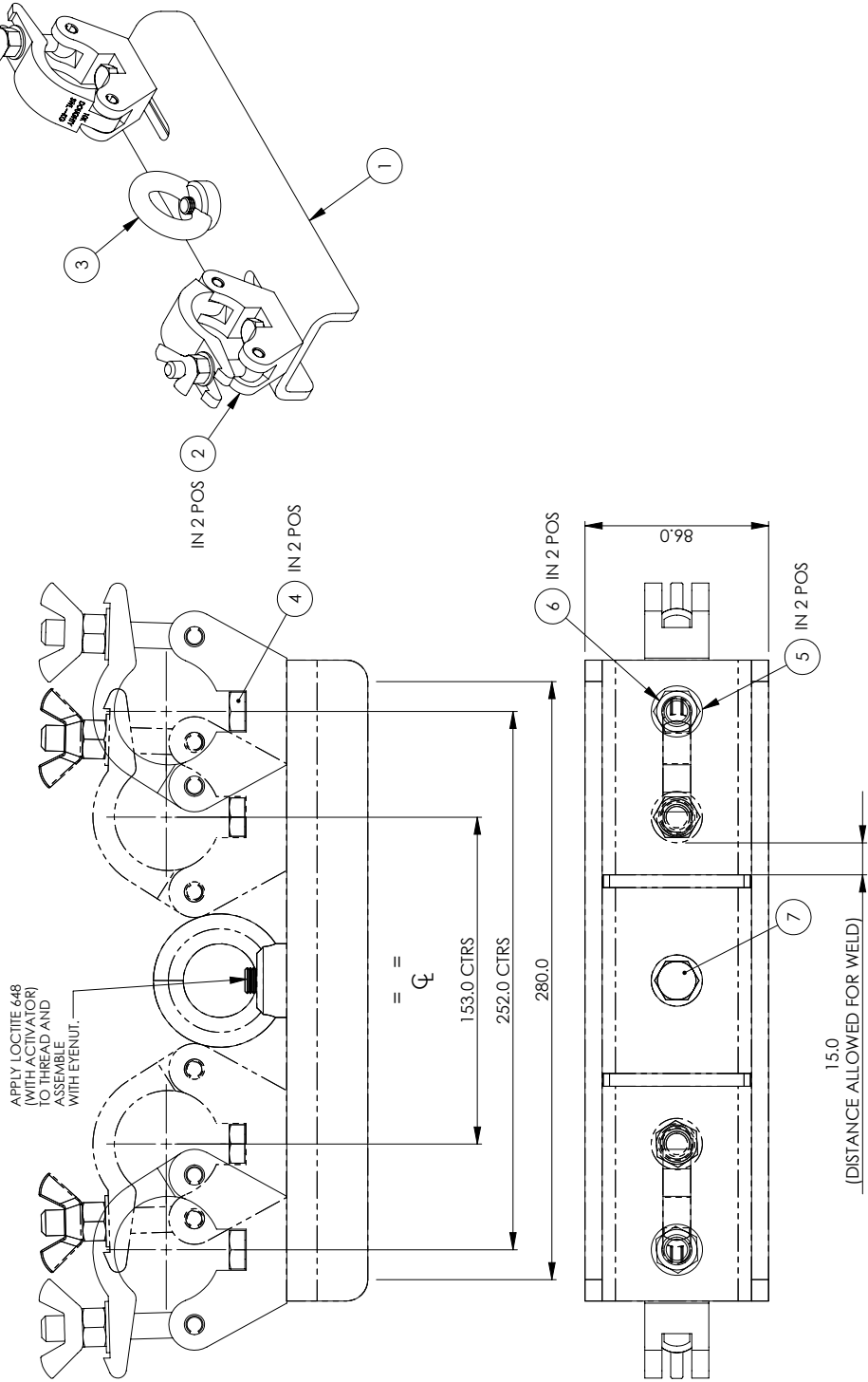
1	ISS	RELEASED FOR PRODUCTION	02/05/2007	JW
		ADMENDMENTS	DATE	SIG

ALL DIMENSIONS IN MM

IF IN DOUBT ASK

A3 ORIGINAL

ITEM NO.	PART NUMBER	DESCRIPTION	Default/Qty.
1	TH689	HEAVY DUTY FIXED POINT TRUSS PLATE 150mm TO 250mm CTRS - WELDED ASSY	1
2	T57001	SLIMLINE DOUGHTY CLAMP 30MM	2
3	T42305	M12 EYENUT (500Kg SWL)	1
4	F835	M12 X 45 SET BZP	2
5	F894	M12 FLT A WASHER	3
6	F873A	M12 NYLOC P-TYPE	2
7	F832	M12 X 30 HEX SET BZP	1



DOUGHTY ENGINEERING LTD

THIRD ANGLE PROJECTION

NOTES:

TOLERANCES:
 UNLESS STATED OTHERWISE
 X = + OR - 0.50MM
 .XX = + OR - 0.25MM
 .XXX = + OR - 0.10MM
 HOLES = + OR - 0.1MM
 REMOVE ALL BURRS
 & SHARP EDGES

USED ON N/A

DATE 19/12/2006

DRAWN JW

CHKD MC

SCALE 1:2

MATERIAL

FINISH SILVER

TITLE
 HEAVY DUTY FIXED POINT TRUSS
 PLATE 150mm TO 250mm CTRS

DWG NO T55710

SHEET 1 OF 1

2	SEE CHANGE NOTE CN688	03/05/2007	JW
ISS	ADDITIONS	DATE	SIG

SAFE WORKING LOAD (SWL) 500KG.



Doughty Engineering Limited

CROW ARCH LANE, RINGWOOD, HANTS, BH24 1NZ. ENGLAND

Telephone: +44 (0) 1425 478961 Fax: +44 (0) 1425 474481

www.doughty-engineering.co.uk

email:sales@doughty-engineering.co.uk

EC DECLARATION OF CONFORMITY

Doughty Engineering Limited hereby certify that the equipment stated below has been designed to comply with all relevant sections of the specifications referenced below and complies with all the applicable Essential Requirements of the EC Directives and amendments and the National Laws and Regulations adopting these Directives.

Description: Hanging Truss Adaptor

Model/s: Part No. T57214 / T57219

SWL: 200Kg **Factor:** 5:1

are in conformity with the provision of the following EC Directives:

MACHINERY DIRECTIVE 98/37/EC

Harmonised Standards applied:

EN 292-1-2:1991

BS EN ISO 9001:1994

National Technical Standards & Specifications applied:

BS 7905-1:2001

Signed:

A handwritten signature in black ink, appearing to read "S. Wright".

Date:15-08-2011

Name: Stephen Wright

Position: Director

Being the responsible person appointed by the manufacturer.



DEQ 083 Rev 4

Company Registration No. London 972614
Registered Office: Crow Arch Lane, Ringwood, Hants, BH24 1NZ
Directors: M.B.Lister. J.C.G. Chiverton. N.D. Curtis. S.C. Wright





Doughty Engineering Limited

CROW ARCH LANE, RINGWOOD, HANTS, BH24 1NZ. ENGLAND

Telephone: +44 (0) 1425 478961 Fax: +44 (0) 1425 474481

www.doughty-engineering.co.uk

email:sales@doughty-engineering.co.uk

EC DECLARATION OF CONFORMITY

Doughty Engineering Limited hereby certify that the equipment stated below has been designed to comply with all relevant sections of the specifications referenced below and complies with all the applicable Essential Requirements of the EC Directives and amendments and the National Laws and Regulations adopting these Directives.

Description: Heavy Duty Hanging Truss Adaptor

Model/s: Part No. T55710 / T55715

SWL: 500Kg **Factor:** 5:1

are in conformity with the provision of the following EC Directives:

MACHINERY DIRECTIVE 98/37/EC

Harmonised Standards applied:

EN 292-1-2:1991

BS EN ISO 9001:1994

National Technical Standards & Specifications applied:

BS 7905-1:2001

Signed:

Date:15-08-2011

Name: Stephen Wright

Position: Director

Being the responsible person appointed by the manufacturer.



DEQ 083 Rev 4

Company Registration No. London 972614
Registered Office: Crow Arch Lane, Ringwood, Hants, BH24 1NZ
Directors: M.B.Lister. J.C.G. Chiverton. N.D. Curtis. S.C. Wright





Doughty Engineering Ltd

Crow Arch Lane

Ringwood, Hampshire, BH24 1NZ

Tel: +44 (0) 1425 478961 Fax: +44 (0) 1425 474481

email: sales@doughty-engineering.co.uk

Web: www.doughty-engineering.co.uk

Note: Whilst every effort has been made to ensure that the information contained within this manual is correct, Doughty Engineering does not accept any liability for errors or omissions. Specifications and technical data are intended for guidance purposes only and may vary.