



User Manual

www.doughty-engineering.co.uk

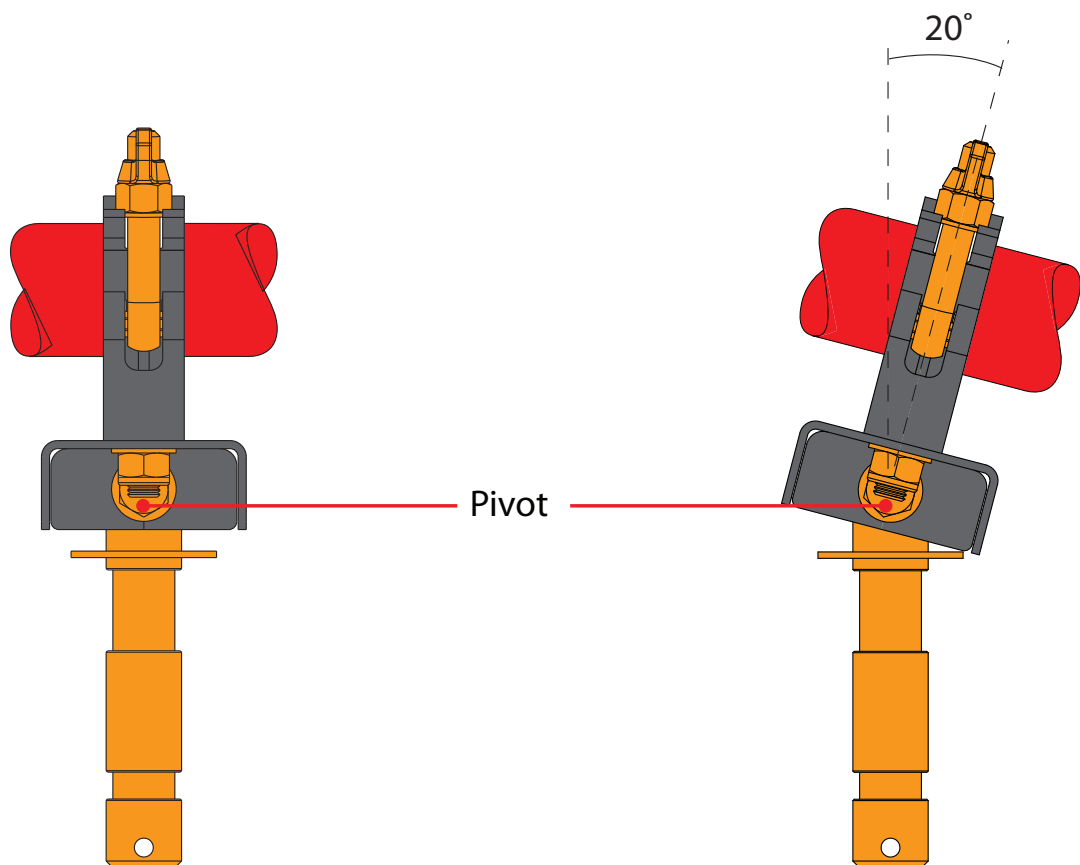
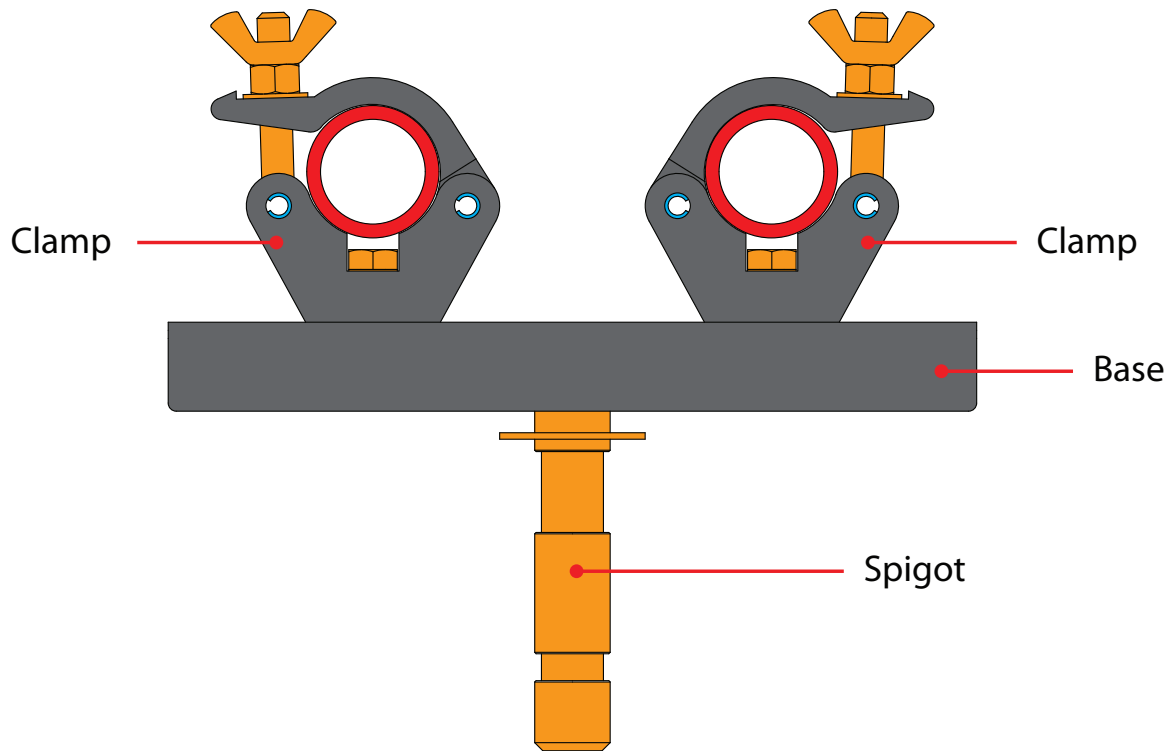
T55704 / T55705 Swivel Truss Adaptor



Version 06/11

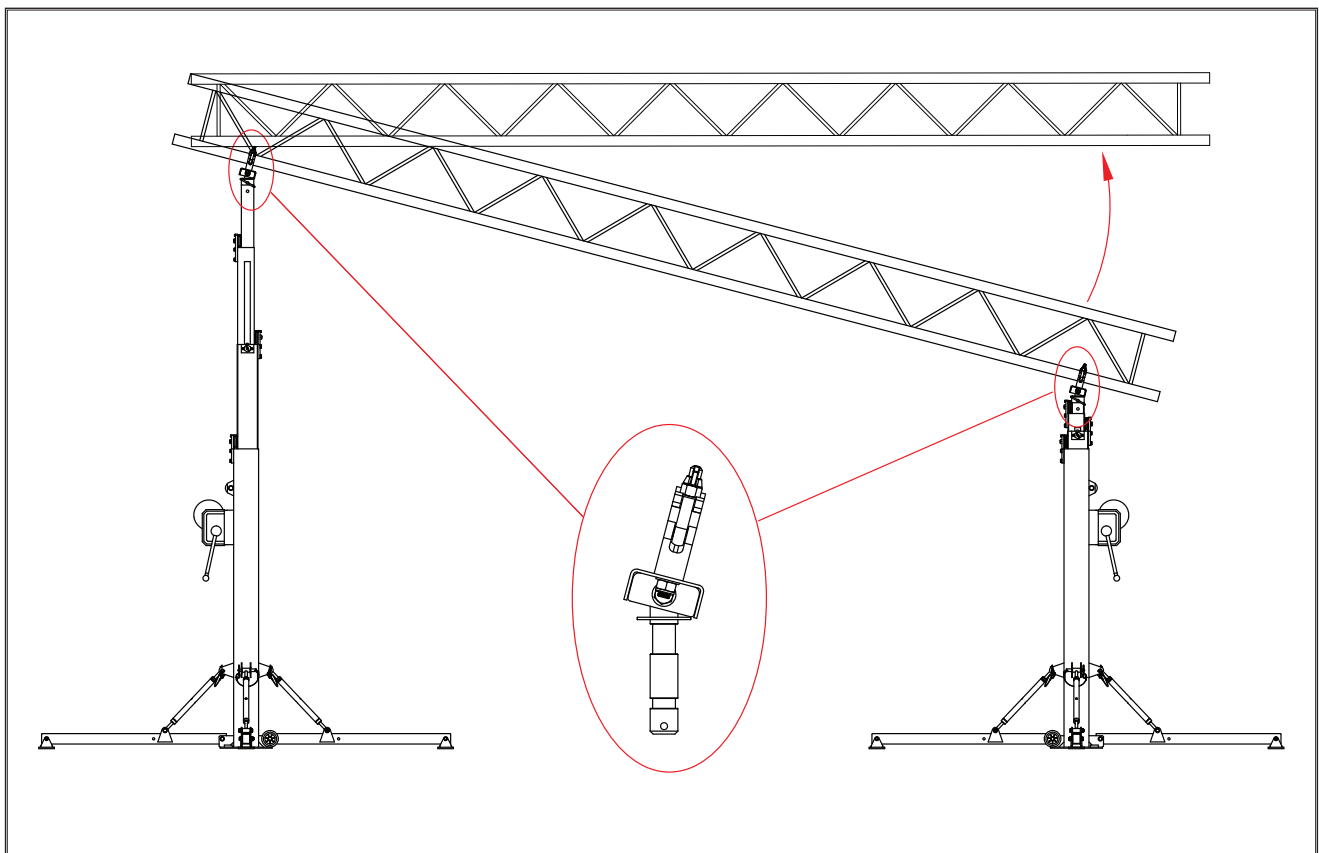


www.doughty-engineering.co.uk



1. Never exceed the Safe Working Load (SWL) shown on the data sheet.
2. Only use the clamp within the designed tube parameters (48-51mm)
3. All clamps should be visually inspected before use. In the event of any damage the clamp should be taken out of service and returned to an 'Approved Doughty Service Agent' for inspection. (see our dealer locator on our web site for a comprehensive list of Authorised Service Agents)
4. When used in conjunction with other accessories, care must be taken to ensure that the minimum SWL of any component is not exceeded.
5. Doughty Engineering Ltd does not recommend using any clamps which do not fully encompass the tube for overhanging. All open clamps including hookclamps should be used in a vertical orientation only.

The Swivel Truss Adaptor is suitable for all triangular and square truss sections. It allows one person to rig a truss between two winch stands. Each stand can be raised individually until the required height is achieved.

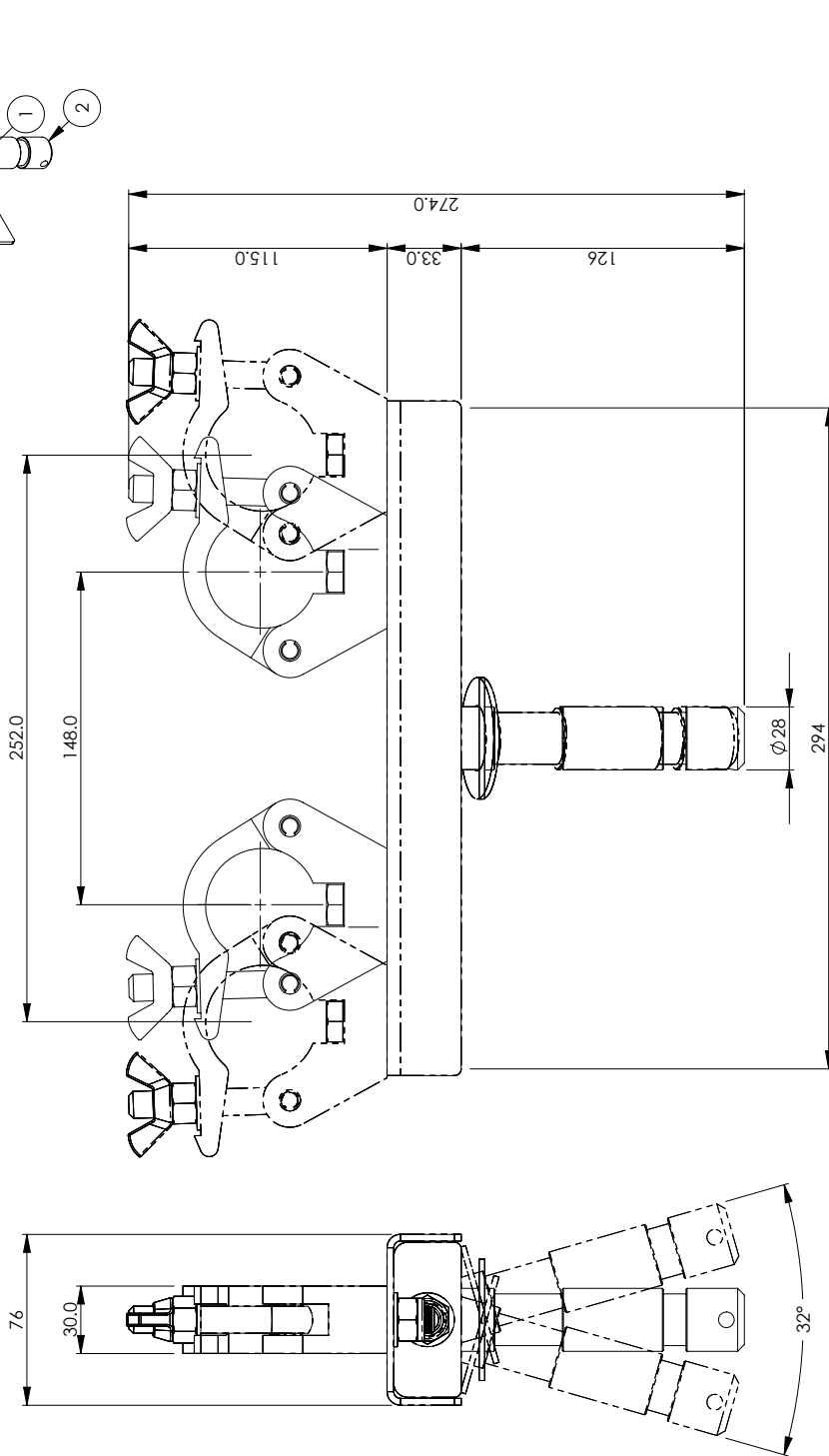


ALL DIMENSIONS IN MM

IF IN DOUBT ASK

A3 ORIGINAL

ITEM NO.	PART NUMBER	DESCRIPTION	Default/Qty.
1	TH713	SWIVEL TRUSS PLATE 150 - 250 CTRS	1
2	TH190-1	TRUSS PLATE SPIGOT (EURO SPEC)	1
3	F893	M12 FLT B WASHER BZP	4
4	F2522	M12 x 60 BOLT	1
5	F873A	M12 NYLOC P-TYPE	3
6	T57001	SLIMLINE DOUGHTY CLAMP 30MM	2
7	F834	M12 X 40 HEX SET	2



DOUGHTY ENGINEERING LTD



THIRD ANGLE PROJECTION

NOTES:

WEIGHT 2.5Kg
 SWL 200kg
 150 - 250mm CTRS

TOLERANCES:
 UNLESS STATED OTHERWISE
 .X = + OR - 0.50MM
 .XX = + OR - 0.25MM
 .XXX = + OR - 0.10MM
 HOLES = + OR - 0.1MM
 REMOVE ALL BURRS
 & SHARP EDGES

USED ON	N/A
DATE	03/05/2007
DRAWN	JW
CHKD	MC
SCALE	1:2
MATERIAL	MILD STEEL S275MS
FINISH	REGAL SILVER

TITLE
 SWIVEL TRUSS PLATE 150 - 250
 CTRS

DWG NO 155704
 SHEET 1 OF 1

1	ISS				
		NEW DRAWING	23/05/2007	MC	SIG
		AMENDMENTS	DATE		



Doughty Engineering Limited

CROW ARCH LANE, RINGWOOD, HANTS, BH24 1NZ. ENGLAND
Telephone: +44 (0) 1425 478961 Fax: +44 (0) 1425 474481
www.doughty-engineering.co.uk
email:sales@doughty-engineering.co.uk

EC DECLARATION OF CONFORMITY

Doughty Engineering Limited hereby certify that the equipment stated below has been designed to comply with all relevant sections of the specifications referenced below and complies with all the applicable Essential Requirements of the EC Directives and amendments and the National Laws and Regulations adopting these Directives.

Description: Swivel Truss Adaptor

Model/s: Part No. T55704 / T55705

SWL: 200Kg **Factor:** 5:1

are in conformity with the provision of the following EC Directives:

MACHINERY DIRECTIVE 98/37/EC

Harmonised Standards applied:

EN 292-1-2:1991

BS EN ISO 9001:1994

National Technical Standards & Specifications applied:

BS 7905-1:2001

Signed:

A handwritten signature in black ink, appearing to read "S. Wright".

Date:15-08-2011

Name: Stephen Wright

Position: Director

Being the responsible person appointed by the manufacturer.



DEQ 083 Rev 4

Company Registration No. London 972614
Registered Office: Crow Arch Lane, Ringwood, Hants, BH24 1NZ
Directors: M.B.Lister. J.C.G. Chiverton. N.D. Curtis. S.C. Wright





Doughty Engineering Ltd

Crow Arch Lane

Ringwood, Hampshire, BH24 1NZ

Tel: +44 (0) 1425 478961 Fax: +44 (0) 1425 474481

email: sales@doughty-engineering.co.uk

Web: www.doughty-engineering.co.uk

Note: Whilst every effort has been made to ensure that the information contained within this manual is correct, Doughty Engineering does not accept any liability for errors or omissions. Specifications and technical data are intended for guidance purposes only and may vary.