



DOUGHTY ENGINEERING LTD

DATA SHEET

TITLE: ZENITH 520T

PART NOS: T55582

MATERIAL: STEEL

WEIGHT: 76KG

SWL: 200KG

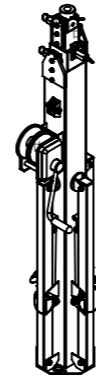
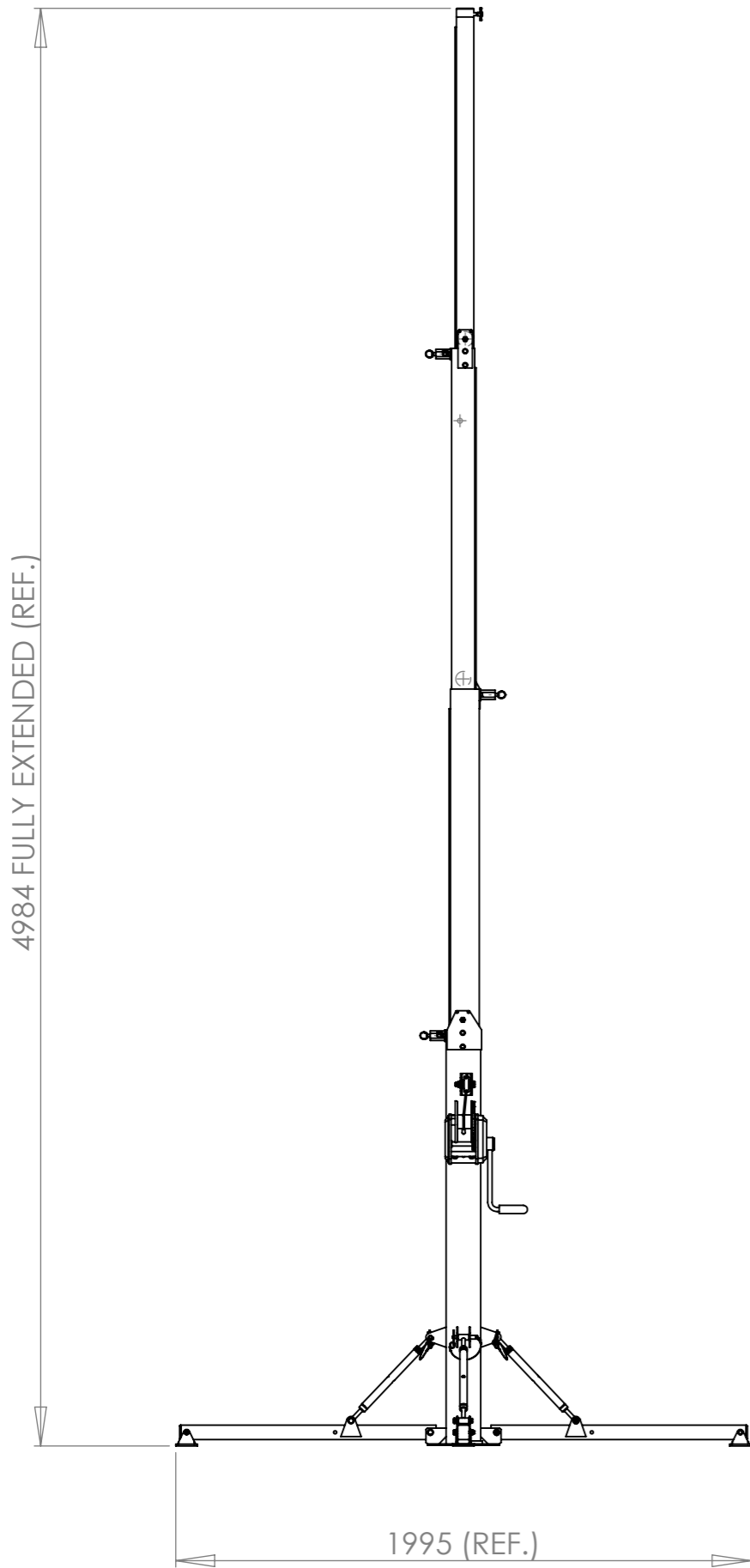
FINISH: BLACK

NOTES:

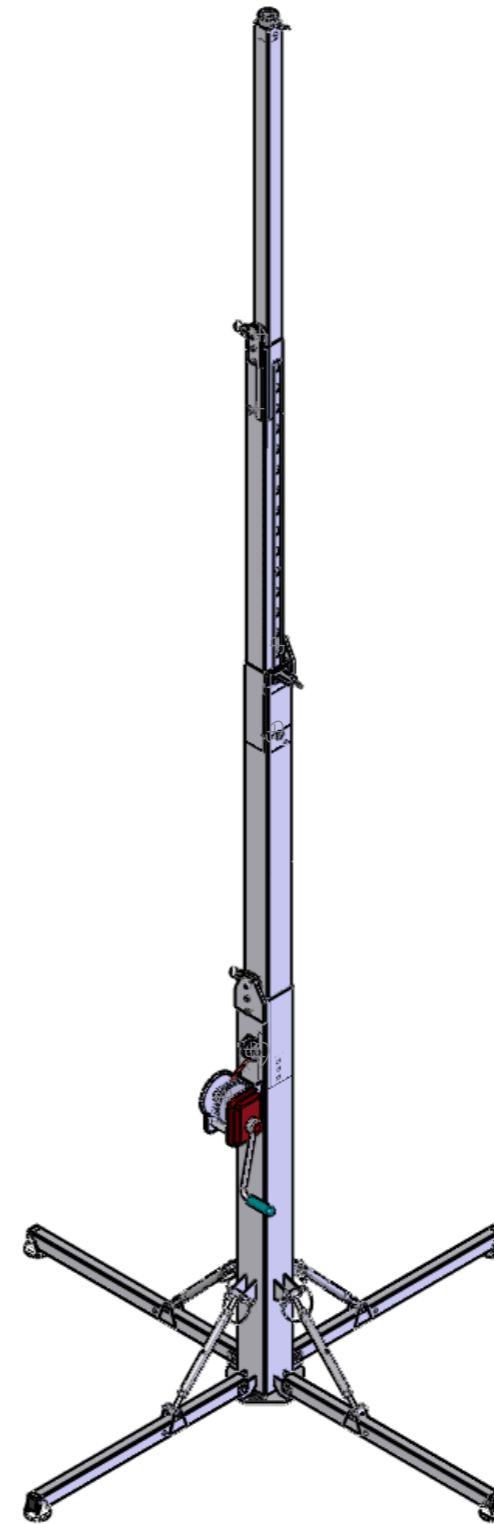
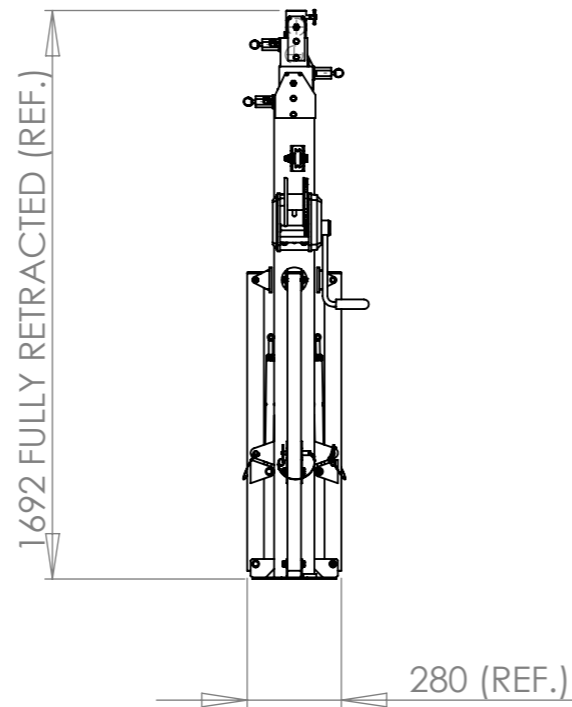
STRICTLY FOR REFERENCE PURPOSES ONLY



THIRD ANGLE PROJECTION



STAND IN FULLY RETRACTED POSITION WITH LEGS IN STORAGE POSITION



STAND IN FULLY EXTENDED POSITION

1		16/10/2008	AW
ISS	ADMENDMENTS	DATE	SIG