



DOUGHTY ENGINEERING LTD

# DATA SHEET

**TITLE:**  
LOCKING ELBOW

**PART NOS:**  
T58790  
T58791  
T58792  
T58793

**MATERIAL:**  
ALUMINIUM

**WEIGHT:**  
0.72 KG

**SWL:**

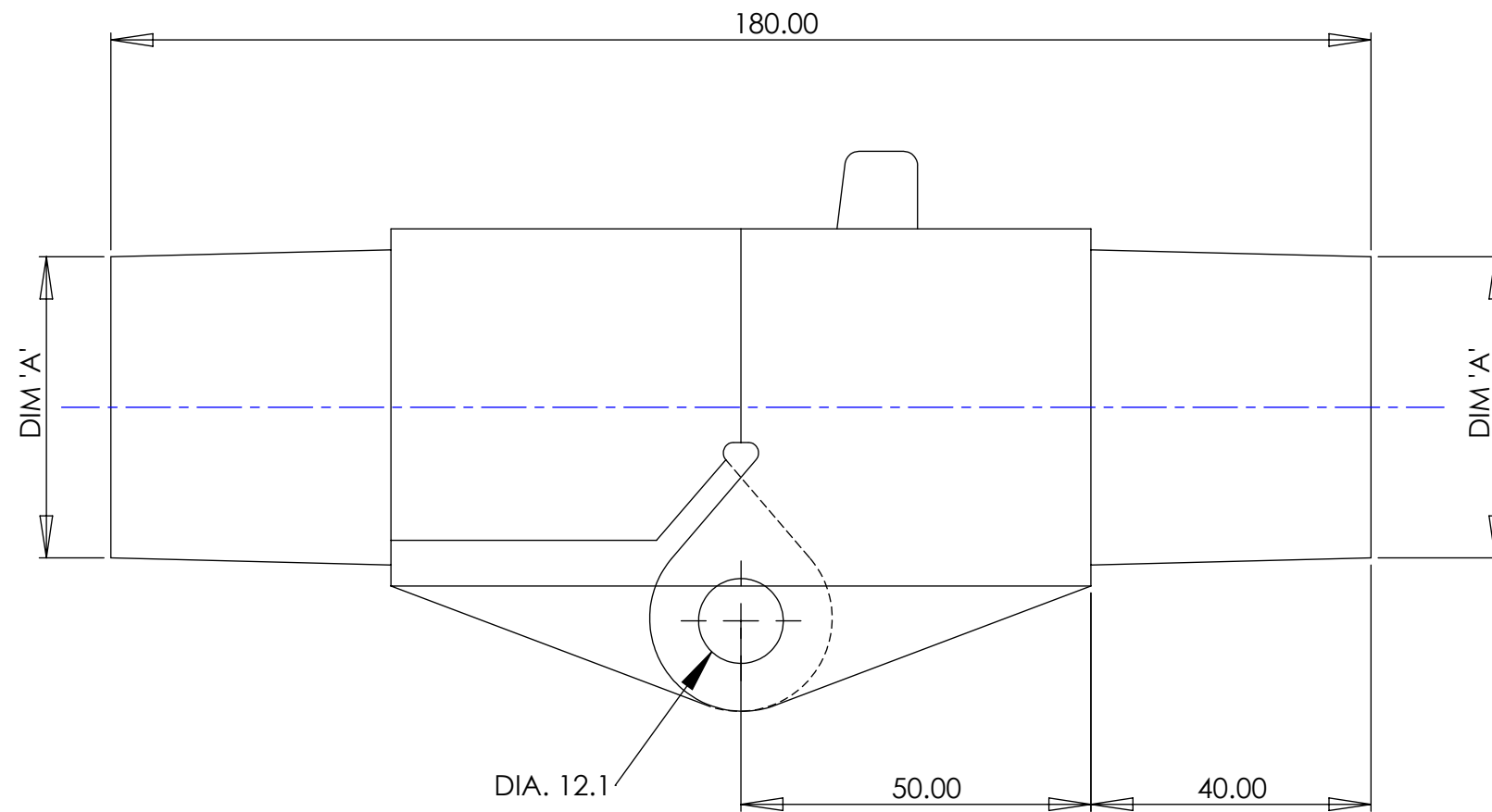
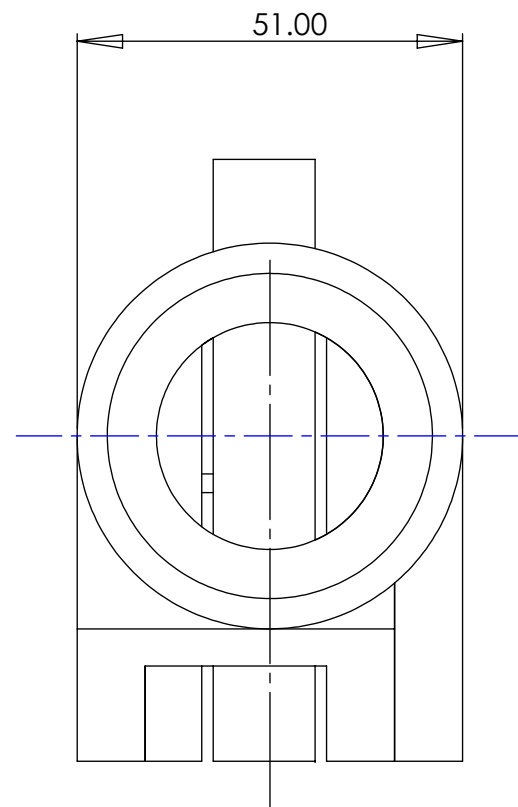
**FINISH:**  
NATURAL

**NOTES:**  
SUITABLE FOR WELDING ONLY

## STRICTLY FOR REFERENCE PURPOSES ONLY



THIRD ANGLE PROJECTION



PART No.	DIM 'A'
T58790	47.0mm
T58791	44.0mm
T58792	41.5mm
T58793	39.5mm