



User Manual

www.doughty-engineering.co.uk

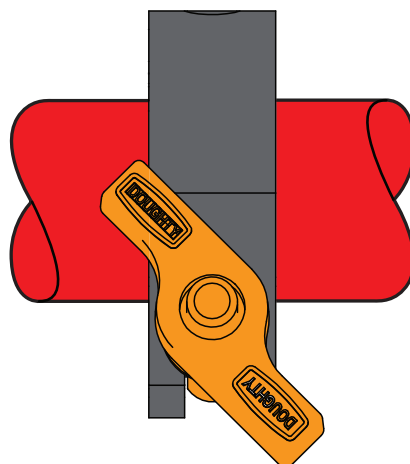
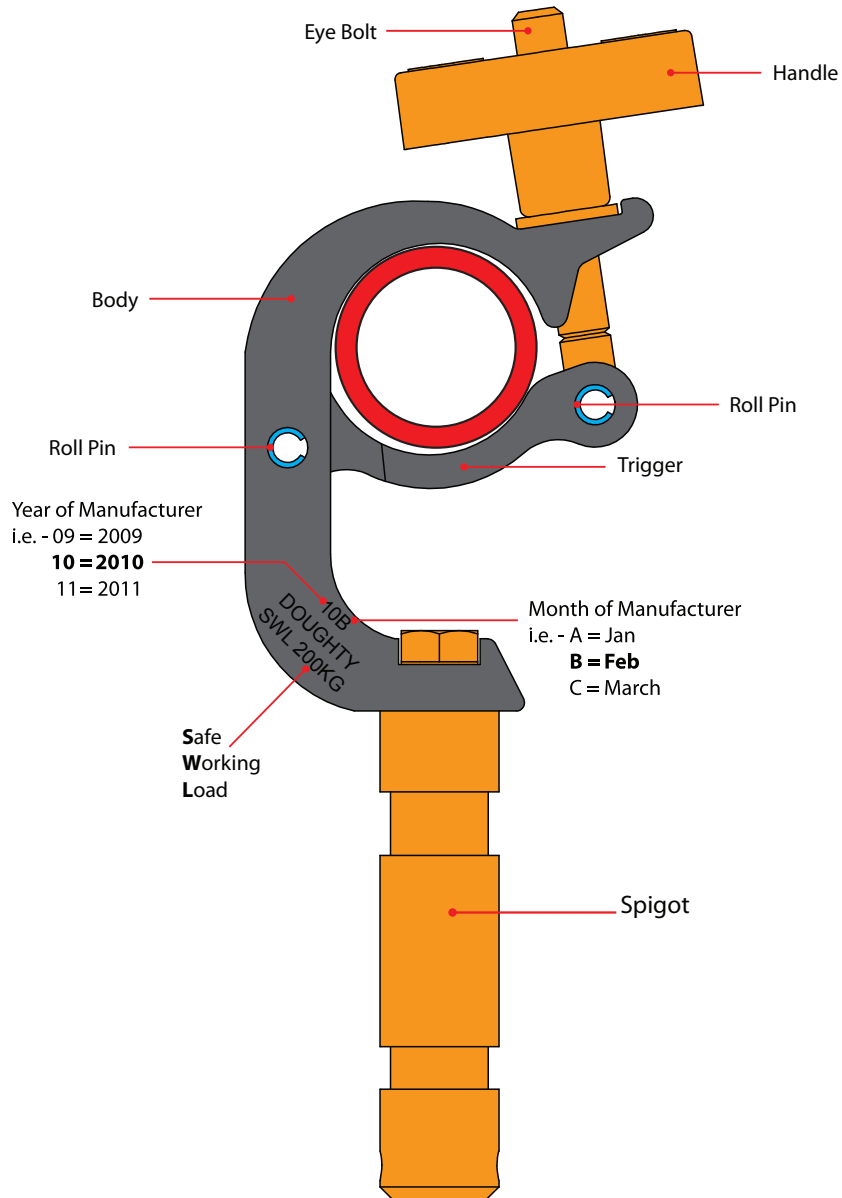
T58865 / T58867 Trigger[®] Big Ben



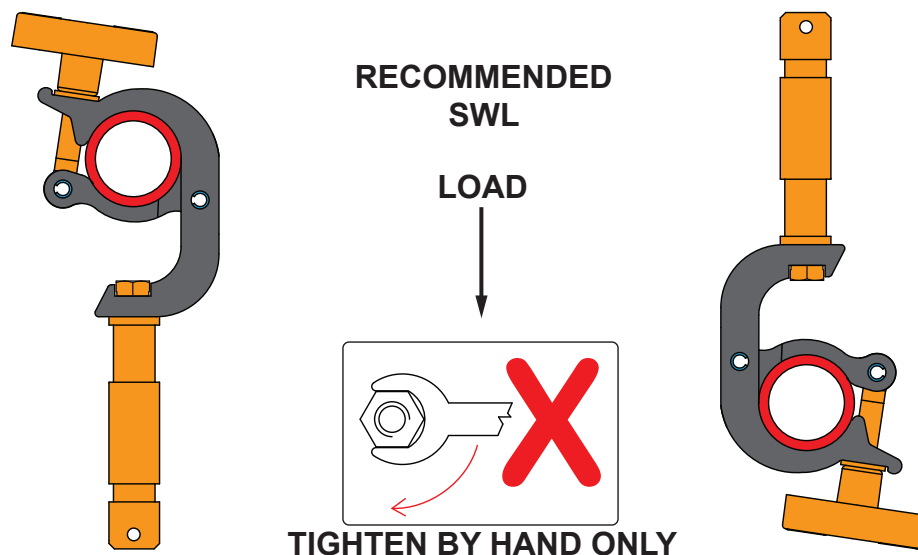
Version 06/11



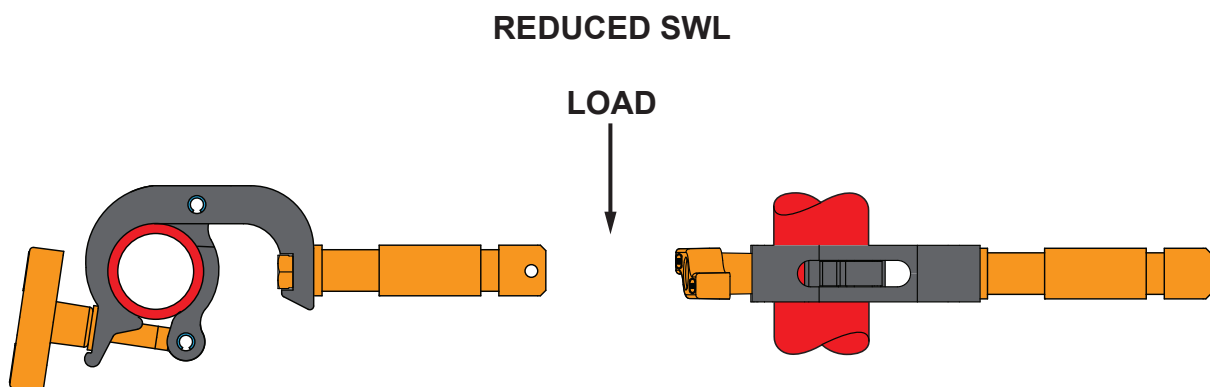
www.doughty-engineering.co.uk





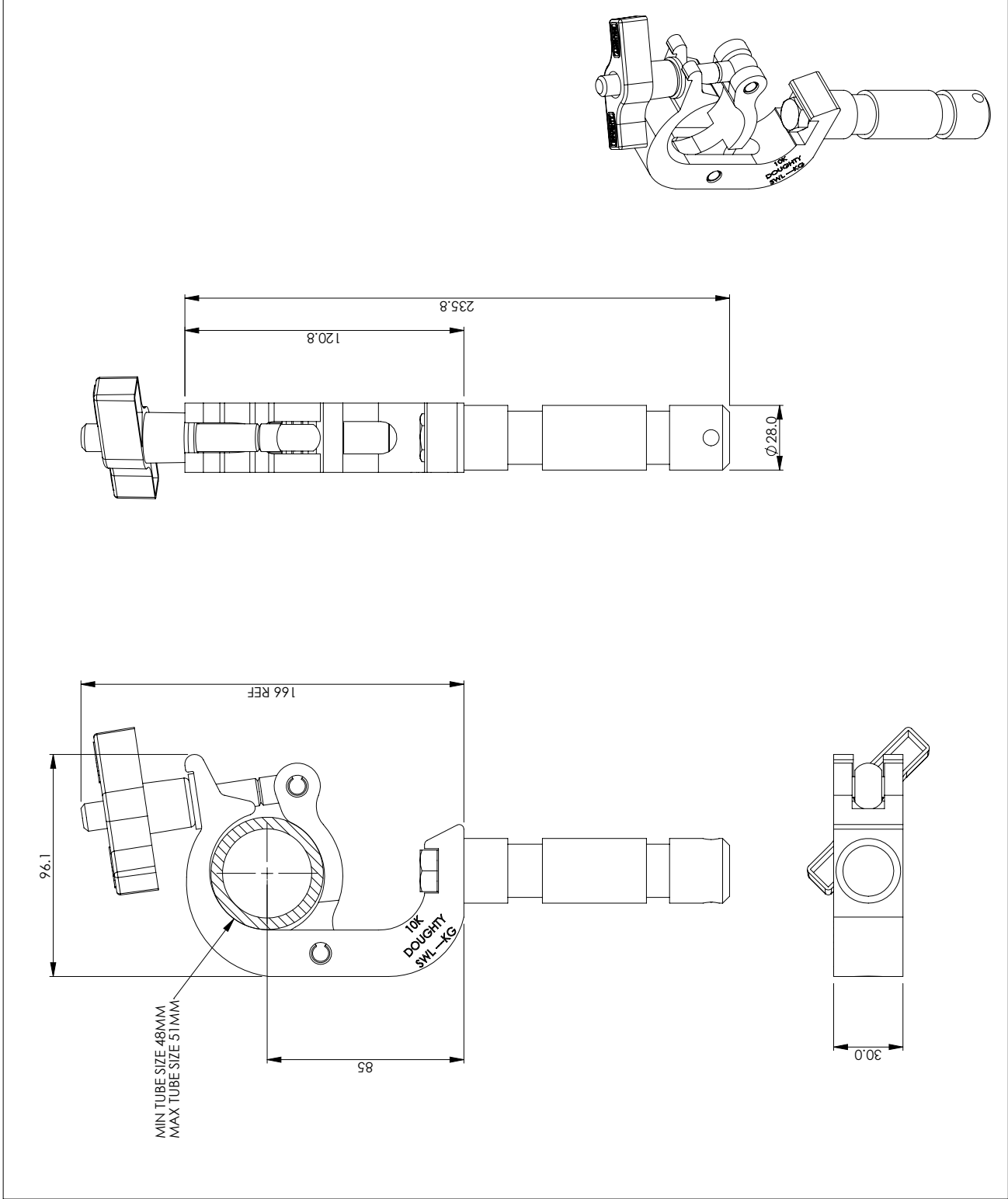
1. Never exceed the Safe Working Load (SWL) shown on the clamp.
2. Only use the clamp within the designed tube parameters (48-51mm)
3. All clamps should be visually inspected before use. In the event of any damage the clamp should be taken out of service and returned to an 'Approved Doughty Service Agent' for inspection. (see our dealer locator on our web site for a comprehensive list of Authorised Service Agents)
4. When used in conjunction with other accessories, care must be taken to ensure that the minimum SWL of any component is not exceeded.
5. Doughty Engineering Ltd does not recommend using any clamps which do not fully encompass the tube for overhanging. All open clamps including hookclamps should be used in a vertical orientation only.





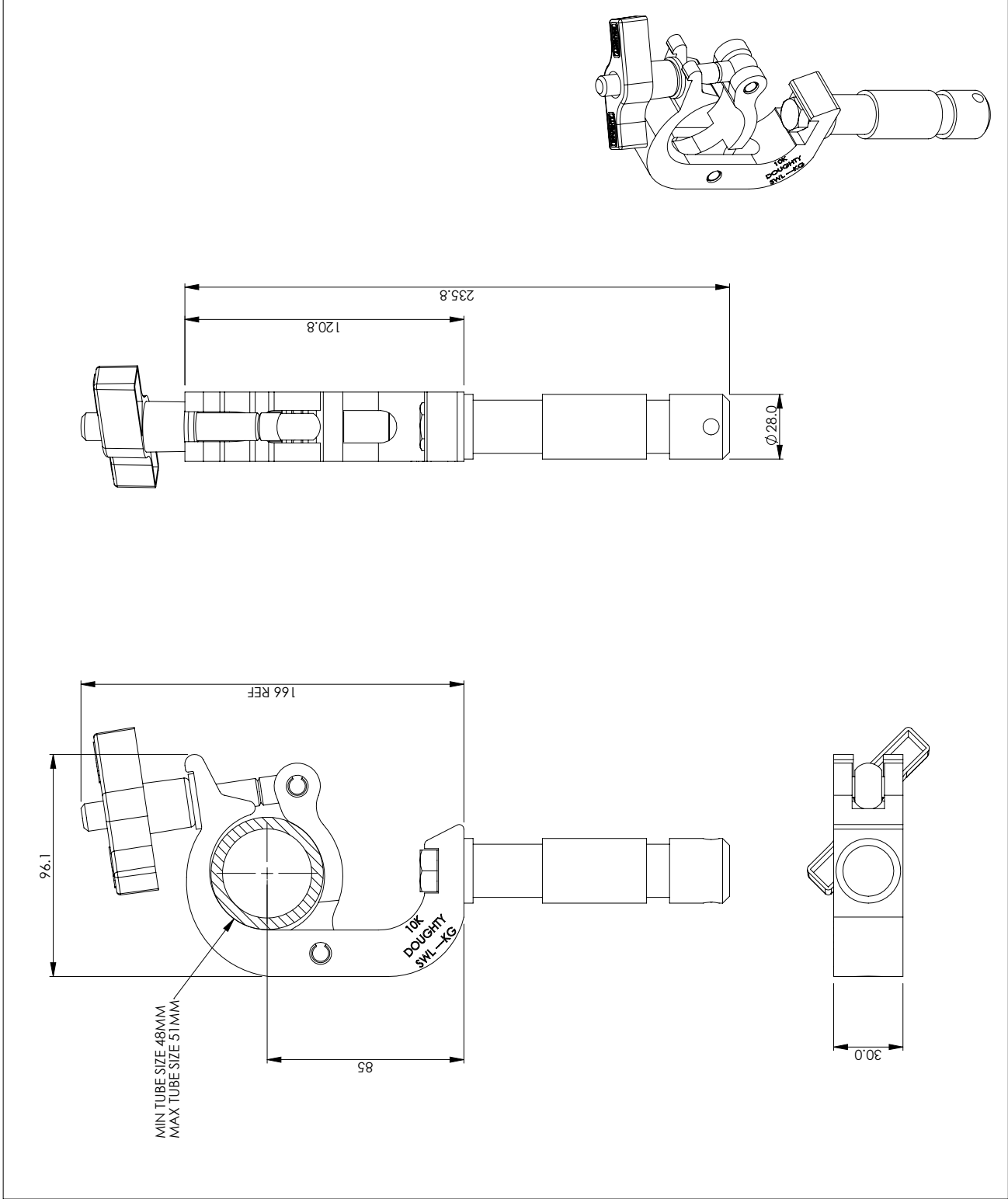
THE FOLLOWING APPLICATIONS WILL RESULT IN THE RECOMMENDED SWL BEING REDUCED DEPENDANT ON THE TUBE SURFACE FINISH & TORQUE SETTINGS APPLIED. PROOF LOADING ON INSTALLATIONS IS RECOMMENDED.

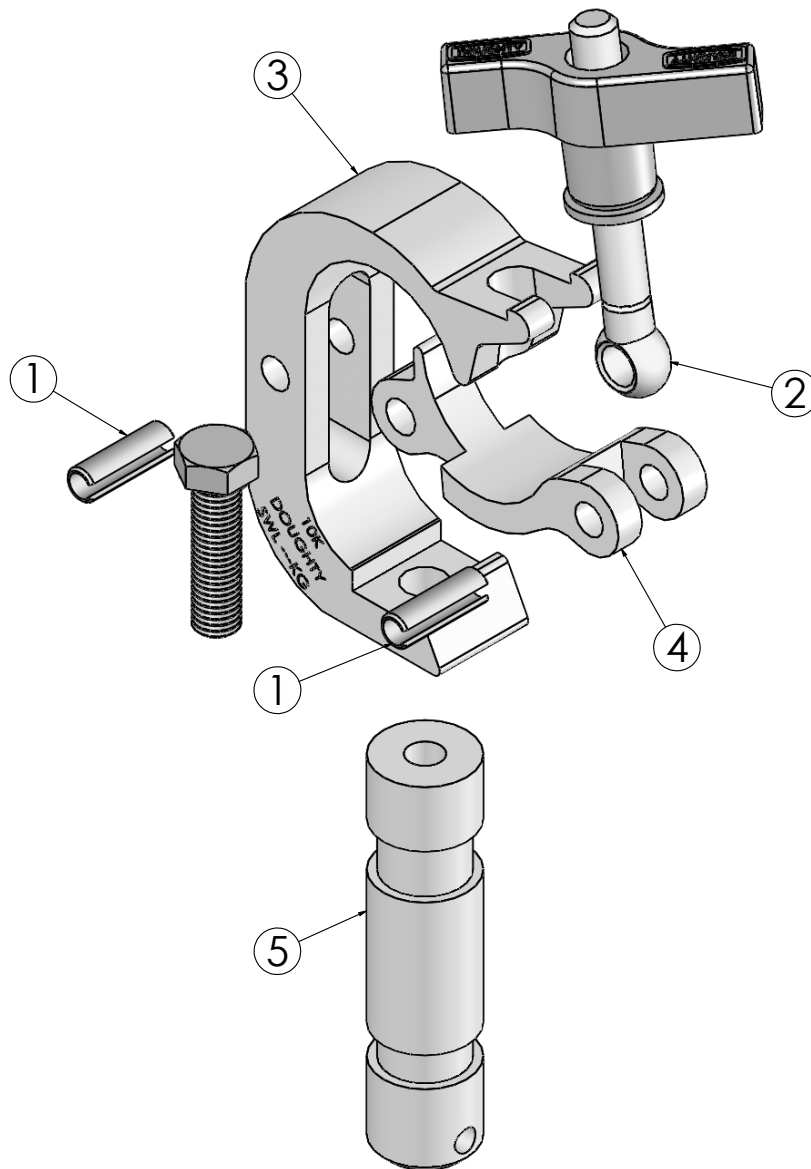


 DOUGHTY ENGINEERING LTD	<h2>DATA SHEET</h2>	TITLE: TRIGGER BIG BEN CLAMP (DIN SPEC)	PART NOS: T58865	MATERIAL: ALUMINIUM	WEIGHT: 0.73 KG	SWL: 200 KG	FINISH: POLISHED	NOTES: MIN TUBE SIZE - 48MM MAX TUBE SIZE - 51MM	<h2>STRICTLY FOR REFERENCE PURPOSES ONLY</h2>	 THIRD ANGLE PROJECTION
---	---------------------	---	----------------------------	-------------------------------	---------------------------	-----------------------	----------------------------	---	---	--



 DOUGHTY ENGINEERING LTD	<h2>DATA SHEET</h2>	TITLE: TRIGGER BIG BEN CLAMP (EURO SPEC)	PART NOS: T58867	MATERIAL: ALUMINIUM	WEIGHT: 0.73 KG	SWL: 200 KG	FINISH: POLISHED	NOTES: MIN TUBE SIZE - 48MM MAX TUBE SIZE - 51MM	<h3>STRICTLY FOR REFERENCE PURPOSES ONLY</h3>	 THIRD ANGLE PROJECTION
---	---------------------	--	----------------------------	-------------------------------	---------------------------	-----------------------	----------------------------	---	---	--





**DOUGHTY PRODUCTS MUST ONLY BE SERVICED / REPAIRED BY
AN AUTHORISED SERVICE AGENT.
SPARE PARTS ARE ONLY AVAILABLE TO THESE AGENTS**

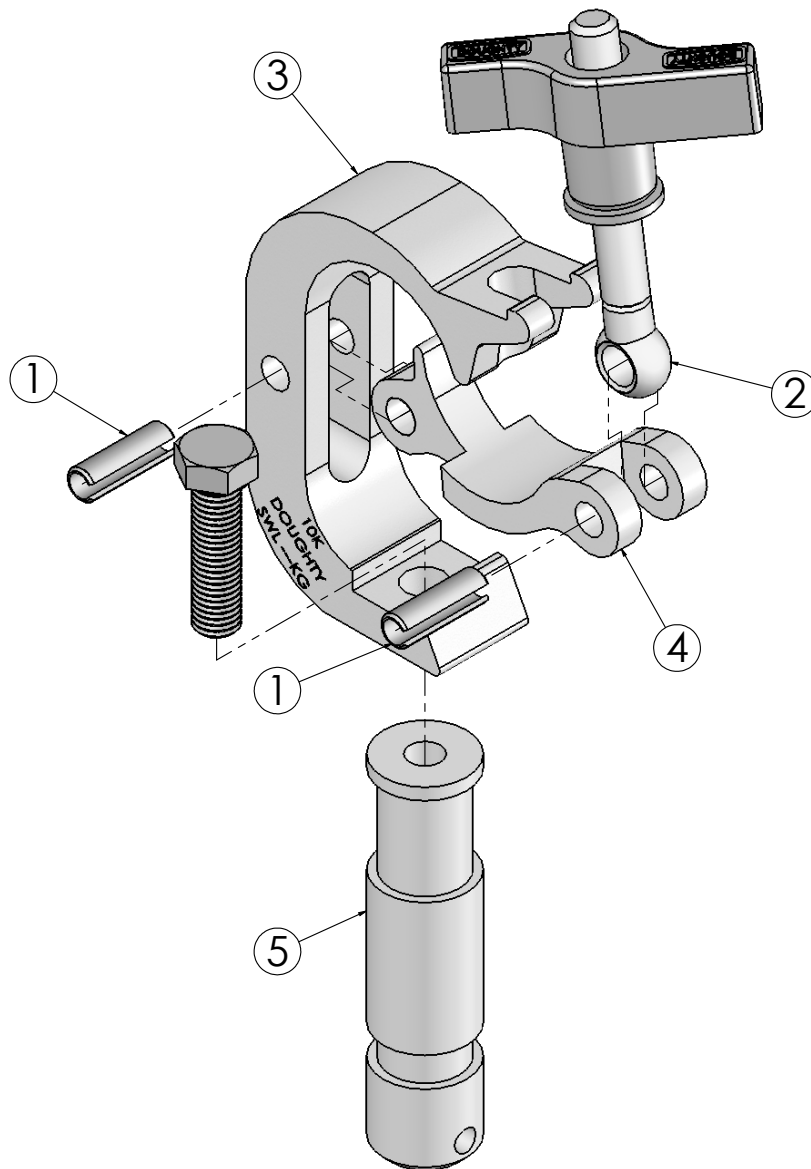
ITEM NO.	PART NUMBER	DESCRIPTION	Spares/QTY.
1	F791	STAINLESS STEEL ROLLPIN 3/8" X 1 1/8"	2
2	T78053	M12 X 104 EYEBOLT ASSY BLACK	1
3	TH013	MACHINED TRIGGER CLAMP BASE	1
4	TH1304	MACHINED TRIGGER CLAMP TRIGGER	1
5	T74316	M12 FEMALE TV SPIGOT ALUMINIUM SHORT SHANK (DIN SPEC)	1

**T58865 - TRIGGER BIG BEN
CLAMP (DIN SPEC)**



NOT TO SCALE

DRAWN	AW
DATE	08.09.11
Rev	1



**DOUGHTY PRODUCTS MUST ONLY BE SERVICED / REPAIRED BY
AN AUTHORISED SERVICE AGENT.
SPARE PARTS ARE ONLY AVAILABLE TO THESE AGENTS**

ITEM NO.	PART NUMBER	DESCRIPTION	Spares/QTY.
1	F791	STAINLESS STEEL ROLLPIN 3/8" X 1 1/8"	2
2	T78053	M12 X 104 EYEBOLT ASSY BLACK	1
3	TH013	MACHINED TRIGGER CLAMP BASE	1
4	TH1304	MACHINED TRIGGER CLAMP TRIGGER	1
5	T74303	M12 FEMALE TV SPIGOT ALUMINIUM SHORT SHANK (EURO SPEC)	1

**T58867 - TRIGGER BIG BEN
CLAMP (EURO SPEC)**

DOUGHTY

NOT TO SCALE

DRAWN	AW
DATE	12.09.11
Rev	1



Doughty Engineering Limited

CROW ARCH LANE, RINGWOOD, HANTS, BH24 1NZ. ENGLAND

Telephone: +44 (0) 1425 478961 Fax: +44 (0) 1425 474481

www.doughty-engineering.co.uk

email:sales@doughty-engineering.co.uk

EC DECLARATION OF CONFORMITY

Doughty Engineering Limited hereby certify that the equipment stated below has been designed to comply with all relevant sections of the specifications referenced below and complies with all the applicable Essential Requirements of the EC Directives and amendments and the National Laws and Regulations adopting these Directives.

Description: Trigger Big Ben

Model/s: Part No. T58865 / T58867

SWL: 200Kg **Factor:** 5:1

are in conformity with the provision of the following EC Directives:

MACHINERY DIRECTIVE 98/37/EC


Harmonised Standards applied:

EN 292-1-2:1991

BS EN ISO 9001:1994

National Technical Standards & Specifications applied:

BS 7905-1:2001

Signed: 

Date:15-09-11

Name: Stephen Wright

Position: Director

Being the responsible person appointed by the manufacturer.



DEQ 083 Rev 4

Company Registration No. London 972614
Registered Office: Crow Arch Lane, Ringwood, Hants, BH24 1NZ
Directors: M.B.Lister. J.C.G. Chiverton. N.D. Curtis. S.C. Wright





Doughty Engineering Ltd

Crow Arch Lane

Ringwood, Hampshire, BH24 1NZ

Tel: +44 (0) 1425 478961 Fax: +44 (0) 1425 474481

email: sales@doughty-engineering.co.uk

Web: www.doughty-engineering.co.uk

Note: Whilst every effort has been made to ensure that the information contained within this manual is correct, Doughty Engineering does not accept any liability for errors or omissions. Specifications and technical data are intended for guidance purposes only and may vary.