



Engineering Ltd



Data Sheet

Doughty Fifty Clamp

A pressure die cast clamp.

Holds captive an M10 or M12 Nut or Bolt

Supplied with M10 x 25 Fixing Kit

Pt No's:

T58410 - Powder Painted Satin Black

Tube Diameter: 38 - 51mm

Materials:

Body - LM24 Aluminium

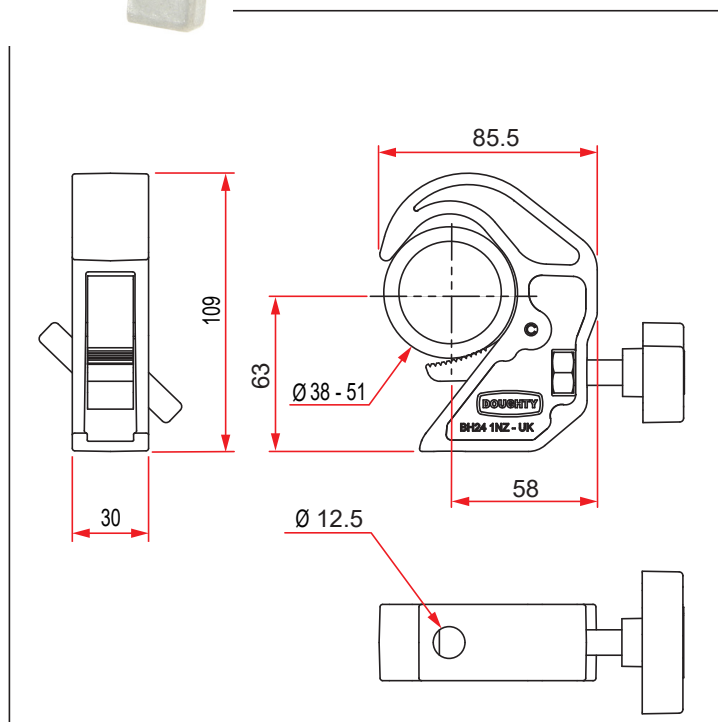
Trigger- AW 6082 T6 Aluminium

Roll Pins - Stainless Steel

Max Tightening Torque: Hand Tight Only

WLL: 50Kg Vertical Load

Factor of Safety: 5:1



Doughty Engineering Ltd
Crow Arch Lane, Ringwood, Hampshire, BH24 1NZ, UK
+44 (0) 1425 478961, sales@doughty-engineering.co.uk
www.doughty-engineering.co.uk