



User Manual

www.doughty-engineering.co.uk

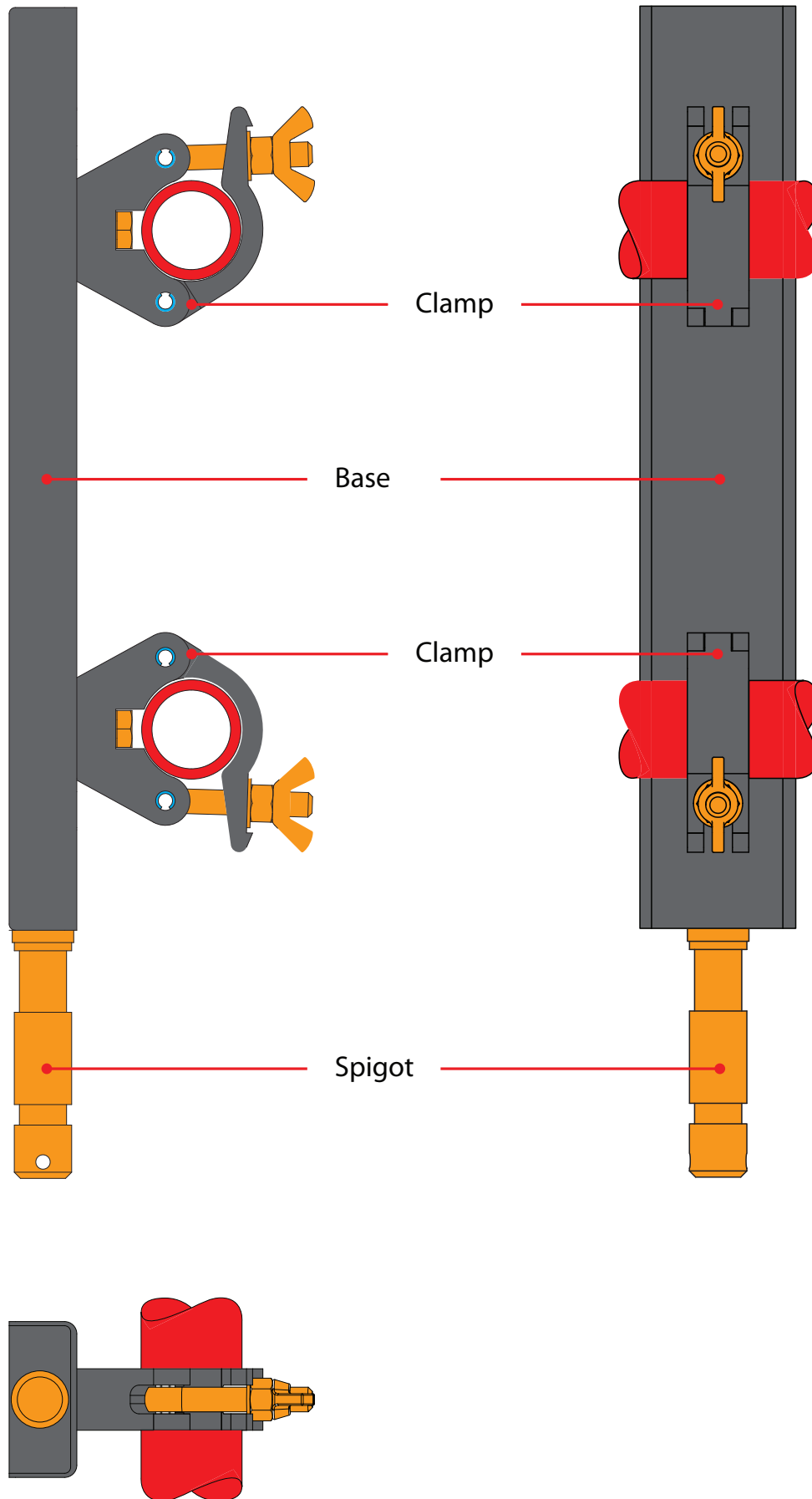
T58700 / T58701 Fixed Ladder Truss Adaptor



Version 06/11

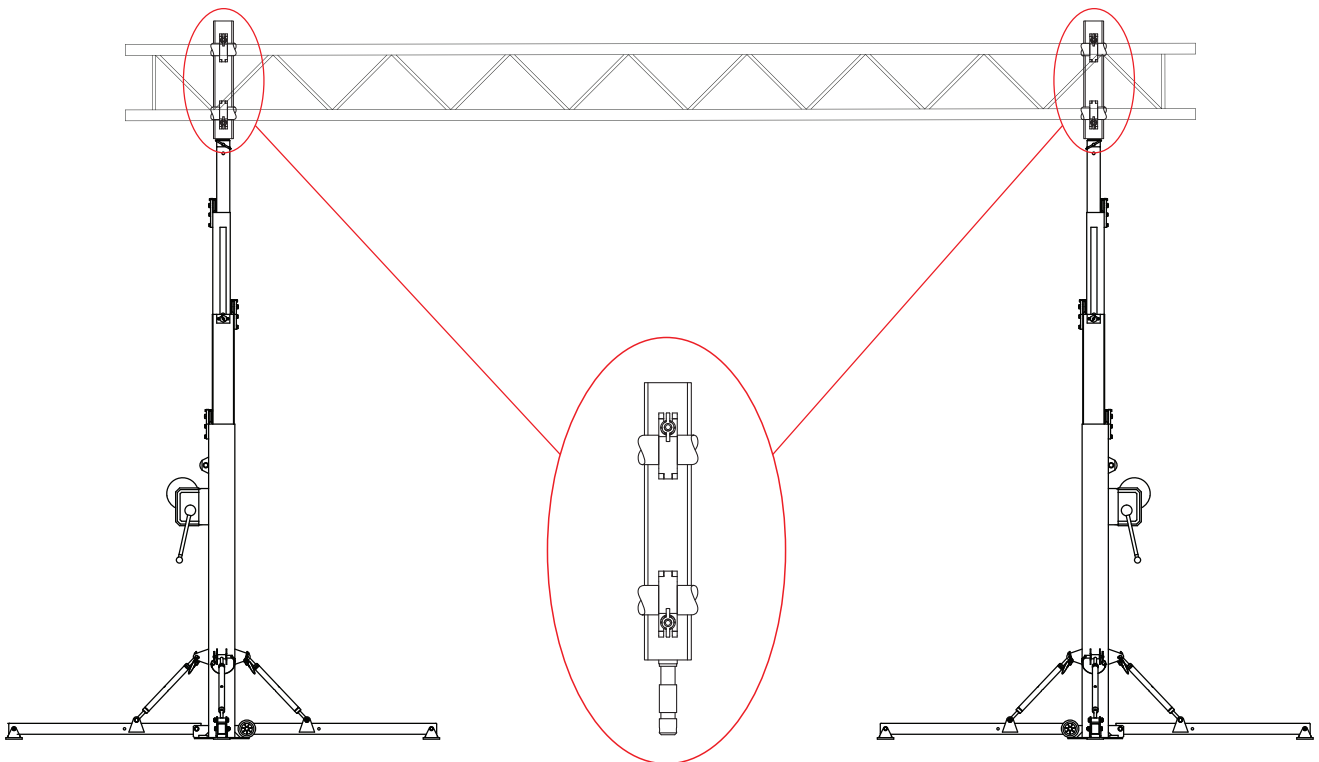




www.doughty-engineering.co.uk

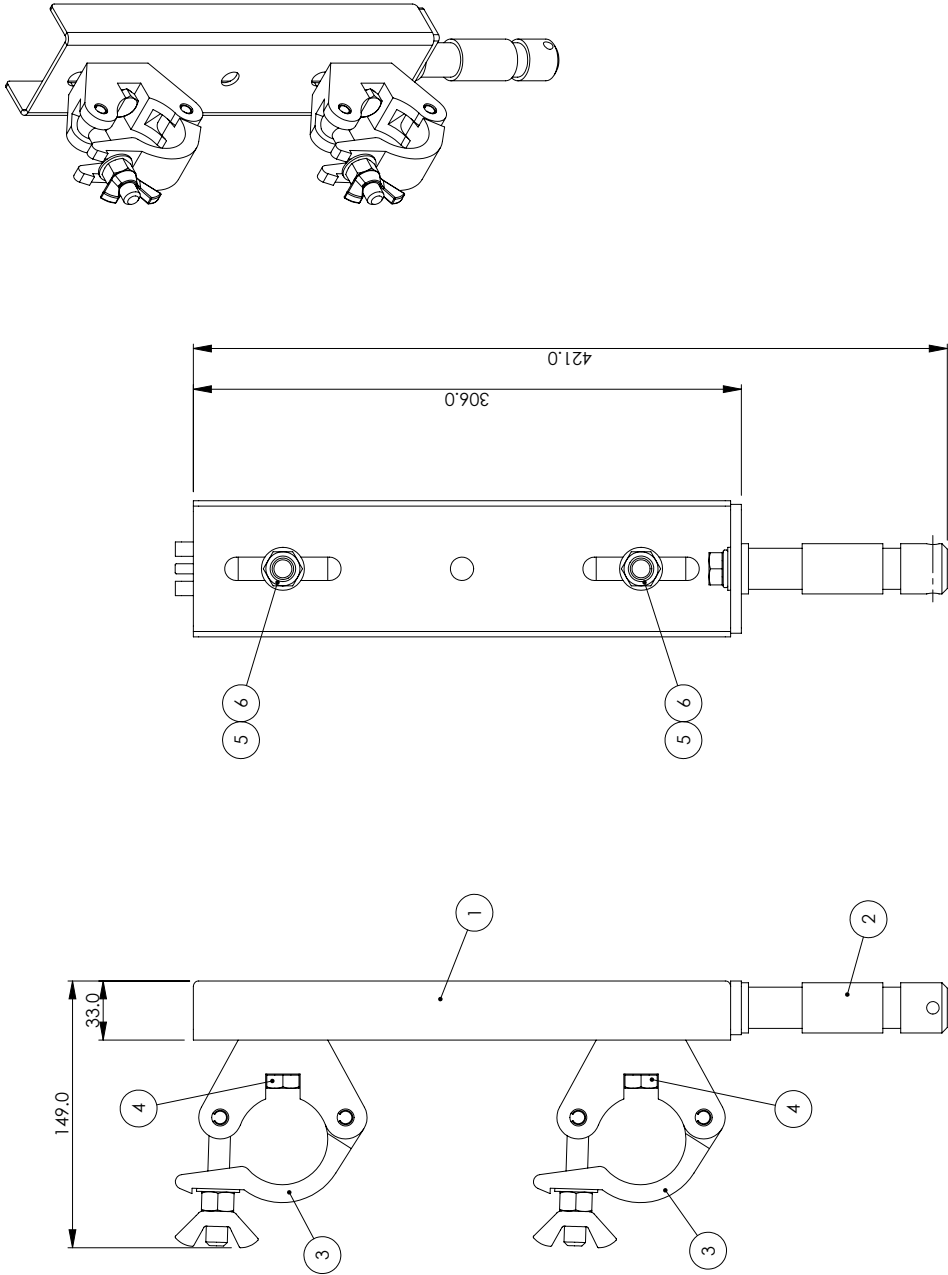


1. Never exceed the Safe Working Load (SWL) shown on the data sheet.
2. Only use the clamp within the designed tube parameters (48-51mm)
3. All clamps should be visually inspected before use. In the event of any damage the clamp should be taken out of service and returned to an 'Approved Doughty Service Agent' for inspection. (see our dealer locator on our web site for a comprehensive list of Authorised Service Agents)
4. When used in conjunction with other accessories, care must be taken to ensure that the minimum SWL of any component is not exceeded.
5. Doughty Engineering Ltd does not recommend using any clamps which do not fully encompass the tube for overhanging.

The Ladder Truss Adaptor is only suitable for use with Ladder Truss sections. It should be used by two people to rig a truss between two winch stands. Each stand can be raised at the same time until the required height is achieved.



		DOUGHTY ENGINEERING LTD	
		THIRD ANGLE PROJECTION	
NOTES:			
TOLERANCES: UNLESS STATED OTHERWISE X = + OR - 0.50MM .XX = + OR - 0.25MM .XXX = + OR - 0.10MM HOLES = + OR - 0.1MM REMOVE ALL BURRS & SHARP EDGES			
USED ON			
DATE 07/05/2009			
DRAWN AW			
CHKD SW			
SCALE 1:2.5			
MATERIAL SEE BOM			
FINISH CLEAN			
TITLE LADDER TRUSS ADAPTOR 150-250mm CTRS ASSEMBLY			
DWG NO 158700		SHEET 1 OF 1	

IF IN DOUBT ASK		A3 ORIGINAL	
			
NEW DRAWING		ADMENTS	
1	ISS	08/05/2009	DATE
AW	SIG		

ITEM NO.	PART NUMBER	DESCRIPTION	T58700/QTY
1	TH1275	LADDER TRUSS ADAPTER 150-250MM CTRS WELDED ASSY	1
2	F74301	M12 FEMALE TV SPIGOT STEEL SHORT SHANK (EURO SPEC)	1
3	F57001	SLIMLINE DOUGHTY CLAMP 30MM	2
4	F834	M12 X 40 HEX SET	2
5	F893	M12 FLT B WASHER BZP	2
6	F873A	M12 NYLOC P-TYPE	2



Doughty Engineering Limited

CROW ARCH LANE, RINGWOOD, HANTS, BH24 1NZ. ENGLAND

Telephone: +44 (0) 1425 478961 Fax: +44 (0) 1425 474481

www.doughty-engineering.co.uk

email:sales@doughty-engineering.co.uk

EC DECLARATION OF CONFORMITY

Doughty Engineering Limited hereby certify that the equipment stated below has been designed to comply with all relevant sections of the specifications referenced below and complies with all the applicable Essential Requirements of the EC Directives and amendments and the National Laws and Regulations adopting these Directives.

Description: Fixed LadderTruss Adaptor

Model/s: Part No. T58700 / T58701

SWL: 200Kg **Factor:** 5:1

are in conformity with the provision of the following EC Directives:

MACHINERY DIRECTIVE 98/37/EC

Harmonised Standards applied:

EN 292-1-2:1991

BS EN ISO 9001:1994

National Technical Standards & Specifications applied:

BS 7905-1:2001

Signed:

A handwritten signature in black ink, appearing to read "S. Wright".

Date:15-08-2011

Name: Stephen Wright

Position: Director

Being the responsible person appointed by the manufacturer.



DEQ 083 Rev 4

Company Registration No. London 972614
Registered Office: Crow Arch Lane, Ringwood, Hants, BH24 1NZ
Directors: M.B.Lister. J.C.G. Chiverton. N.D. Curtis. S.C. Wright





Doughty Engineering Ltd

Crow Arch Lane

Ringwood, Hampshire, BH24 1NZ

Tel: +44 (0) 1425 478961 Fax: +44 (0) 1425 474481

email: sales@doughty-engineering.co.uk

Web: www.doughty-engineering.co.uk

Note: Whilst every effort has been made to ensure that the information contained within this manual is correct, Doughty Engineering does not accept any liability for errors or omissions. Specifications and technical data are intended for guidance purposes only and may vary.