



DOUGHTY ENGINEERING LTD

DATA SHEET

TITLE:
HEAVY DUTY HOOK CLAMP

PART NOS:
T20400 - NATURAL
T20401 - BLACK

MATERIAL:
MILD STEEL GR 43A

WEIGHT:
0.90KG

SWL:
150KG

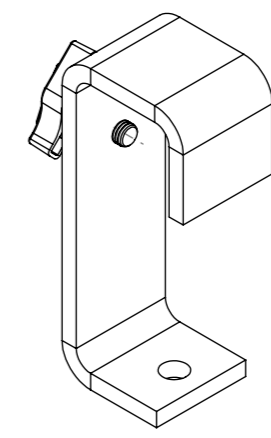
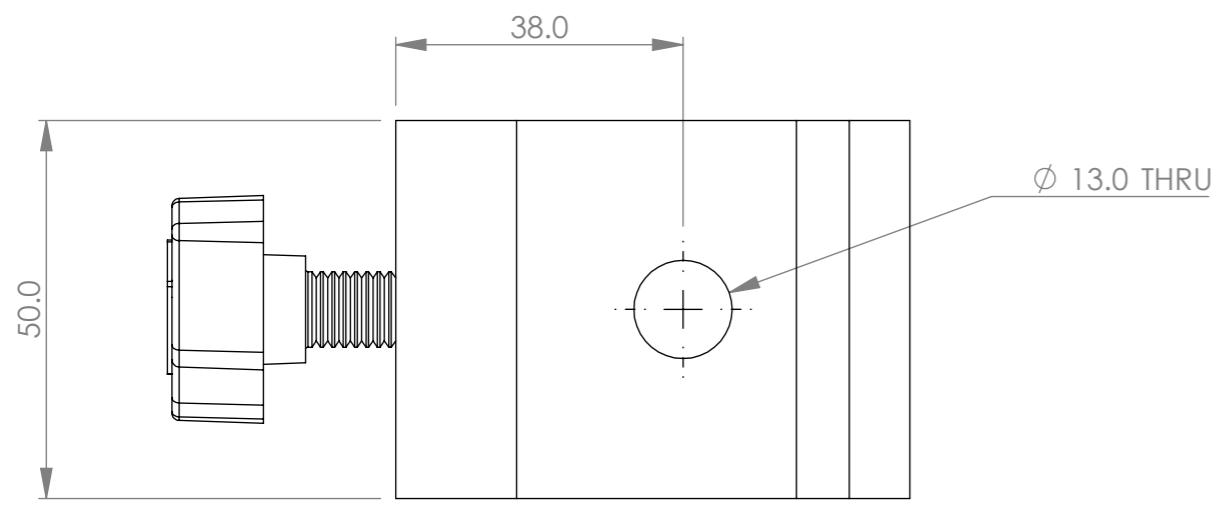
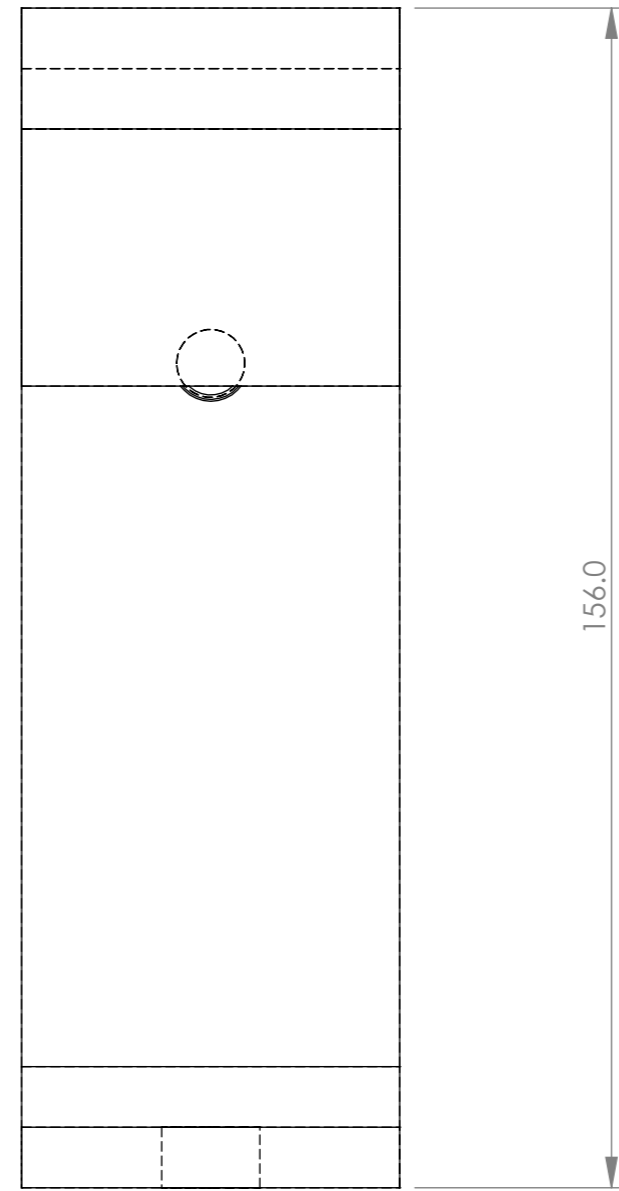
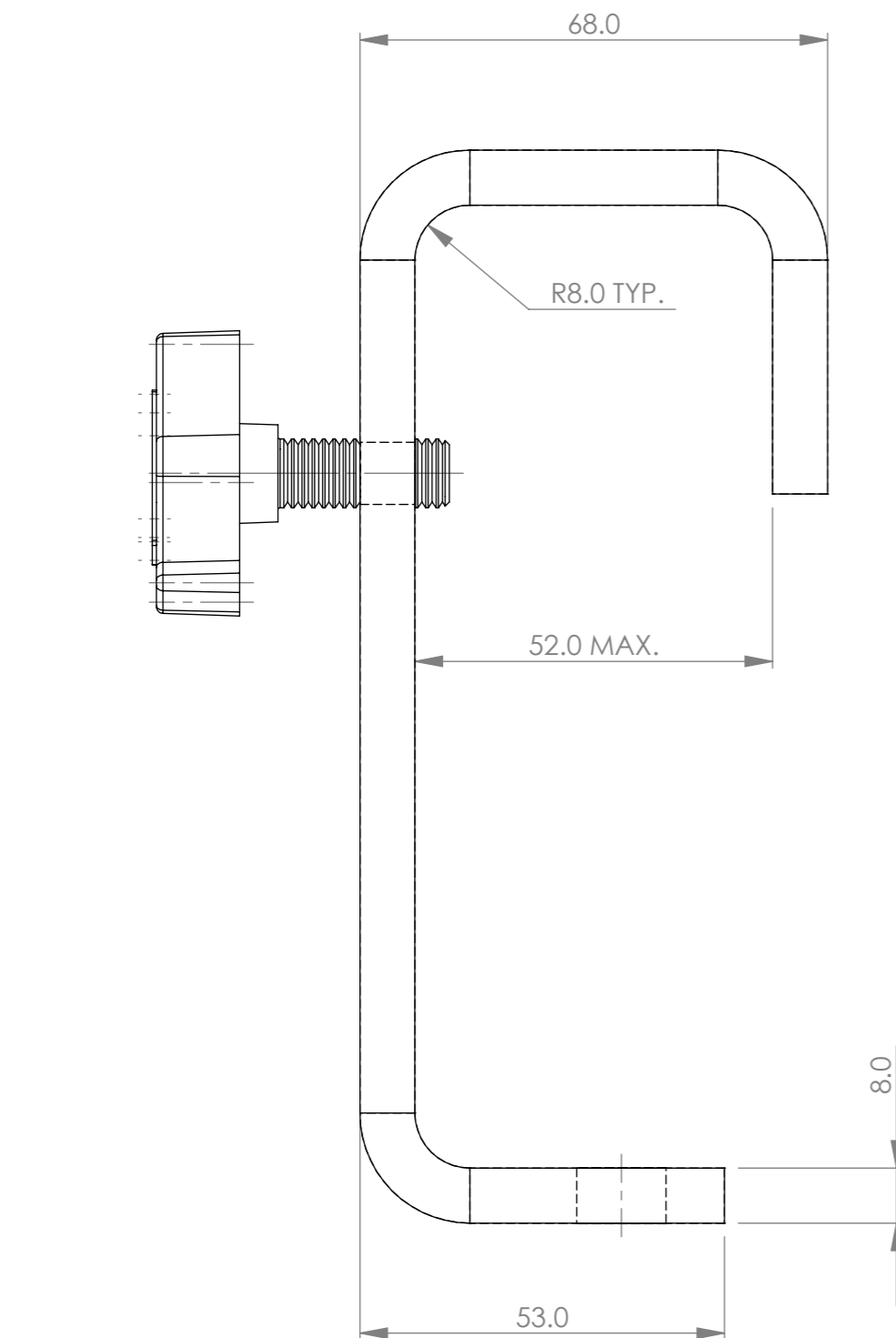
FINISH:
T20400 - NATURAL
T20401 - BLACK

NOTES:

STRICTLY FOR REFERENCE PURPOSES ONLY



THIRD ANGLE PROJECTION



1		21/07/2008	AWA
ISS	ADMENDMENTS	DATE	SIG