



# LEDWASH CW-WW

## COMPACT WASH FIXTURE WHITE & WARM WHITE LEDS

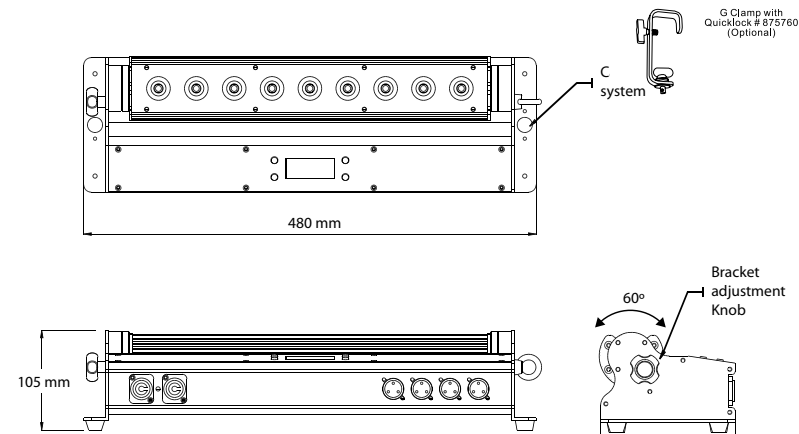


The CLF LEDwash CW-WW is a compact wash fixture with a unique and distinctive design. The horizontal head can be manually adjusted 60°. Combined with the 50° beam angle of the lens, the LEDwash is the perfect solution for illuminating large surfaces like walls, curtains and horizons. It is also possible to make the edge of the beam more diffused by using the included frost lens. The low and compact housing makes that the fixture is hardly noticeable. The fixture can be placed on the floor or mounted to truss structures by using the unique two pieces CLF quicklock system. This hanging system is easy to use and time-saving. The CLF LEDwash contains 9 specially selected LEDs which provide cold and warm white with a CRI > 90. The powerful LEDs provide extremely high light output and ensures 'flicker-free'

operation for all types of TV and camera use. Warm and cold white control between 2,800K and 6,500K and dimming can be adjusted in 3 different DMX modes or by using the on-board menu. The fixture contains both powerCON in and out and can be connected with three and five pins XLR.

# CLF LEDWASH CW-WW

- EXTENSIVE WHITE COLOR TEMPERATURE CONTROL (2,800K – 6,500K, CRI>90)
- SOLID HOUSING, UNIQUE DESIGN
- MANUALLY 60° ADJUSTABLE BEAM ANGLE
- 'FLICKER FREE' OPERATION
- POWERCON IN AND OUT



### FACTSHEET

DMX channels	2, 3 or 7 channels
Beam angle	50°
Power supply	100 - 240 VAC
Power consumption	Max. 65 Watt
Cooling	Low noise fan
DMX connection	3 & 5p XLR in & out
Dimensions	480 x 140 x 105 mm (hwxwd)
Weight	3,5 Kg
Certification mark	CE
Article number	156300
Included items	Power cable, Frost & Clear lens
IP rating	IP22