



This multi-purpose spotlight is not much larger than an AX3 but features all our latest technological achievements such as Titan LED Engine, CRMX & wired DMX via PowerBox and direct App control without ART7. Each of its 4 sides includes an airline track and a nifty rail to slide-in mounting accessories which allows a quick connection of several PixelBricks to form clusters and geometrical shapes.

SPECIFICATIONS



Max 20h



Wireless DMX



IP65



App

Order Code	PB15
LED Engine	Titan LED Engine
Colors	RGBMintAmber
Total LED Power	15W
Power Draw	12W
Light Output – 2700k, 3200k, 5500k*	388lm, 450lm, 375lm
CRI(Ra)/TLCI 3200-6500k*	≥96
Beam Angle	13°
Strobe	0 - 25Hz
Pixel	1
Battery Lifetime	70 % after 300 cycles
Battery Runtime	up to 20 hours
Charging Time (nominal)	5 hrs
Input Voltage	24VDC
Input Current	0.8A
Wired DMX	Yes (via PWB-2-86)
CRMX Receiver	Built in
Wireless Frequencies	CRMX 2.4GHz, UHF, Bluetooth
Range (m/yds)	300/330 (Bluetooth 3/3,3)
Housing Material	Aluminium
IP Rating	IP65
Ambient Temperature (°C/°F)	0° - 40° / 32° - 104°
Weight (kg/lbs)	1.12 / 2.47
Dimensions (mm/inches)	91 x 91 x 94 / 3.6 x 3.6 x 3.7

*Typical values

RF CHARACTERISTICS

Wireless Modules	EU: UHF (863-870MHz)	USA: UHF (917-922.20MHz)	AUS: UHF (922.30-927.50MHz)	SGP: UHF (920.50-924.50MHz)
Modulation	FHSS	FHSS	FHSS	FHSS
ERP (Transmitter)	<25mW	<25mW	<25mW	<25mW
Channel Count	47	53	53	41

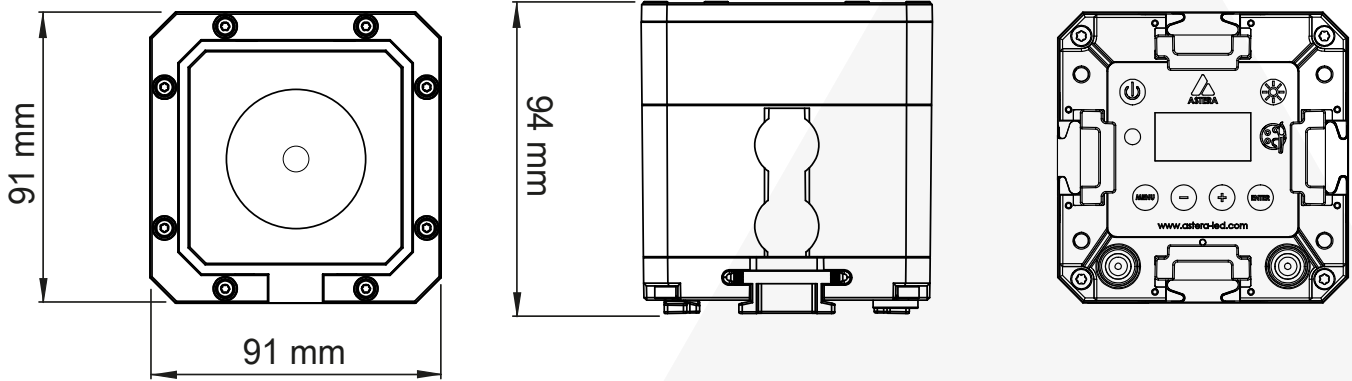
Wireless Modules	KOR: UHF (917.9-921.5MHz)	RUS: UHF (868.75-869.12MHz)	JPN: UHF (922.80-926.40MHz)	CRMX (2402-2480MHz)	Bluetooth 5.0 LE (2402-2480MHz)
Modulation	FHSS	FHSS	FHSS	FHSS	FHSS
ERP (Transmitter)	<25mW	<25mW	<25mW	-	10mW (BLE)
Channel Count	10	6	19	79	40

BUILT-IN BLUETOOTH AND UHF TRANSMITTER

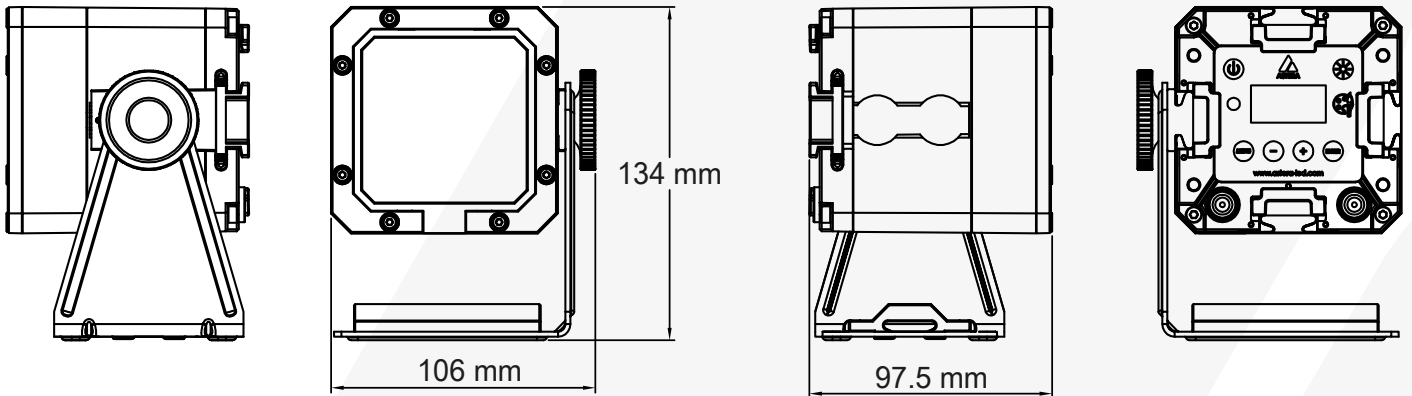
Connect directly to a PixelBrick via Bluetooth. This master light will revert AsteraApp commands to all other NYX Bulbs and other Astera lights via UHF band.



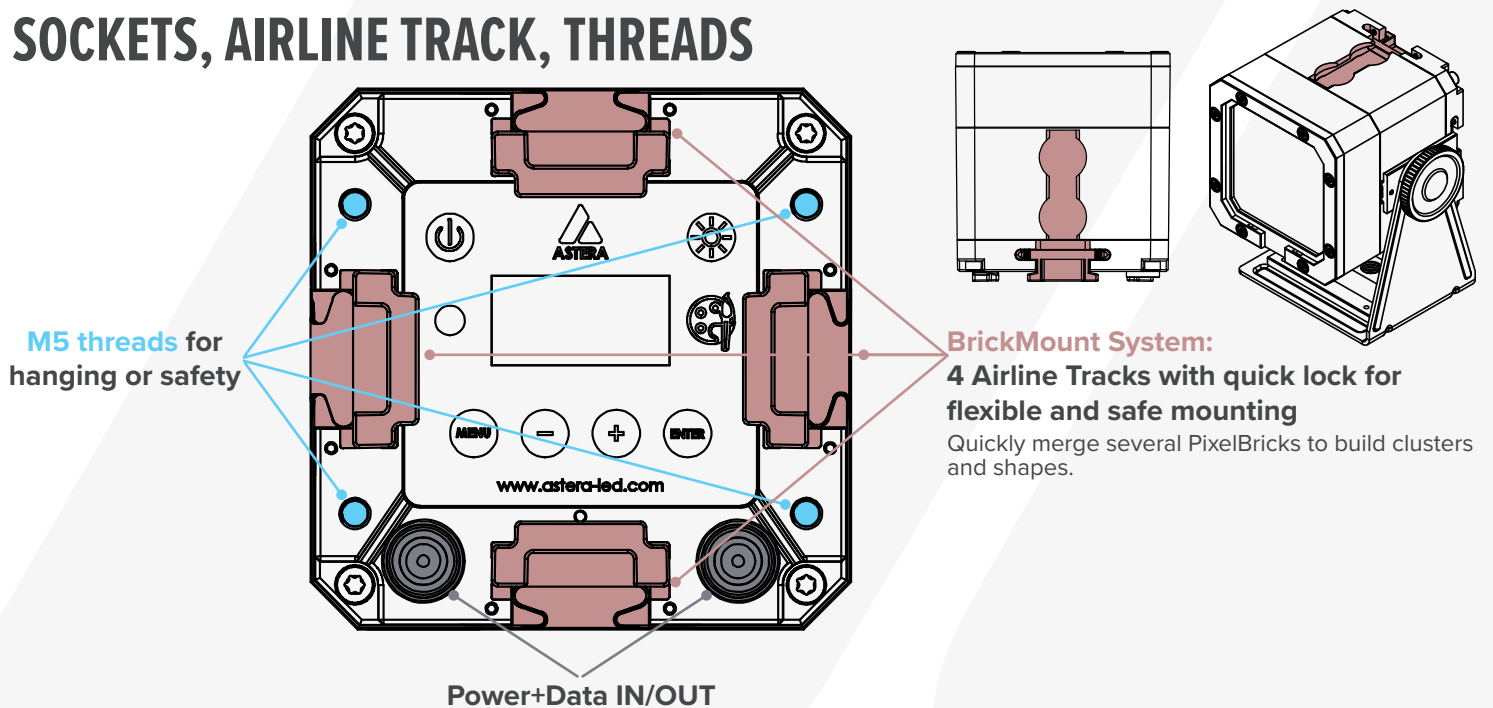
DRAWINGS WITHOUT BRACKET



WITH BRACKET



SOCKETS, AIRLINE TRACK, THREADS

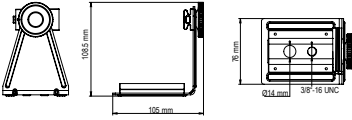


Power+Data IN/OUT

ACCESSORIES

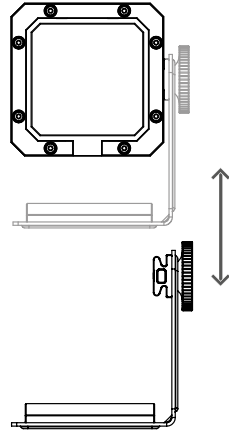
BrickBracket PB15-BBR

included

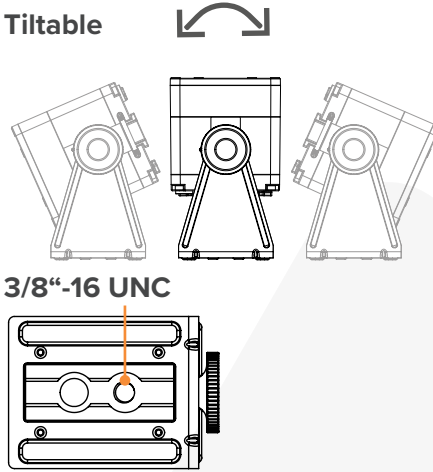


Weight (1pc): 270g / 5.59lbs

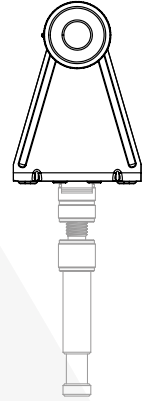
Removeable



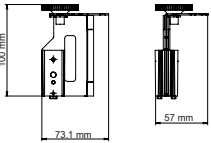
Tiltable



AirlineTrack on bottom for mounting



BrickHinge PB15-BHI

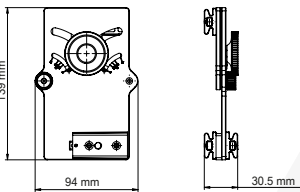


Weight: 220g / 0.48lbs

BrickHinge on PixelBrick to create several shapes



BrickTilt PB15-BTLT



Weight: 270g / 0.59lbs

BrickTilt on PixelBrick



Tilt the angle of the PixelBrick outward or inward



Build creative shapes



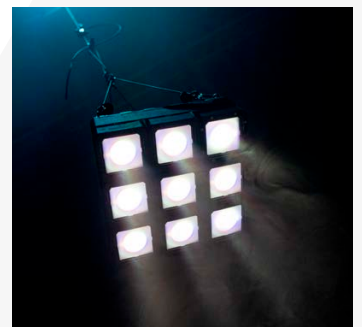
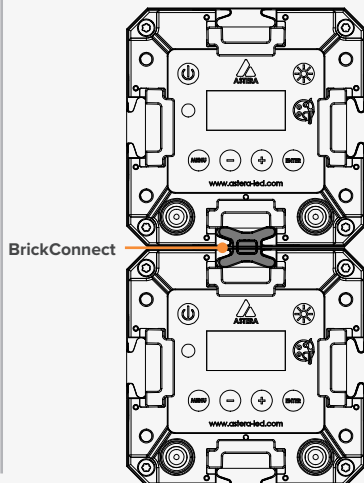
BrickConnect PB15-BCN

included

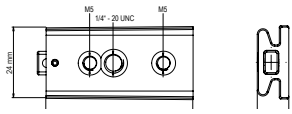


Weight (1pc): 27g / 0.059lbs

Connect your PixelBricks to several shapes



BrickMount
PB15-BMO

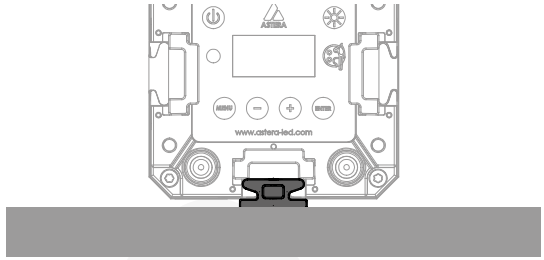


Weight (1pc): 25g / 0.55 lbs

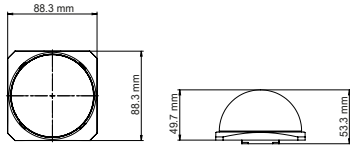
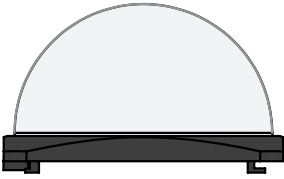
BrickMount on PixelBrick



Mounted on plate



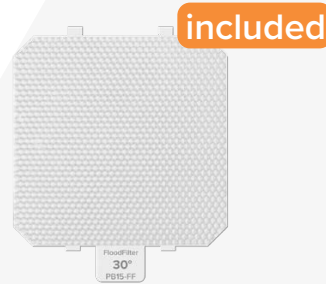
BrickDome
PB15-BDM



BrickDome on PixelBrick



Filters



FloodFilter 30°
PB15-FF



BeamSoftener 17°
PB15-BSO

TrackPin
AX-TP



EyeBolt
FP1-EBLT



Power/Data Cable
5m, 10m, 15m
PWB-CAB-5/-10/-15



Power/Data Cable
0,2m
PWB-CAB-0.2



ChargingCase
PB15-CHRCSE



Weight (empty): 6.8kg / 15lbs
Weight (full): 16.3kg / 36lbs



Dimensions (mm/inch)
541.5 x 400 x 205.5 / 21.3 x 17.44 x 8.1

AccessoryCase
PB15-ACCCSE



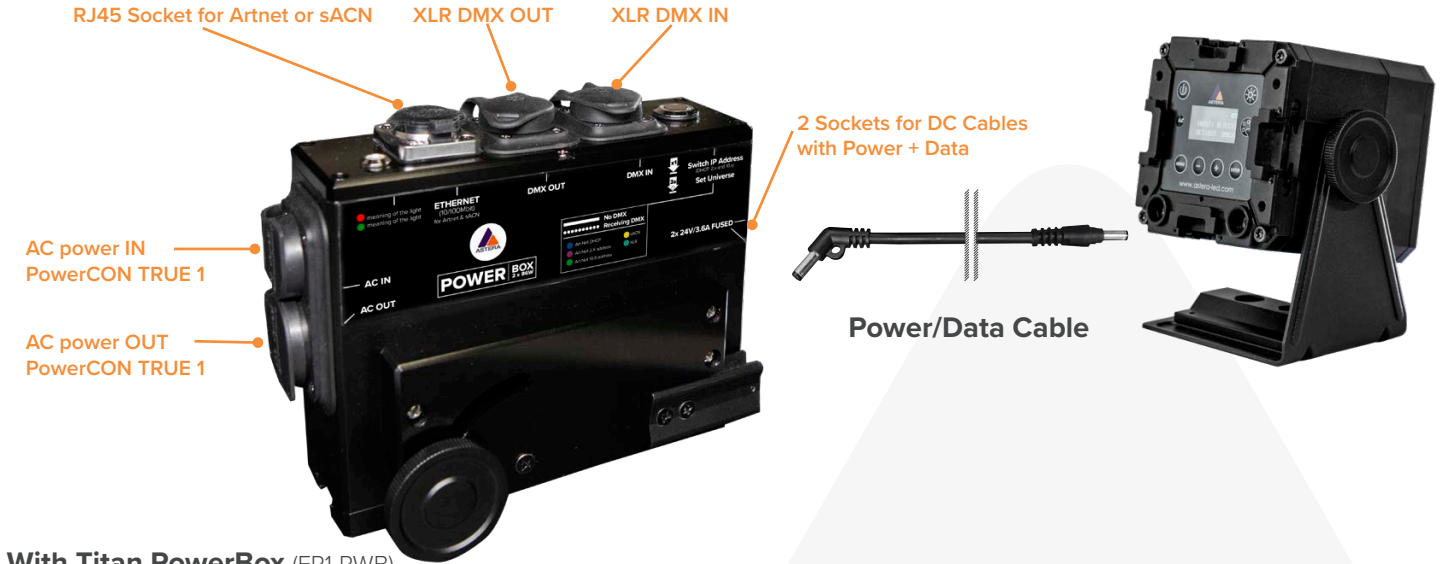
Weight (empty): 7kg / 15.4lbs
Weight (full): 13.3kg / 29.3lbs



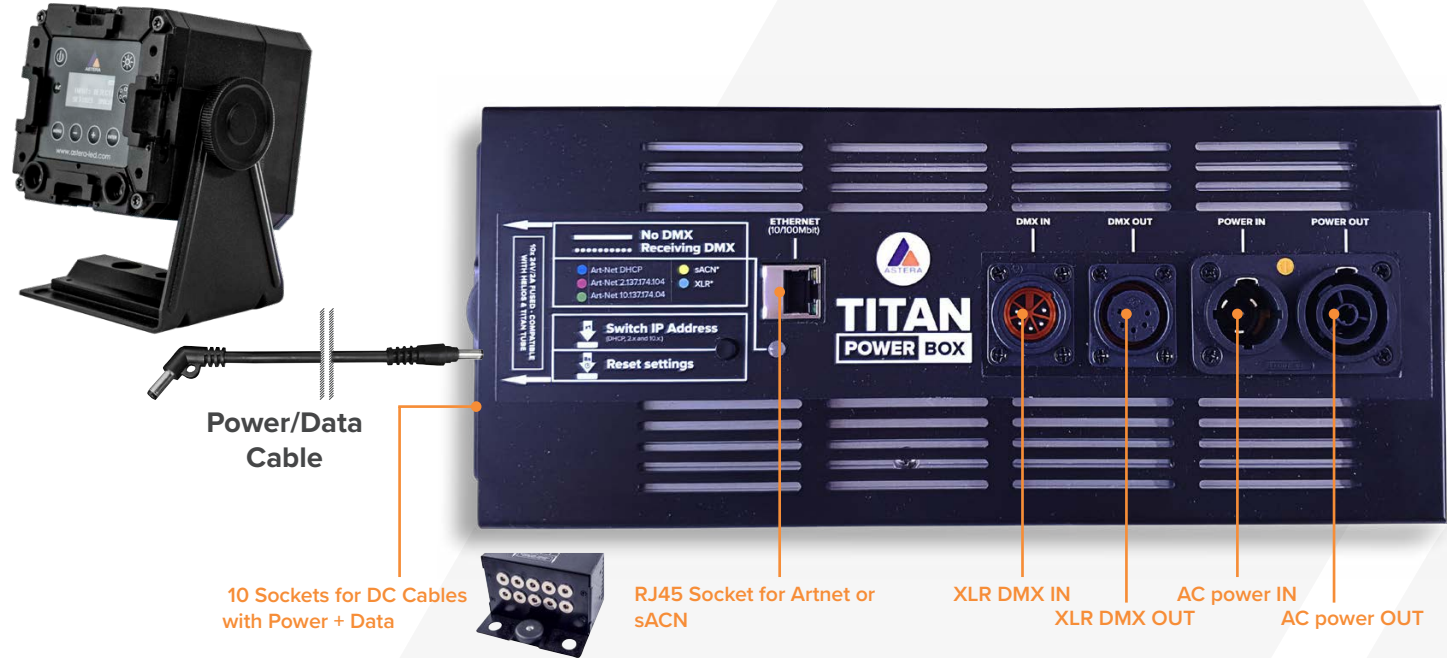
Dimensions (mm/inch)
541.5 x 400 x 205.5 / 21.3 x 17.44 x 8.1

CHARGING & CONNECTING

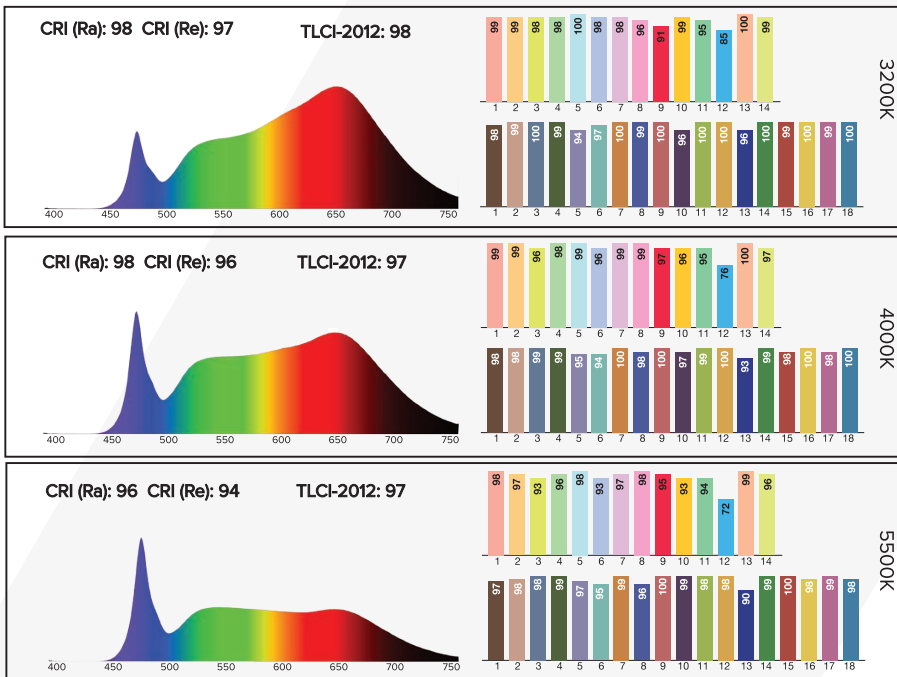
With PowerBox 2x86 (PWB-2-86)



With Titan PowerBox (FP1-PWB)



TYPICAL SPECTRAS



Typical values