

# SKYLINK®

ARRI and Innovative Dimmers have teamed up to create SkyLink: a two-part system that allows for wireless DMX and RDM communication to SkyPanels. The SkyLink Receiver and the SkyLink Base Station use LumenRadio for DMX/RDM communication and a WiFi chip in the Base Station allows for direct control from a DMX control application on a tablet or computer. Setting up a control network has never been easier.

The SkyLink Receiver plugs directly into the DMX port on the back of any SkyPanel and receives power from the USB port directly below the DMX. This compatibility allows for SkyLink to work with all SkyPanel models including the S30, S60, and S120, offering a wireless solution for the entire SkyPanel family. The new SkyPanel S360 already has Wireless DMX built in and works seamlessly with the SkyLink products.

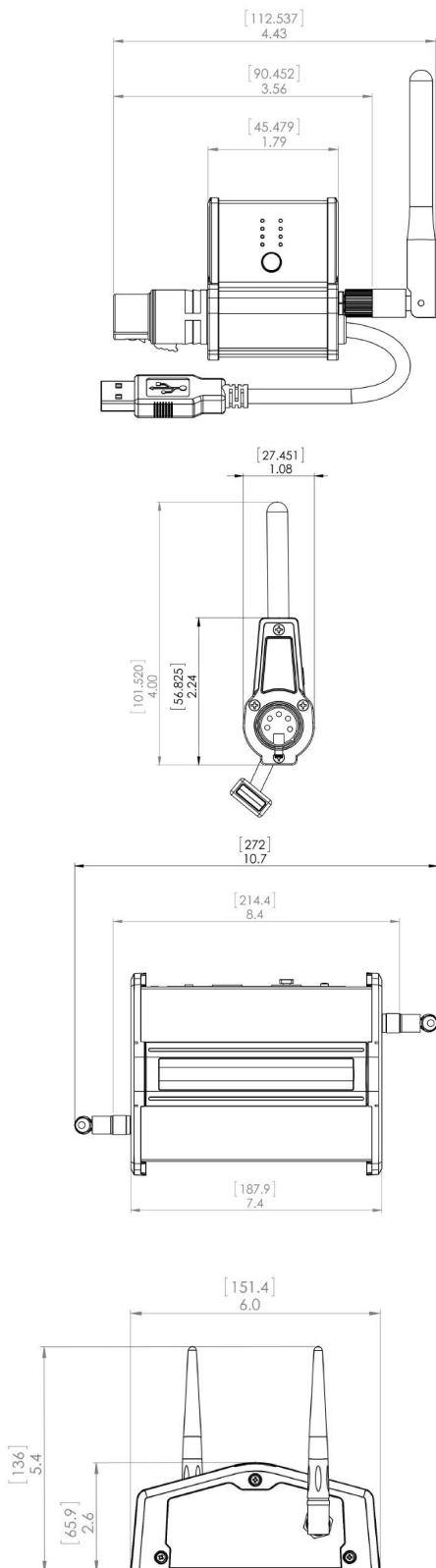
The real wireless magic happens in the SkyLink Base Station. Armed with two wireless chips, the SkyLink Base Station can communicate LumenRadio's CRMX and the international standard of WiFi. Therefore, a tablet or computer can communicate, via WiFi, to the SkyLink Base Station which can, in turn, communicate the reliable CRMX standard to the SkyLink Receiver on the SkyPanel. This communication chain supports new and simple ways of controlling one or many SkyPanels.

ARRI LED products have always included an excellent implementation of RDM (Remote Device Management) in addition to the DMX protocols. RDM allows for two-way communication with the fixture and enables the ability to change all settings on the lamp head remotely. The SkyLink system is fully RDM capable and allows for complete control over all aspects of the SkyPanel.



Order No.	Description
L2.0016357	SkyLink Receiver
L2.0016359	SkyLink Base Station - Edison
L2.0016360	SkyLink Base Station - Schuko
L2.0016361	SkyLink 3 Receiver Kit (w/ Base Station) - Edison
L2.0016362	SkyLink 3 Receiver Kit (w/ Base Station) - Schuko
L2.0016363	SkyLink 10 Receiver Kit (w/ Base Station) - Edison
L2.0016364	SkyLink 10 Receiver Kit (w/ Base Station) - Schuko

# SKYLINK®



## Technical Specifications

SkyLink Receiver	
Wireless Communication	LumenRadio CRMX (DMX/RDM) Receiver
Range	Up to 500 m / 1,640 ft
Frequency Range	2,404 - 2,480 MHz
Weight	0.8 kg / 0.25 lbs
Protocols	DMX-512(A) and RDM ANSI E1.20
Voltage Input	5 V DC
Power Connection	Male USB-A
Antenna Connection	RP-SMA Female
Antenna Type	2dBi RP-SMA Antenna
DMX Connection	XLR 5-Pin Female with 180° rotation
Control	"Unlink" Button for disconnecting from CRMX network
Remote Device Management (RDM)	DMX Setup and Standard RDM commands
Housing Color	Blue/Silver
Ambient Temperature Operation	-20 to +50° C (-4 to +122° F)
Protection Class / IP Rating	III / IP20
Certifications (pending)	CE, CB, ENEC, cNRTLus, FCC, PSE

SkyLink Base Station	
Wireless Communication	LumenRadio CRMX (DMX/RDM) Transmitter & WiFi
Range	CRMX up to 500 m / 1,640 ft WiFi up to 75 m / 246 ft
Frequency Range	2,402 - 2,480 MHz
Protocols	DMX - 512(A), RDM ANSI E1.20, Art-Net, sACN
DMX Connector	XLR 5-Pin Female
DMX Universe Support	One Universe with 512 Channels
Ethernet	EtherCON RJ45 Female
Antenna Connector	Two RP-TNC Female
Antenna Type	2x2 dBi RP-TNC Antenna
Control	"Link" button for linking to CRMX devices Webpage interface for adjusting settings
Power Supply Input Range	100 to 240 V ~, 50/60 Hz
Power Supply Output Range	12 V DC
Power Input Connection	2.5 x 5.5 DC Barrel Connector
Device Input Voltage	5 - 12 V DC
Weight	1.1 kg (2.5 lbs)
Control	On-Board On/Off Switch
Certifications (pending)	CE, CB, ENEC, cNRTLus, PSE
Ambient Temperature Operation	-20° to +50° C (-4 to 122° F)
Protection Class / IP Rating	III / IP20
Housing Color	Blue/Silver

All specifications are nominal / typical values.

# SKYLINK