

# S60-RP

SkyPanel is a compact, ultra-bright and high-quality LED soft light that sets a new standard for the industry. With a design focused on form, color, beam field and output, SkyPanel represents the culmination of more than a decade of research and development of LED technology at ARRI.

SkyPanel is available in two sizes: the S60 and S30. The S60 is a mid-range model, featuring a light aperture of 645 x 300 mm and accommodating the vast majority of applications. The S30 is a smaller, more portable version; half the length of the S60, it is perfect for on-the-go mobile applications. Both models are available in fully color tuneable and remote phosphor versions.

In addition to the fully tuneable color versions of the SkyPanel, remote phosphor versions are also available. To make white LEDs, phosphors are typically placed directly on a single blue LED. Remote phosphor technology uses many powerful blue LEDs to excite a panel coated in phosphors, which is positioned further away from the LEDs. These high-quality phosphors deliver near-perfect color rendition and outstanding light output. The remote phosphor versions of SkyPanel are roughly 10% brighter than the color versions and have a lower price point due to less complex electronics. Different color temperature panels are available, including 2,700 K; 3,200 K; 4,300 K; 5,600 K; 6,500 K; 10,000 and Chroma Green.

Unlike other tuneable fixtures, SkyPanel makes no sacrifice when it comes to light output. SkyPanel puts out a tremendous amount of light, in a soft and uniform beam field. Brighter than a 2 kW tungsten soft light or a 6 kW tungsten space light, the SkyPanel S60 has more than enough light for most applications. At the same time, the lamphead is able to perform beautifully at lower light levels. This range of illumination and color gives users an unprecedented amount of control.

Made in Germany to the high standards for which all ARRI products are known, SkyPanel is built to last – constructed from resilient materials and assembled by hand with great care. Other features include an on-board battery input for mobile applications, LAN port for network connectivity, USB-A port for firmware updates via thumb drive, and many more.

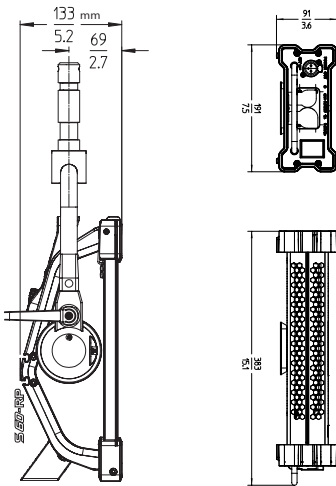
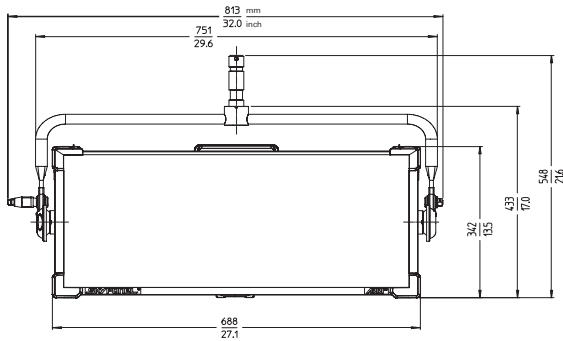


Order No.	Description
L0.0007068	S60-RP, 3200 K, Manual, Blue/Silver, 3m DC Cable, S60 PSU, PSU Rail Mount, Standard Diffusion Panel, Edison powerCON
L0.0007069	S60-RP, 3200 K, Manual, Blue/Silver, 3m DC Cable, S60 PSU, PSU Rail Mount, Standard Diffusion Panel, Schuko powerCON
L0.0007070	S60-RP, 3200 K, Manual, Blue/Silver, 3m DC Cable, S60 PSU, PSU Rail Mount, Standard Diffusion Panel, Chinese powerCON
L0.0007071	S60-RP, 3200 K, Pole Op, Blue/Silver, 1m DC Cable, S60 PSU, PSU Rail Mount, Standard Diffusion Panel, Bare Ends powerCON
L0.0007072	S60-RP, 3200 K, Pole Op, Black, 1m DC Cable, S60 PSU, PSU Rail Mount, Standard Diffusion Panel, Bare Ends powerCON
L0.0007073	S60-RP, 5600 K, Manual, Blue/Silver, 3m DC Cable, S60 PSU, PSU Rail Mount, Standard Diffusion Panel, Edison powerCON
L0.0007074	S60-RP, 5600 K, Manual, Blue/Silver, 3m DC Cable, S60 PSU, PSU Rail Mount, Standard Diffusion Panel, Schuko powerCON
L0.0007075	S60-RP, 5600 K, Manual, Blue/Silver, 3m DC Cable, S60 PSU, PSU Rail Mount, Standard Diffusion Panel, Chinese powerCON
L0.0007076	S60-RP, 5600 K, Pole Op, Blue/Silver, 1m DC Cable, S60 PSU, PSU Rail Mount, Standard Diffusion Panel, Bare Ends powerCON
L0.0007077	S60-RP, 5600 K, Pole Op, Black, 1m DC Cable, S60 PSU, PSU Rail Mount, Standard Diffusion Panel, Bare Ends powerCON

## Photometric Data

	3 m / 9.8 ft	5 m / 16.4 ft	7 m / 23.0 ft	9 m / 29.5 ft
<b>S60-RP</b>				
S60-RP: 2700 K	1036 lx / 96 fc	373 lx / 35 fc	190 lx / 18 fc	115 lx / 11 fc
S60-RP: 3200 K	1103 lx / 103 fc	397 lx / 37 fc	203 lx / 19 fc	123 lx / 11 fc
S60-RP: 4300 K	1238 lx / 115 fc	446 lx / 41 fc	227 lx / 21 fc	138 lx / 13 fc
S60-RP: 5600 K	1250 lx / 116 fc	450 lx / 42 fc	230 lx / 21 fc	139 lx / 13 fc
S60-RP: 6500 K	1244 lx / 116 fc	448 lx / 42 fc	229 lx / 21 fc	138 lx / 13 fc
S60-RP: 10000 K	1288 lx / 120 fc	464 lx / 43 fc	237 lx / 22 fc	143 lx / 13 fc
S60-RP: Chroma Green	2052 lx / 191 fc	739 lx / 69 fc	377 lx / 35 fc	228 lx / 21 fc

**SKYPANEL**  
SOFT LIGHTING | REDEFINED



**Specifications**

Lamphead	
Optical System	Remote Phosphor Panel
Light Aperture	645 x 300 mm / (25.4 x 11.8 inches)
Beam Angle	115° (Half Peak Angle)
Weight	Manual Version: 11.7 kg (25.8 lbs) Pole Op Version: 12.8 kg (28.1 lbs)
Handling	Steel Yoke, High Strength Tilt Lock, Pole Operation Option (Pan & Tilt)
Mounting	28 mm Spigot (Junior Pin)
Tilt Angle	+/- 90°
Lamphead Voltage Input	48 V =
Power Consumption	410 W Nominal, 420 W Maximum
Lamphead Power Connection	Male 3-Pin XLR to 15 amp (Pin 1: Negative / Pin 2: Positive)
Battery Connector	Male 4-Pin XLR to 10 Amp (Pin 1: Negative / Pin 4: Positive)
Battery DC Voltage Range	23 to 36 V =
Battery Mode Light Output	50% of total output
White Light	changeable Remote Phosphors Panels: 2700 K, 3200 K, 4300 K, 5600 K, 6500 K, 10,000 K & Chroma Green
Color Temperature Tolerance	4 to 5 SDCM
Color Rendition	2700K: CRI > 98, TLCI > 98 3200K: CRI > 98, TLCI > 98 4300K: CRI > 97, TLCI > 96 5600K: CRI > 97, TLCI > 96 6500K: CRI > 96, TLCI > 94 10000K: CRI > 92, TLCI > 88
Dimming	0 to 100% continuous
Control	On-Board Controller, 5-Pin DMX In and Through, EtherCon LAN network connectivity, USB-A, Art-Net
Remote Device Management (RDM)	DMX Setup, Hour Counter and Standard RDM commands
Software Interface	Ethernet: DMX Setup, Fixture Status and Firmware Upgrade through PC, Mac USB-A: Software Upgrade via flash drive
Housing Color	Blue/Silver, Black
Ambient Temperature Operation	-20 to +45° C (-4 to +113° F)
IP Rating	IP 20
Estimated LED Lifetime (L70)	50,000 hours
Estimated Color Shift Over Lifetime (CCT)	+/- 5%
Certifications	CE, FCC; GS, cNRTLus, CB

**Power Supply Unit**

Power Supply Input Range	110 to 240 V ~, 50/60 Hz
Power Supply Output Range	48 V =
Power Input Connection	powerCON TRUE1 (Bare Ends / Schuko / Edison cables available)
Power Output Connection	Female 3-Pin XLR - 10 Amp (Pin 1: Negative / Pin 2: Positive) powerCON TRUE1 (mains power through)
Weight	3.5 kg (7.7 lbs)
Dimensions	383 x 192 x 90 mm (15 x 7.6 x 3.5 inch)
Control	On-Board On/Off Switch
Mounting	Super Clamp Attachment / SkyPanel PSU Rail Mount

All specifications are nominal / typical values.