



# Orbiter<sup>®</sup>

Orbiter is an ultra-bright, tunable, and directional LED fixture from ARRI. All systems in Orbiter are completely new and designed with versatility in mind. Orbiter's new six-color light engine delivers a wide-color gamut and outstanding color rendition across all color temperatures along with industry-leading, smooth dimming from 100 to 0%. With its changeable optics, Orbiter can transform into many different types of lampheads including open face, soft light, dome, projection (profile), and other future possibilities. Orbiter is the most advanced luminaire ever created with exciting new technology packed into every fixture. Features such as a fast processor, ample memory, expanded connectivity, built-in array of sensors, weatherproof housing, and many more make Orbiter a formidable machine. Orbiter's state-of-the-art technology and versatile design makes it an optimal lamphead for today and for the future with endless possibilities for updates, configurations, and enhancements.

Changeable optics is the core innovation in Orbiter. With a wide variety of optics to choose from, Orbiter transforms into the perfect light for your application without sacrificing beam, output, or color quality. The Quick Lighting Mount (QLM) in Orbiter allows for optics with vastly different properties to be connected to the fixture.

Orbiter is an extremely bright and powerful, directional LED fixture with an output similar to that of the corresponding HMI systems. Orbiter's high, yet tunable, ARRI Spectra light engine output can create hard shadows with defined edges. This revolutionary light engine is 76 times smaller than the L10's light engine but produces the same power draw and greater output. A dense arrangement of over 200 LEDs gives Orbiter a point source-like aperture while maintaining full-color tunability with a new six-color LED mixture. Including a red, green, blue, amber, cyan, and lime LED, the ARRI Spectra six-color light engine translates into a wider color gamut, more accurate colors, and most importantly, higher color rendition across the entire CCT range. Skin tones look amazing and natural.

### Main Features

- Variety of optics and accessories
- ARRI Spectra six-color, wide gamut light engine
- Powerful output for maximal brightness and perfect colors
- Lighting Operating System (LiOS) with powerful software features
- User programmable quick buttons
- Integrated color sensor for matching ambient light
- Removable, intuitive Control Panel
- Full suite of connectors and sensors
- Perfected smooth dimming to zero
- Internal power supply, wireless DMX, & battery input

### Accessories

- |                    |            |
|--------------------|------------|
| Open Face Optics   | Snoots     |
| Domes              | Barndoors  |
| Softboxes          | SkyLink    |
| Projection Optics* | Rain Cover |
| Fresnel Optics*    | and others |

### Apps

- ARRI Stellar
- ARRI Photometrics App

### Configuration

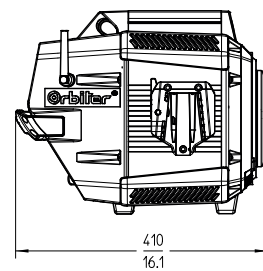
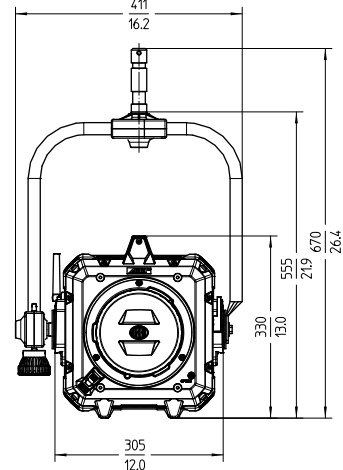
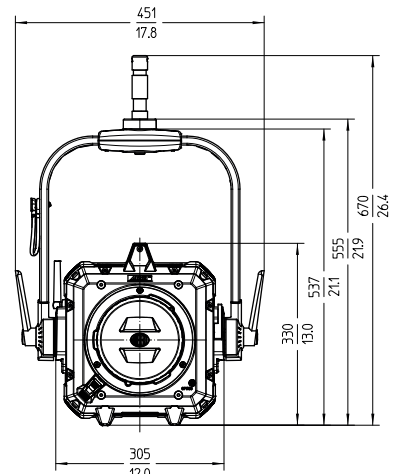


\*in preparation

**Specifications**


Optical System	Changeable optics
Light Aperture	42 mm / 1,66", without optics
Beam Angle	80° half peak angle, without optics
Weight	Fixture only: 11,7 kg / 25.8 lbs Manual version: 14,2 kg / 31.3 lbs Pole op version: 14,9 kg / 32.9 lbs
Handling	Aluminum yoke with quick release, high strength tilt lock, pole operation option (pan and tilt)
Mounting	28 mm spigot (junior pin)
Tilt Angle	+/- 90° in dry location +75° / -90° in wet location with rain cover
Power Consumption	400 W nominal, 500 W maximum
Voltage Input Range	100 - 240 V~, 50 - 60 Hz
Mains Power Connection	powerCON TRUE1 TOP (Bare Ends / Schuko / Edison, Japanese, Chinese cables available)
DC Voltage Range	48 - 52 V <sub>DC</sub>
Battery Connector	3-Pin XLR connector (Pin 1: negative, Pin 2: positive)
White Light	calibrated 2,000 K to 20,000 K continuously variable correlated color temperature
Color Modes	CCT, HSI, RGBACL, x/y coordinates, gel selection, source matching & color sensor plus: extended color control (ECC) for individual finetuning
Color Temperature Tolerance	3.200 to 5.600 K: +/- 100 K (nominal), +/- 1/8 Green-Magenta (nominal)
High Color Rendition Mode	3.200 to 5.600 K: CRI average > 98 TLCI average > 95 TM-30 average > 94
Green-Magenta Adjustment	Continuously adjustable between full minus-green to full plusgreen
Dimming	Smooth, 100 to 0 %, continuously, linear / exponential / logarithmic / „S“ curve
Connectivity	Removable Control Panel via PoE, 5-Pin XLR in and through, EtherCON in and through, 2 x USB-A, USB-C, SD Card, sync input
Control Options	DMX 512 (8 & 16 bit), RDM E1.20, wireless control via LumenRadio CRMX <sup>1</sup> (DMX & RDM), Art-Net, sACN, removable Control Panel, integrated webportal
Housing Color	Blue/silver, black
Ambient Temperature Operation	-20 to +45° C (-4 to +113° F)
Protection Class	I
IP Rating	IP 20 without Rain Cover IP 24 with Rain Cover L2.0037805
Estimated LED Lifetime (L70)	50,000 hours
Estimated Color Shift Over Lifetime (CCT)	+/- 5 %
Certifications & Declarations of conformity	CE, CB, ENEC, cNRTLus, FCC, ICES, KC pending: PSE, SRRC and more


All specifications are typical values. Subject to change without notice.



**Photometrics**

Download ARRI Photometrics from the App Store and Google Play to quickly reference the photometric characteristics of all of the ARRI light fixtures.

	1 m / 3.3 ft		3 m / 9.8 ft		5 m / 16.4 ft		
	HiCRI	HiOut	HiCRI	HiOut	HiCRI	HiOut	
	15.900 lx	16.100 lx	1.780 lx	1.800 lx	640 lx	645 lx	60°
	41.600 lx	44.700 lx	4.620 lx	4.970 lx	1.665 lx	1.790 lx	30°
	130.000 lx	138.000 lx	14.445 lx	15.330 lx	5.200 lx	5.520 lx	15°
	12.082 fc	12.825 fc	1.342 fc	1.425 fc	483 fc	513 fc	
Orbiter with Open Face	3.866 fc	4.154 fc	430 fc	462 fc	155 fc	166 fc	30°
Optics²	1.485 fc	1.490 fc	164 fc	167 fc	59 fc	60 fc	60°

	1 m / 3.3 ft		3 m / 9.8 ft		5 m / 16.4 ft		
	HiCRI	HiOut	HiCRI	HiOut	HiCRI	HiOut	
	20.000 lx	21.000 lx	2.220 lx	2.333 lx	800 lx	840 lx	60°
	54.900 lx	58.000 lx	6.100 lx	6.445 lx	2.195 lx	2.320 lx	30°
	162.000 lx	178.000 lx	18.000 lx	19.780 lx	6.480 lx	7.120 lx	15°
	15.056 fc	16.543 fc	1.673 fc	1.838 fc	602 fc	662 fc	
Orbiter with Open Face	5.102 fc	5.390 fc	567 fc	599 fc	204 fc	216 fc	30°
Optics²	1.859 fc	1.952 fc	206 fc	217 fc	74 fc	78 fc	60°

<sup>1</sup> Brand: LumenRadio AB, Equipment: CRMX TiMo, Model: 200-1502, Product: Orbiter 2.4G Wireless Control Module, Frequency Range: 2402 - 2480 MHz, Frequency of Operation: 2402 - 2480 MHz, Power Output: 17.51 dBm, Number of Channels: 79, Channel Spacing: 1 MHz, Modulation Type: GFSK  
<sup>2</sup> Only 30° Open Face optic depicted.